

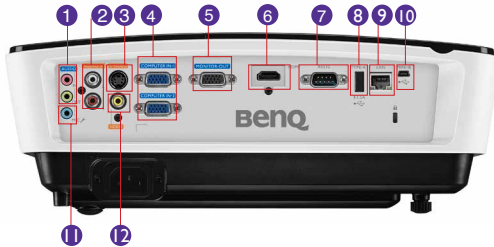


Features

- Native XGA Resolution (1024x768)
- 3,700 ANSI Lumens
- 13,000:1 Contrast Ratio
- SmartEco™ Power Saving Technology
- 2D Keystone with Corner Fit
- LAN Control and Display
- Optional Wireless Display



Input and Output Terminals



- | | |
|------------------------------------|-----------------------------|
| 1 Audio In & Out (Mini Jack) | 7 RS232 (DB-9pin) |
| 2 Audio in (L/R) | 8 USB (Type A) |
| 3 S-Video (Mini DIN 4-pin) | 9 LAN |
| 4 Computer In -1 / 2 (D-sub 15pin) | 10 USB (Type mini-B) |
| 5 Monitor Out (D-sub 15pin) | 11 Mic |
| 6 HDMI | 12 Composite Video in (RCA) |

Specifications

Projection System	DLP
Native Resolution	XGA (1024x768)
Brightness	3,700 ANSI Lumen
Contrast Ratio	13,000:1
Display Color	1.07 Billion Colors
Lens	F=2.5~3.12, f=16~25.46mm
Aspect Ratio	Native 4:3 (5 aspect ratio selectable)
Throw Ratio	1.4~2.3 (Wide 60°±3% @ 1.7m)
Image Size Diagonal	60"~300"
Zoom Ratio	1.6:1
Lamp Type	260W
Lamp(Normal/Economic/SmartEco Mode)*	2000/3500/5000 hours
Keystone Adjustment	2D, Horizontal +/- 30 degrees, Vertical +/- 30 degrees
Projection Offset	130%±5%
Resolution Support	VGA(640 x 480) to UXGA(1600 x 1200)
Horizontal Frequency	15~102KHz
Vertical Scan Rate	23~120Hz
Compatibility	HDTV Compatibility: 480i, 480p, 576i, 576p, 720p, 1080i, 1080p Video Compatibility: NTSC, PAL, SECAM
Interface	Computer in (D-sub 15pin) x 2(Share with component) Monitor out (D-sub 15pin) x 1 Composite Video in (RCA) x 1 S-Video in (Mini DIN 4pin) x 1 HDMI x 1 Audio in (RCA) x 1 Audio in (Mini Jack) x 1 Audio out (Mini Jack) x 1 Speaker 10W x 1 Microphone (Mini Jack) x 1 USB (Type mini B) x 1 (Download & page/down) USB (Type A) x 1 (Charger) LAN (RJ45) x 1 RS232 (DB-9pin) x 1 IR Receiver x 1
Dimensions (WxHxD)	12.8" x 5.3" x 9.1"
Weight	5.73 lbs (2.6kg)
Power Supply	AC100 to 240 V, 50 to 60 Hz
Power Consumption	310W (Normal), 270W(Eco), Standby<0.5W
Audible Noise	35/33 dBA (Normal/Economic mode)
On-Screen Display Languages	Arabic/Bulgarian/ Croatian/ Czech/ Danish/ Dutch/ English/ Finnish/ French/ German/ Greek/ Hindi/ Hungarian/ Italian/ Indonesian/ Japanese/ Korean/ Norwegian/ Polish/ Portuguese/ Romanian/ Russian/ Simplified Chinese/Spanish/ Swedish/ Turkish/ Thai/ Traditional Chinese (28 Languages)
Picture Mode	Dynamic/Presentation/sRGB/Cinema/User 1/User 2
Accessories (Standard)	Lens Cover, Remote Control w/ Battery, Power Cord, User Manual CD, Quick Start Guide, Warranty Card, VGA(D-sub 15pin) Cable
Accessories (Optional)	Spare Lamp Kit P/N:5J.JCV05.001 Ceiling Mount P/N: 5J.J4N10.001 3D Glasses P/N: 5J.J9H25.001
UPC Code / Part #	8400460-3097-1 / 9H.JCV77.33A
Limited Warranty	3 Years Parts & Labor / 1 Year or 2,000 hours of lamp life

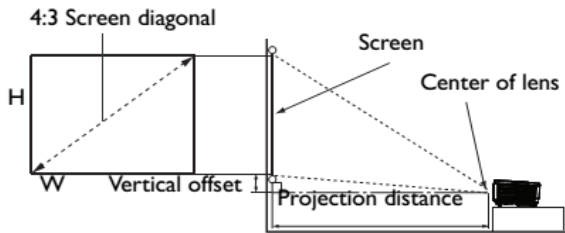
*Lamp life results will vary depending on environmental conditions and usage. Actual product's features and specifications are subject to change without notice.



MX723 12-02-14-BQus

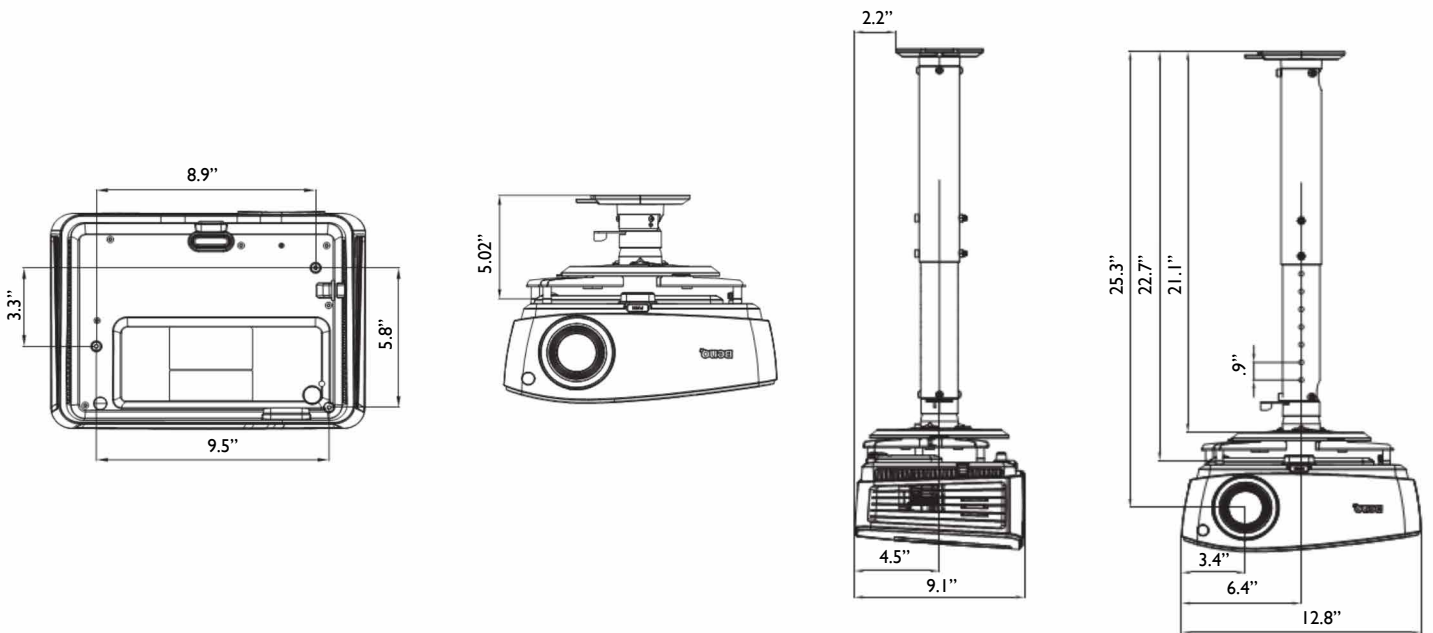
MX723 Digital Projector

Distance Chart



Screen Size				Distance from screen (inch)			Vertical offset (inch)
Diagonal	Width	Height	Min distance (max. zoom)	Average	Max length (min. zoom)		
Inch	mm	(inch)	(inch)				
40	1016	32	12	44.8	60.7	76.8	3.5
60	1524	48	36	67.2	91.1	115.1	5.3
80	2032	64	48	89.6	121.6	153.5	7.2
100	2540	80	60	112.0	152.0	192.0	9.0
120	3048	96	72	134.4	182.4	230.3	10.7
150	3810	120	90	167.9	227.9	287.9	13.5
200	5080	160	120	224.0	304.0	384.0	17.9
250	6350	200	150	280.0	380.0	480.0	22.5
300	7620	240	180	335.9	45.9	575.9	27.0

Ceiling Mount Chart



Dimensions

Units: inch



Because it matters