

PROFESSIONAL PROJECTOR | SH963

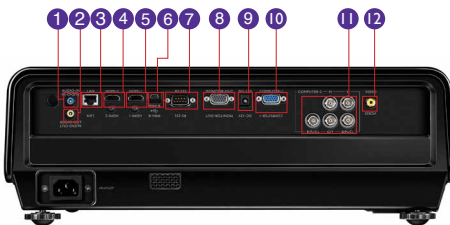


Features

- Native Full HD (1920x1080) Resolution
- 6,000 ANSI Lumens, 8,300:1 Contrast Ratio
- Dual Lamp Design
- H+V Lens Shift and Keystone, 1.5x Zoom
- HDMI x2, RJ45 (LAN Control)



Input and Output Terminals



- | | |
|-------------------------|------------------------------|
| 1 Audio In (Mini Jack) | 7 RS232 (DB-9pin) |
| 2 Audio Out (Mini Jack) | 8 Monitor Out (D-sub 15pin) |
| 3 LAN (RJ45) | 9 DC 12V Trigger (3.5mm) |
| 4 HDMI-2 | 10 Computer In (D-sub 15pin) |
| 5 HDMI-1 | 11 Component Video in (5BNC) |
| 6 USB Mini B | 12 Composite Video In (RCA) |

Specifications

Projection System	DLP®
Native Resolution	1080p (1920 x 1080)
Brightness	6,000 AL
Contrast Ratio	8,300:1
Display Color	1.07 Billion Colors
Lens	F=2.48~2.81, f=24.1~36.15mm
Aspect Ratio	Native 16:9 (5 aspect ratio selectable)
Throw Ratio	1.62~2.43 (55.7" @ 2m)
Image Size Diagonal	28"~300"
Zoom Ratio	1.5:1
Lamp Type	350W x 2
Lamp Life (Normal/Eco Mode)	2000/2500 hours
Keystone Adjustment	2D, Vertical & Horizontal ± 30 degrees
Projection Offset	Vertical: ±120%(±5%); Horizontal: ±40%(±5%)
Resolution Support	VGA(640 x 480) to WUXGA_RB(1920 x 1200) *RB=Reduced Blanking
Horizontal Frequency	31K~92KHz
Vertical Scan Rate	23~85Hz
HDTV Compatibility	480i, 480p, 576i, 576p, 720p, 1080i, 1080p
Video Compatibility	NTSC, PAL, SECAM
Interface	Computer In (D-Sub 15pin) x1 Monitor Out (D-Sub 15 pin) x1 HDMI x2 Component Video in (5BNC) x1 Composite Video in (RCA) x1 Audio in (Mini Jack) x1 Audio out (Mini Jack) x1 Speaker 10W x1 LAN (RJ45) x1 (LAN Control) USB (Type Mini B) x1 (Download) 12V Trigger x1 RS232 (DB-9pin) x1 IR Receiver x2 (Front+Rear)
Dimensions (WxHxD)	17.4" x 6.57" x 13.9" / 443 x 167 x 355 mm
Weight	28.66 lbs / 13kgs
Power Supply	AC100 to 240 V, 50 to 60 Hz
Power Consumption	940W (typical), Standby<0.5W
Audible Noise	44/40/41/38 db (Dual Brightness / Dual Reliable / Single Alternative / Single Eco)
On-Screen Display Languages	English/ French/ German/ Italian/ Spanish/ Russian/ Traditional Chinese/ Simplified Chinese/Japanese/ Korean/ Swedish/ Dutch/ Turkish/ Czech/ Portuguese / Thai/ Polish (17 Languages)
Picture Mode	Dynamic/Presentation/sRGB/Cinema/User 1/User 2
Accessories (Standard)	Remote Control w/ Battery, Power Cord, User Manual CD, Quick Start Guide, Warranty Card, VGA(D-sub 15pin) Cable
Accessories (Optional)	Spare Lamp Kit Lamp #1 P/N: 5J.J8C05.001 Lamp #2 P/N: 5J.J8C05.002 Ceiling Mount P/N: 5J.JAM10.001 Remote P/N: 5J.J8A06.001
UPC Code / Part #	8400460-2639-4 / 9H.J8C77.15A
Limited Warranty	3-Years Parts & Labor / 1-Year or 2000 hours of lamp life

*Lamp life results will vary depending on environmental conditions and usage. Actual product's features and specifications are subject to change without notice.



BenQ.us • BenQ.ca

BenQ is a registered trademark of BenQ Corp. All rights reserved. Product names, logos, brands, and other trademarks featured or referred to in this material are the property of their respective trademark holders. Specifications subject to change without notice.

SH963 | 12315

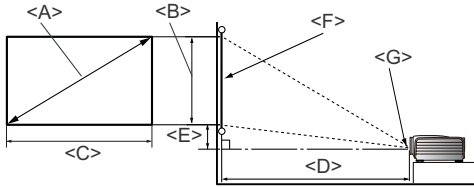


Because it matters

SH963 Digital Projector

Distance Chart

Floor Installation



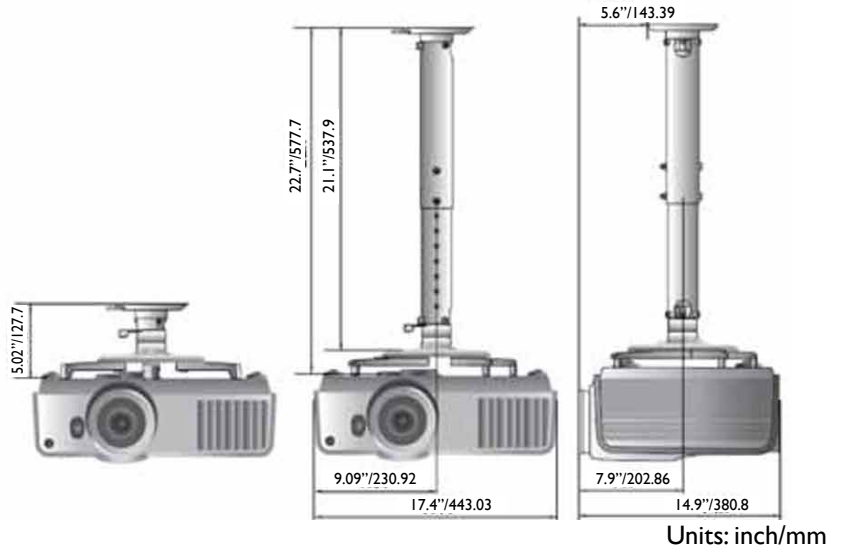
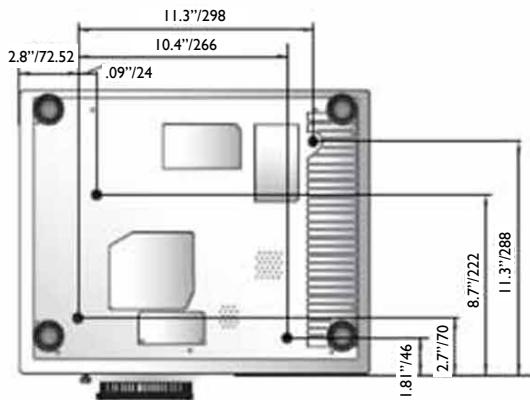
<F>: Screen

<G>: Center of lens

Screen dimensions			Projection distance <D> [inch/mm]			Lowest/Highest lens position <E> [mm]
Diagonal <A> [inch (mm)]	Height [inch/mm]	Width <C> [inch/mm]	Min distance (with max zoom)	Average	Max distance (with min zoom)	
30 (762)	14 / 370	26 / 660	42.5 / 1080	53.1 / 1350	63.8 / 1620	1.8 / 47
40 (1016)	20 / 500	35 / 890	56.6 / 1440	70.8 / 1800	84.6 / 2150	2.3 / 60
50 (1270)	24 / 620	44 / 1110	70.8 / 1800	88.1 / 2240	105.9 / 2690	3.1 / 80
60 (1524)	52 / 750	52 / 1330	84.6 / 2150	105.9 / 2690	127.1 / 3230	3.5 / 90
70 (1778)	61 / 870	61 / 1550	98.8 / 2510	123.6 / 3140	148.4 / 3770	4. / 110
80 (2032)	70 / 1000	70 / 1770	112.9 / 2870	141.3 / 3590	169.6 / 4310	4.7 / 120
90 (2286)	78 / 1120	78 / 1990	127.1 / 3230	159.0 / 4040	190.9 / 4850	5.5 / 140
100 (2540)	87 / 1250	87 / 2210	141.3 / 3590	176.7 / 4490	212.2 / 5390	6.3 / 160
110 (2794)	54 / 1370	96 / 2430	194.8 / 4950	194.4 / 4940	233.0 / 5920	6.6 / 170
120 (3048)	58 / 1490	104 / 2660	169.6 / 4310	212.2 / 5390	254.3 / 6460	7.4 / 190
130 (3302)	64 / 1620	113 / 2880	183.8 / 4670	229.5 / 5830	275.5 / 7000	7.8 / 200
140 (3556)	68 / 1740	122 / 3100	198.0 / 5030	247.2 / 6280	296.8 / 7540	8.6 / 220
150 (3810)	74 / 1870	130 / 3320	212.2 / 5390	264.9 / 6730	318.1 / 8080	9.1 / 230
160 (4064)	78 / 1990	140 / 3540	226.3 / 5750	282.6 / 7180	339.3 / 8620	9.8 / 250
170 (4318)	84 / 2120	148 / 3760	240.1 / 6100	300.3 / 7630	360.6 / 9160	10.2 / 260
180 (4572)	88 / 2240	156 / 3980	254.3 / 6460	318.1 / 8080	381.4 / 9690	11.0 / 280
190 (4826)	93 / 2370	166 / 4210	268.5 / 6820	335.8 / 8530	402.7 / 10230	11.8 / 300
200 (5080)	98 / 2490	174 / 4430	282.6 / 7180	353.5 / 8980	424.0 / 10770	12.2 / 310
250 (6350)	122 / 3110	218 / 5530	353.5 / 8980	441.7 / 11220	529.9 / 13460	15.3 / 390
300 (7620)	147 / 3740	261 / 6640	424 / 10770	529.9 / 13460	636.2 / 16160	18.5 / 470

Ceiling Mount Chart

Ceiling Mount Screws M6 x 8 (Max. L-8 mm)



Units: inch/mm

Dimensions



Units: inch/mm



Because it matters