

DIGITAL PROJECTOR | SH940



Features

- Native Full HD (1920x1080) Resolution
- 4000 ANSI Lumens, 50,000:1 Contrast Ratio
- HQV Image Processor, True Pixel-by-Pixel
- H+V Lens Shift, 1.5 Big Zoom, 2D Keystone
- HDMI x 2, RJ45 x 1 (LAN Control)



Input and Output Terminals



- | | |
|--------------------------------|---------------------------------|
| 1 LAN (RJ45) | 7 Component Video in (5BNC) x 1 |
| 2 HDMI x 2 | 8 Computer In (D-sub 15pin) |
| 3 Composite Video in (RCA) x 1 | 9 Monitor Out (D-sub 15pin) |
| 4 USB (Type Mini B) | 10 Audio In (Mini Jack) |
| 5 RS232 (DB-9pin) | 11 Audio Out (Mini Jack) |
| 6 DC 12V Trigger (3.5mm) | |

Specifications

Projection System	DLP®
Native Resolution	1080p (1920 x 1080)
Brightness	4000AL
Contrast Ratio	50000:1
Display Color	1.07 Billion Colors
Lens	F=2.48~2.81, f=24.1~36.15mm
Aspect Ratio	Native 16:9 (5 aspect ratio selectable)
Throw Ratio	1.62~2.43(55.7" @ 2m)
Image Size Diagonal	30"~300"
Zoom Ratio	1.5:1
Lamp Type	300W
Lamp Life (Normal/Eco Mode)*	2000/3000 hours
Keystone Adjustment	2D, Vertical & Horizontal ± 30 degrees
Lens Shift	Vertical 115% ~ 125% +/- 5%; Horizontal: 35% ~ 45%
Projection Offset	Same as Lens Shift
Resolution Support	VGA(640 x 480) to WUXGA_RB(1920 x 1200) *RB=Reduced Blanking
Horizontal Frequency	31K~92KHz
Vertical Scan Rate	23~85Hz
HDTV Compatibility	480i, 480p, 576i, 576p, 720p, 1080i, 1080p
Video Compatibility	NTSC, PAL, SECAM
Interface	Computer in (D-sub 15pin) x 1 (Share with component) Monitor out (D-sub 15pin) x 1 HDMI x 2 Component Video in (5BNC) x 1 Composite Video in (RCA) x 1 Audio in (Mini Jack) x 1 Audio out (Mini Jack) x 1 Speaker 10W x 1 LAN (RJ45) x 1 (LAN Control) USB (Type Mini B) x 1 (Page up down & Download) 12V Trigger x 1 RS232 (DB-9pin) x 1 IR Receiver x 2 (Front+Rear)
Dimensions (WxHxD)	16.8" x 6.7" x 12.5" / 428 x 169 x 318mm (including adjust foot)
Weight	15.87 lbs / 7.2 kgs
Power Supply	AC 100 to 240 V, 50/60 Hz
Power Consumption	442W(typical), Standby<0.5W
Audible Noise	36/33 dBA (Normal/Economic mode)
On-Screen Display Languages	English/French/German/Italian/Spanish/Russian/Traditional Chinese/Simplified Chinese/Japanese/Korean/Swedish/Dutch/Turkish/Czech/Portuguese/Thai/Polish
Picture Mode	Dynamic/Presentation/sRGB/Cinema/User 1/User 2
Accessories (Standard)	Remote Control w/ Battery, Power Cord (by region), User Manual CD, Quick Start Guide, Warranty Card (by region), VGA(D-sub 15pin) Cable
Accessories (Optional)	Spare Lamp Kit P/N: 5J.J8A05.001 Ceiling Mount P/N: 5J.JAM10.001
UPC Code / P/N	8400460-2638-7 / 9H.J8A77.15A
Limited Warranty	3 years parts & labor / 1 year or 2000 hours lamp life

*Lamp life results will vary depending on environmental conditions and usage. Actual product's features and specifications are subject to change without notice.



BenQ.us • BenQ.ca

BenQ is a registered trademark of BenQ Corp. All rights reserved. Product names, logos, brands, and other trademarks featured or referred to in this material are the property of their respective trademark holders. Specifications subject to change without notice.
SH940 | 12315



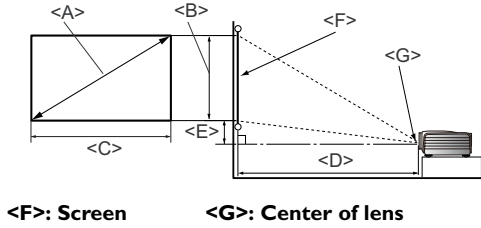
Because it matters

SH940 Digital Projector

Distance Chart

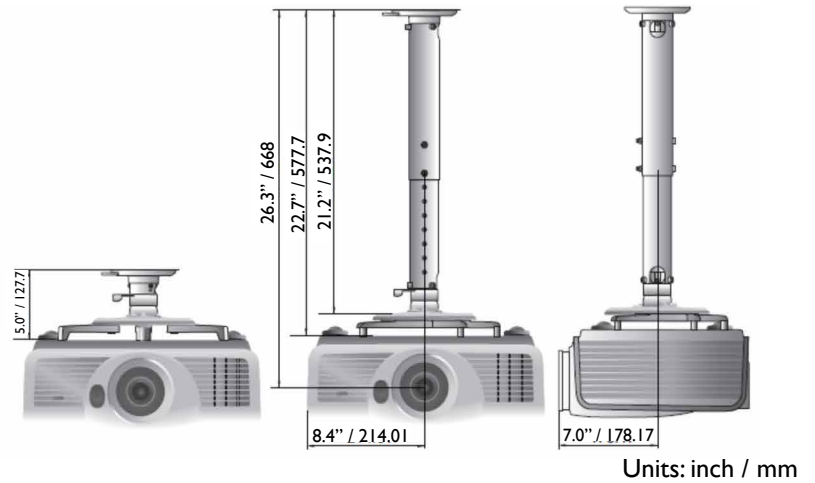
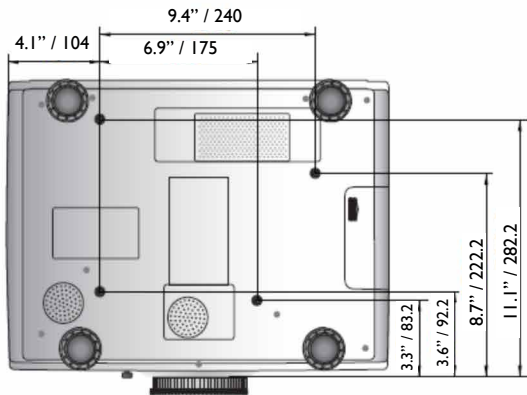
Screen dimensions			Projection distance <D> [inch/cm]			Lowest/Highest lens position <E> [cm]
Diagonal <A> [inch (mm)]	Height [inch/cm]	Width <C> [inch/cm]	Min distance (with max zoom)	Average	Max distance (with min zoom)	
30 (762)	15 / 37	26 / 66	43 / 108	53 / 135	64 / 162	1.85 / 4.7
40 (1016)	19 / 50	35 / 89	57 / 144	71 / 180	85 / 215	2.36 / 6
50 (1270)	24 / 62	44 / 111	71 / 180	88 / 224	106 / 269	3.15 / 8
60 (1524)	30 / 75	52 / 133	84 / 215	106 / 269	127 / 323	3.54 / 9
70 (1778)	34 / 87	61 / 155	99 / 251	124 / 314	148 / 377	4.33 / 11
80 (2032)	39 / 100	70 / 177	113 / 287	141 / 359	170 / 431	4.72 / 12
90 (2286)	44 / 112	78 / 199	127 / 323	159 / 404	191 / 485	5.51 / 14
100 (2540)	49 / 125	87 / 221	141 / 359	177 / 449	212 / 539	6.30 / 16
110 (2794)	54 / 137	95 / 243	156 / 395	194 / 494	233 / 592	6.69 / 17
120 (3048)	59 / 149	104 / 266	170 / 431	212 / 539	254 / 646	7.48 / 19
130 (3302)	64 / 162	113 / 288	184 / 467	230 / 583	276 / 700	7.87 / 20
140 (3556)	69 / 174	122 / 310	198 / 503	247 / 628	297 / 754	8.66 / 22
150 (3810)	74 / 187	130 / 332	212 / 539	265 / 673	318 / 808	9.06 / 23
160 (4064)	78 / 199	139 / 354	226 / 575	283 / 718	339 / 862	9.84 / 25
170 (4318)	83 / 212	148 / 376	240 / 610	300 / 763	361 / 916	10.23 / 26
180 (4572)	88 / 224	156 / 398	254 / 646	318 / 808	381 / 969	11.02 / 28
190 (4826)	93 / 237	165 / 421	269 / 682	336 / 853	403 / 1023	11.81 / 30
200 (5080)	98 / 249	174 / 443	283 / 718	354 / 898	424 / 1077	12.20 / 31
250 (6350)	122 / 311	218 / 553	354 / 898	442 / 1122	530 / 1346	15.35 / 39
300 (7620)	147 / 374	261 / 664	424 / 1077	530 / 1346	636 / 1616	18.50 / 47

Floor Installation



Ceiling Mount Chart

Ceiling Mount Screws M6 (Max. L = 25 mm; Min. L=20 mm)



Dimensions



Because it matters