

DIGITAL
PROJECTOR

MW769

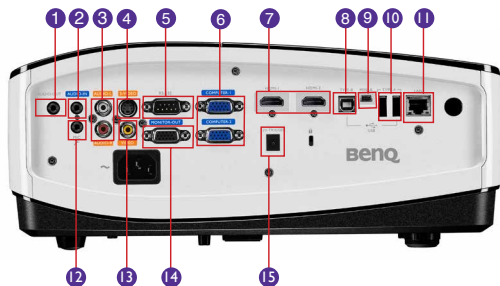


Features

- Native WXGA (1280 x 800) Resolution
- 4,200 ANSI Lumens, 13,000:1 High Contrast Ratio
- SmartEco™ Power Saving Technology
- Full 3D Ready and nVidia 3DTV Play
- Big Zoom Ratio: 1.5x
- Full LAN & Wireless Display



Input and Output Terminals



- | | |
|-----------------------------------|------------------------------|
| 1 Audio out (Mini Jack) | 9 USB (Type Mini B) |
| 2 Audio in (Mini Jack) | 10 USB (Type A) x 2 |
| 3 Audio in (L/R) | 11 LAN |
| 4 S-Video In (Mini DIN 4pin) | 12 Microphone in (Mini jack) |
| 5 RS232 (DB-9pin) | 13 Composite Video in (RCA) |
| 6 Computer in 1 & 2 (D-sub 15pin) | 14 Monitor Out (D-sub 15pin) |
| 7 HDMI x 2 | 15 DC 12V Trigger |
| 8 USB (Type B) | |



Specifications

Projection System	DLP®
Native Resolution	WXGA(1280x800)
Brightness	4200 ANSI Lumen
Contrast Ratio	13000:1
Display Color	1.07 Billion Colors
Lens	F=2.42~2.97, f=20.7~31.05mm
Aspect Ratio	Native 16:10 (5 aspect ratio selectable)
Throw Ratio	1.45~2.17
Image Size (Diagonal)	31" ~ 300"
Zoom Ratio	1.5x
Lamp Type	310W
Lamp (Normal/Economic Mode)*	2500/3000/3500 hours
Keystone Adjustment	2D, V +/- 30 degree, H +/- 25 degree
Projection Offset	Vertical: 125% ±5%
Resolution Support	VGA(640 x 480) to WUXGA_RB(1920 x 1200) *RB = Reduced blanking
Horizontal Frequency	15K-102KHz
Vertical Scan Rate	23-120Hz
Compatibility	HDTV Compatibility: 480i, 480p, 576i, 576p, 720p, 1080i, 1080p Video Compatibility: NTSC, PAL, SECAM, 3D Compatibility: Frame Sequential: Up to 60Hz 720p Frame Packing: Up to 24 Hz 1080p Side by Side: Up to 24Hz 1080p Top Bottom: Up to 60Hz 1080p
Interface	Computer in (D-sub 15pin) x 2 HDMI x 2 Monitor out x 1 Composite Video in (RCA) x 1 S-Video in x 1 Audio in (Mini Jack) x 1 Audio in (L/R) x 1 Microphone in (Mini jack) x 1 Audio out (Mini Jack) x 1 Speaker 20W x 1 LAN (RJ-45) x 1 USB (Type A) x 2 USB (Type B) x 1 USB (Type Mini B) x 1 DC 12V Trigger (3.5mm Jack) x 1 RS232 (DB-9pin) x 1 IR Receiver x 2 (Front + Rear)
Dimensions (WxHxD)	12.9" x 5.4" x 10.1" / 329 x 137.2 x 256.2 mm
Weight	8.6 lbs / 3.9 Kg
Power Supply	AC100 to 240V, 3.8A, 50 to 60 Hz
Power Consumption	400W(Normal), 340W(Eco), Standby<0.5W
Audible Noise	36/34 dBA (Normal/Economic mode)
Languages	Arabic/Bulgarian/ Croatian/ Czech/ Danish/ Dutch/ English/ Finnish/ French/ German/ Greek/ Hindi/ Hungarian/ Italian/ Indonesian/ Japanese/ Korean/ Norwegian/ Polish/ Portuguese/ Romanian/ Russian/ Simplified Chinese/Spanish/ Swedish/ Turkish/ Thai/ Traditional Chinese (28 Languages)
Picture Mode	Dynamic/Presentation/sRGB/Cinema/(3D)/User 1/User 2
Accessories (Standard)	Remote Control w/ Battery, Power Cord, User Manual CD, QSG, Warranty Card, VGA Cable, Lens Cover, Carry Bag
Accessories (Optional)	Spare Lamp Kit P/N: 5J.J6R05.001 Ceiling Mount Kit P/N: 5J.J4N10.001 Remote P/N: 5J.JA606.001 Wireless Dongle WDRT8192 P/N: 5J.J3F28.A01
UPC / Part #	8400460-2895-4 / 9H.JAA77.34A
Limited Warranty	3 Years Parts/Labor or 2,000 hours of lamp life.

*Lamp life results will vary depending on environmental conditions and usage. Actual product's features and specifications are subject to change without notice.



BenQ.us • BenQ.ca

BenQ is a registered trademark of BenQ Corp. All rights reserved. Product names, logos, brands, and other trademarks featured or referred to in this material are the property of their respective trademark holders. Specifications subject to change without notice.
MW769_Datasheet_111615

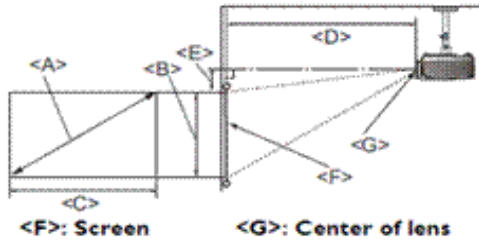


Because it matters

MW769 Digital Projector

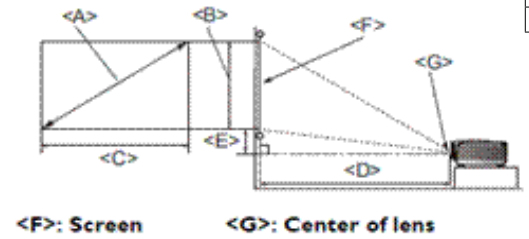
Distance Chart

Ceiling Installation



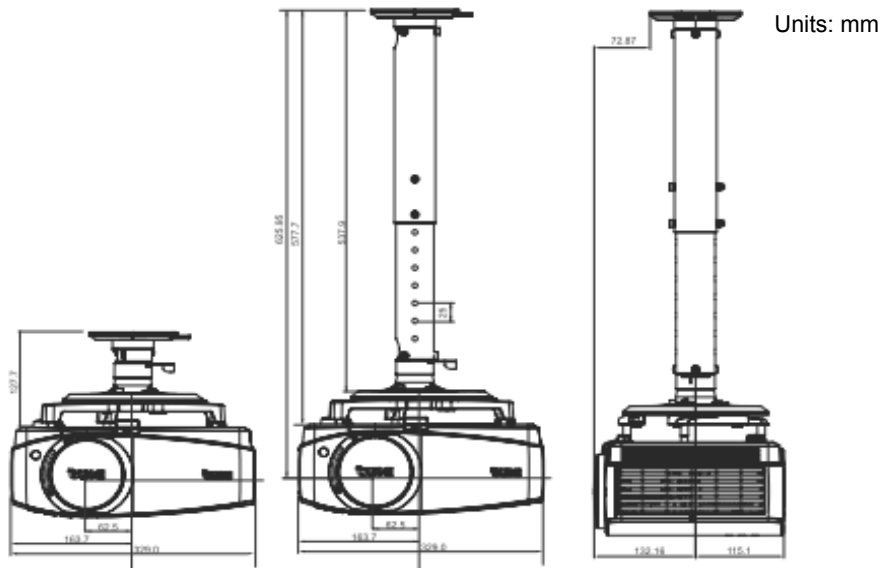
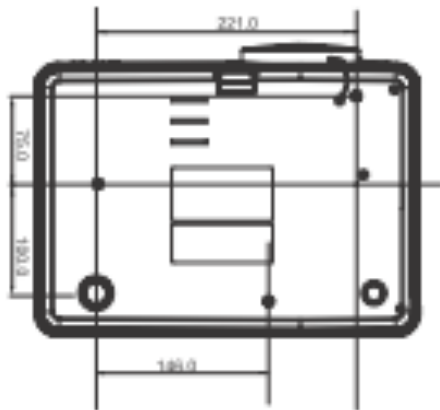
Diagonal		Image Size			Distance from Screen (inch/mm)						Offset (inch/mm)		
		Width (inch/mm)		Height (inch/mm)	Min Length (max. zoom)		Average		Max Length (min. zoom)				
30	762	25.4	646	15.9	404	36.8	937	46.1	1170	55.2	1170	1.9	50
40	1016	33.9	862	21.2	538	49.1	1249	61.3	1559	73.6	1559	2.6	67
60	1524	50.8	1292	31.8	808	73.7	1874	92.1	2339	110.4	2339	3.9	101
80	2032	67.8	1723	42.4	1077	98.4	2499	122.7	3119	147.2	3119	5.3	135
100	2540	84.8	2154	52.9	1346	122.9	3123	153.5	3899	184.0	3899	6.6	168
150	3810	127.2	3231	79.4	2019	184.4	4685	230.2	5848	276.2	5848	9.9	252
200	5080	169.6	4308	105.9	2692	245.9	6246	306.9	7797	368.0	7797	13.2	337
250	6350	212.0	5385	132.4	3365	307.4	7808	383.7	9746	460.0	9746	16.5	421

Floor Installation



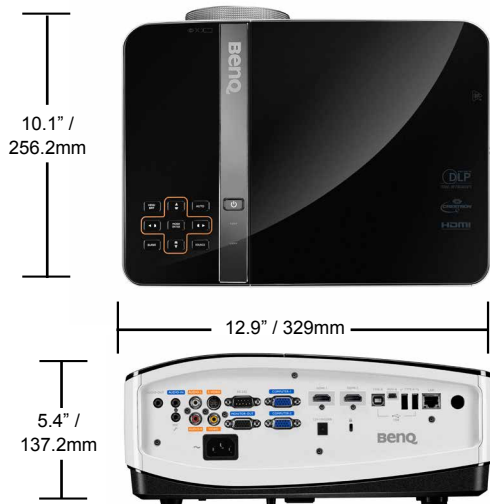
Ceiling Mount Chart

Ceiling Mount Screws: M4
(Max. L = 25 mm; Min L + 20mm)



Dimensions

Units: inch / mm



Because it matters