

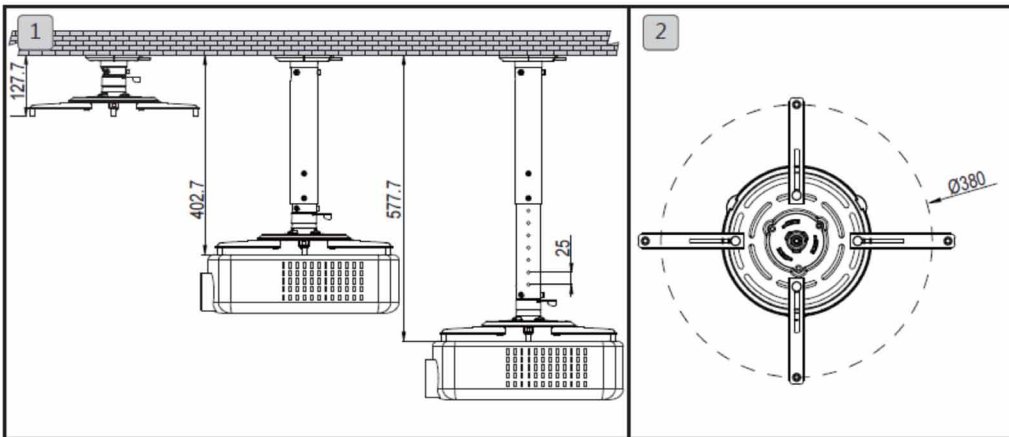
Universal Ceiling Mount

Specifications

Model Name	CM00G2
Part Number	5J.J4N10.001
UPC	8400460-2532-8
Material	Steel/ Aluminum Alloy
Weight	4.56lbs (2.07kg)
Length	5.02 ~ 22.7 (each spaced .98" apart)
Rotation Angle	360°
Tilt Angle	+/-25°
Load	33lbs (15kg)
Screw Type	M3,M4,M5,M6

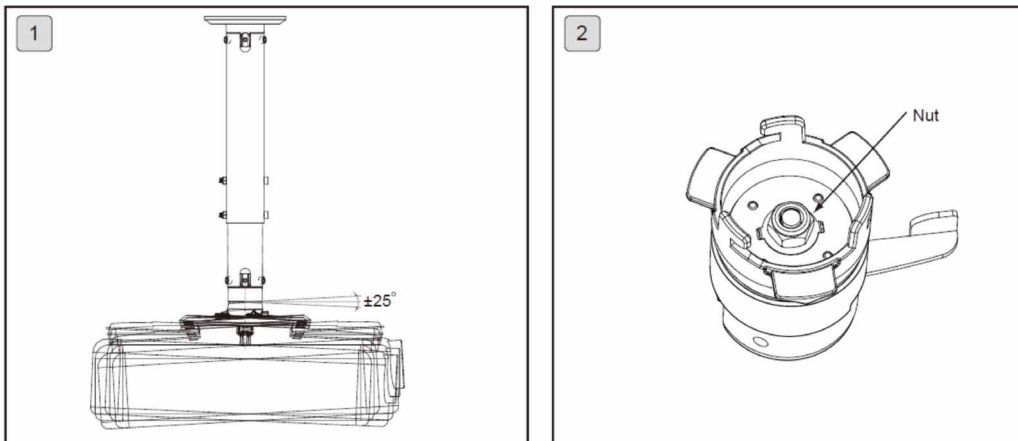
Extension Column Length (Includes all BenQ projectors except CP220 & GP Series)

1. Adjustable Height: column connector extends 5" - 22.7" (increments of .98")
2. Fits projectors with a mounting hole less than 15" diameter.



Angled Ceiling Adjustments

1. Angled ceiling compensation adjustable by +/- 25 degrees.
2. Tighten nut to secure angle adjustments before aligning the hinge module.



CeilingMount 07-24-12BQus

BenQ America Corp.
15375 Barranca Parkway, Suite A-205, Irvine, CA 92618 ☎ Tel: (949) 255-9500 🌐 www.BenQ.us

BenQ is a registered trademark of BenQ Corp. All rights reserved.
Product names, logos, brands, and other trademarks featured or referred to in this materials are the property of their respective trademark holders.
Specifications subject to change without notice.

BenQ
Enjoyment Matters