



**Model Name** **W1500 Home Entertainment Projector**

**Unique selling point** **Trade Mark**

- \* Perfect for home entertainment
- \* Cable free
  - Built-in two 10W Big Speakers w/ SRS
  - Built-in Uncompressed Wireless FHD (WHDI)
- \* Easy Setup
  - Vertical Lens Shift (110%-130%±5%)
  - Big Zoom (1.6X)
  - Short Throw (1.07-1.71 : 84"@2M)
- \* Brilliant Image Performance
  - Blu-ray Full HD 3D support
  - 2D to 3D conversion
  - Frame interpolation (MEMC)
  - Enhanced Contrast (Darkchip3)
  - Brilliant Color (REC 709)
  - Professional picture adjustment (ISFccc)
- \* Low TCO (SmartEco)



<b>Projection System</b>	Single 0.65" DC3 DLP DMD
<b>Native Resolution</b>	1080p (1920 x 1080)
<b>Brightness</b>	2200 ANSI lumens
<b>Contrast Ratio</b>	10000:1
<b>Display Color</b>	1.07 Billion Colors
<b>Lens</b>	F=2.45-3.07 , f=15.78-25.12mm
<b>Aspect Ratio</b>	Native 16:9 (5 aspect ratio selectable)
<b>Throw Ratio</b>	1.07-1.71 (84"@2M)
<b>Offset</b>	110%-130%
<b>Image Size (Diagonal)</b>	40"-300"
<b>Zoom Ratio</b>	1.6:1
<b>Lamp Type</b>	240W
<b>Lamp(Normal/Economic/SmartEco Mode)*</b>	3500/5000/6000 hours
<b>Keystone Adjustment</b>	ID, Vertical ± 10 degrees
<b>Lens Shift</b>	Vertical 110%-130%±5%
<b>Resolution Support</b>	up to WUXGA
<b>Horizontal Frequency</b>	15K-102KHz
<b>Vertical Scan Rate</b>	23-120Hz
<b>Color Wheel Segment</b>	6-Segment (RGBRGB)
<b>Color Wheel Speed</b>	6X (50Hz)
<b>Compatibility</b>	HDTV Compatibility 480i, 480p, 576i, 576p, 720p, 1080i, 1080p Video Compatibility NTSC, PAL, SECAM, SDTV(480i/576i), EDTV (480p/576p, HDTV (720p, 1080i/p 60Hz) 3D Compatibility Frame Sequential: Up to 480i (Please refer to User's Manual Frame Packing: Up to 24 Hz 1080p for detailed support timing.) Side by Side: Up to 60Hz 1080i Top Bottom: Up to 24Hz 1080p

<b>Interface</b>	Computer in (D-sub 15pin)	x 1
	HDMI (v1.4a)	x 2
	Composite Video in (RCA)	x 1
	S-Video in (Mini DIN 4pin)	x 1
	Component Video in	x 1
	Audio in (Mini Jack)	x 1
	Audio L/R in (RCA)	x 1
	Audio out (Mini Jack)	x 1
	DC 12V Trigger (3.5mm Jack)	x 1
	Audio L/R in (RCA)	x 1
	Speaker	10W x 2
	RS232 (DB-9pin)	x 1

<b>Power</b>	Power Supply	AC 100 to 240 V, 50/60 Hz
	Power Consumption	397W(typical), Standby<0.5W

<b>Dimensions</b>	Dimensions(W x H x D)	339 x 120.2 x 284.8 mm
	Weight	3.9KG

<b>Audible Noise</b>	33/28 dBA (Normal/Economic mode)
----------------------	----------------------------------

**On-Screen Display Languages**  
 Arabic/Bulgarian/ Croatian/ Czech/ Danish/ Dutch/ English/ Finnish/ French/ German/ Greek/ Hindi/ Hungarian/ Italian/ Indonesian/ Japanese/ Korean/ Norwegian/ Polish/ Portuguese/ Romanian/ Russian/ Simplified Chinese/Spanish/ Swedish/ Turkish/ Thai/ Traditional Chinese (28 Languages)

<b>Picture Modes</b>	Dynamic / Standard / Cinema / User1 / User2 / User3 / 3D / ISF Night / ISF Day
----------------------	--

<b>Accessories</b>	<b>Standard</b>	<b>Optional</b>
	Remote Control w/ Battery (full type, RCV011)	Spare Lamp Kit P/N: 5JJ9E05.001
	Carry bag	Ceiling Mounting Kit P/N: 5JJ4N10.001
	Power Cord (by region)	
	User Manual CD (24L)	
	Quick Start Guide (28L)	
	Warranty Card (by region)	
	Lens cover	
	VGA (D-sub 15pin) Cable	
	WHDI Wireless Dongle Kit box	
	3D Glasses P/N: 5JJ7L25.002	

\*Lamp life results will vary depending on environmental conditions and usage. Actual product's features and specifications are subject to change without notice.

\* W1500 has a built-in wireless HDMI receiver. To prevent signal interference with the projected image, please make sure there are no other devices that support 5GHz wireless signals within 3 meters from the projector, as they may potentially cause signal interference and impact the projected image. This includes but not limited to access points/routers, wireless cards/dongles, 5.8GHz wireless mouses, 5.8GHz digital phones, some Wimax products, some Autopass cards, the W1500 projectors which are performing wireless projection or devices with 802.11AC Wi-Fi. The suggested distance for such devices would be over 3 meters away from the projector.

- If you are experiencing serious 5GHz signal interference, which may be indicated by blank or persistently noise, it is recommended that you execute any of the following tips to re-build the wireless connection:
1. Change the signal source then switch back to wireless transmission to reset the projection. Just press SOURCE on the projector or remote control to display the source selection bar, and select Wireless again to restart the action.
  2. Disconnect the Wireless Transmitter and then replug it into the HDMI device.
  3. Restart the projector to reset the connection.
  4. If the connection still fails, please follow the procedures in user manual to redo the pairing of transmitter and receiver.

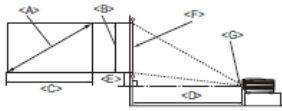
# W1500 Home Entertainment Projector

## Distance Chart

### Projection dimensions

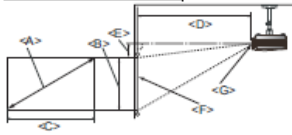
#### Installation for a 16:9 ratio screen

##### Floor Installation



<F>: Screen <G>: Center of lens

##### Ceiling Installation



<F>: Screen <G>: Center of lens

■ The screen aspect ratio is 16:9 and the projected picture is 16:9

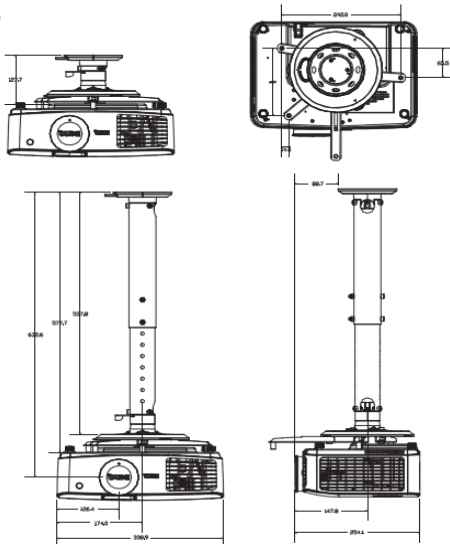
Diagonal <A> [inch (mm)]	Screen dimensions		Projection distance <D> [mm]			Lowest/Highest lens position <E> [mm]
	Height <B> [mm]	Width <C> [mm]	Min distance (with max zoom)	Average	Max distance (with min zoom)	
42 (1067)	533	930	1000	1300	1600	26
50 (1270)	623	1107	1190	1548	1905	31
60 (1524)	747	1328	1429	1857	2286	37
70 (1778)	872	1550	1667	2167	2667	44
84 (2032)	996	1771	1905	2476	3048	50
84 (2134)	1046	1860	2000	2600	3200	52
90 (2286)	1121	1992	2143	2786	3429	56
100 (2540)	1245	2214	2381	3095	3810	62
110 (2794)	1370	2435	2619	3405	4190	68
120 (3048)	1494	2657	2857	3714	4571	75
130 (3302)	1619	2878	3095	4024	4952	81
140 (3556)	1743	3099	3333	4333	5333	87
150 (3810)	1868	3321	3571	4643	5714	93
160 (4064)	1992	3542	3810	4952	6095	100
170 (4318)	2117	3763	4048	5262	6476	106
180 (4572)	2241	3985	4286	5571	6857	112
190 (4826)	2366	4206	4524	5881	7238	118
200 (5080)	2491	4428	4762	6190	7619	125
250 (6350)	3113	5535	5952	7738	9524	156

□ The above numbers are approximate and may be slightly different from the actual measurements. Only the recommended screen sizes are listed. If your screen size is not in the table above, please contact your dealer for assistance.

## Wall mount/Ceiling mount Chart

◎ Ceiling Mount screw: M4  
(Max L = 8 mm)

Unit: mm



## Dimension



Unit: mm

