



MX813ST Digital Projector

Highlights

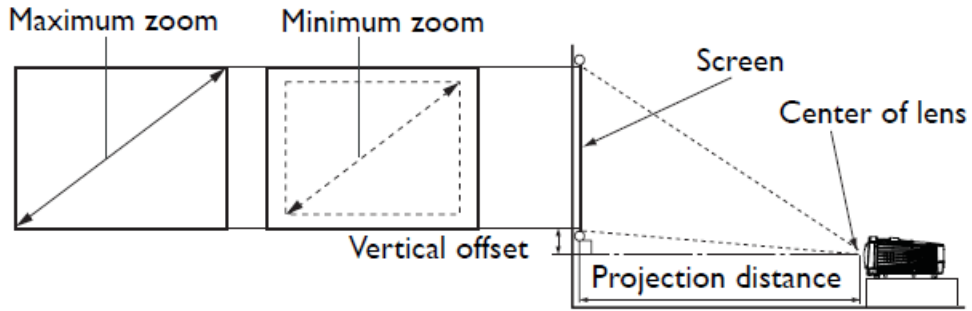
- Short Throw
- Designed for Education
- Long Lamp Life with
- High Contrast Ratio
- LAN control
- BrilliantColor™



Projection System	DLP		
Native Resolution	XGA(1024 x 768)		
Brightness	2700 ANSI lumens		
Contrast Ratio	10000 : 1		
Display Color	1.07 Billion Colors		
Lens	F=2.6		
Aspect Ratio	Native 4:3 (5 aspect ratio selectable)		
Throw Ratio	0.61 (81"@1m)		
Image Size (Diagonal)	80~300"		
Zoom Ratio	Fixed		
Lamp Type	UHP230W with Image Care		
Lamp (Normal/Economic Mode)*	3500/5000hrs (up to 6500hrs under SmartEco mode)		
Keystone Adjustment	1D, Vertical +/- 40 degrees		
Projection Offset	120%		
Resolution Support	VGA(640 x 480) to UXGA(1600 x 1200)		
Horizontal Frequency	31K~90KHz		
Vertical Scan Rate	50~120Hz		
Compatibility	HDTV Compatibility	480i, 480p, 576i, 576p, 720p, 1080i, 1080p	
	Video Compatibility	NTSC, PAL, SECAM	
	3D Compatibility	PC: 120Hz Frame Sequential 3D for resolutions up to	
Interface	Computer in (D-sub 15pin)	x 2	
	Monitor out (D-sub 15pin)	x 1	
	Composite Video in (RCA)	x 1	
	S-Video in (Mini DIN 4pin)	x 1	
	Component Video in	x 2 (shared with D-sub 15pin)	
	Audio in (Mini Jack)	x 2	
	Audio L/R in (RCA)	x 2	
	Audio out (Mini Jack)	x 1	
	Speaker	10W x 1	
	LAN (RJ45)	x 1	
	USB (Type Mini B)	NA	
	RS232 (DB-9pin)	x 1	
	IR Receiver	x2	
Dimensions	Dimensions(W x H x D)	302x124x232mm	
	Weight	2.7kg (6.0lbs)	
Power	Power Supply	AC 100 to 240 V, 50/60 Hz	
	Power Consumption	285W, Standby<1W	
Audible Noise	34/29 dBA (Normal/Economic mode)		
On-Screen Display Languages	Arabic/Bulgarian/ Croatian/ Czech/ Danish/ Dutch/ English/ Finnish/ French/ German/ Greek/ Hindi/ Hungarian/ Italian/ Indonesian/ Japanese/ Korean/ Norwegian/ Polish/ Portuguese/ Romanian/ Russian/ Simplified Chinese/Spanish/ Swedish/ Turkish/ Thai/ Traditional Chinese (28 Languages)		
Picture Modes	Dynamic/Presentation/sRGB/Cinema/User 1/User 2		
Accessories	Standard	Optional	
	Remote Control w/ Battery	Presentation Plus	P/N: 65.J9306.002
	Power Cord (by region)	Spare Lamp Kit	P/N: 5J.J0A05.001
	User Manual CD/Quick Start Guide	3D Glasses	P/N: 5J.J0T14.011
	Warranty Card (by region)		
	VGA(D-sub 15pin) Cable		

*Lamp life results will vary depending on environmental conditions and usage. Actual product's features and specifications are subject to change without notice.

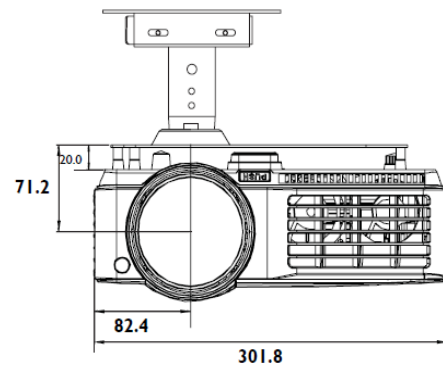
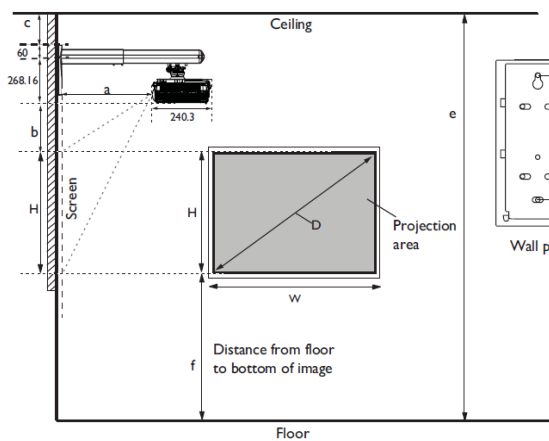
Distance Cart



Screen size				Distance from screen (mm)	Vertical offset (mm)
Diagonal		W (mm)	H (mm)		
Inch	mm				
40	1020	810	610	500	39
60	1520	1220	910	740	85
80	2030	1630	1220	990	131
100	2540	2030	1520	1240	177
150	3810	3050	2290	1860	291
200	5080	4060	3050	2480	405
250	6350	5080	3810	3090	520
300	7620	6100	4570	3710	634

Ceiling mount Chart

$$\text{Minimum Ceiling Height (mm)} = f + H + b + 60 + 268.16 + c$$



Dimension



BENQ