



Ultra-Sharp Images in a Short Distance

- 3000AL Brightness and exceptional 13000:1 contrast ratio
- 0.37:1 fixed short throw lens for a big image in short distance*1
- Large choice of input connections (HDMI, 2xVGA, VGA OUT...)
- 3D ready
- Dust filter free design
- Energy saving: SmartEco, auto power off, Eco blank, 0.5W standby power consumption*2
- Lamp life time up to 7000 hours*3
- 6 segment color wheel for better color reproduction
- 10W x2 speaker with powerful sound

*1 From 0.37:1 up to 0.47:1 according to the models (see specsheet)

*2 Network off

*3 In SmartEco mode



MX842UST 3000AL XGA DLP Projector
 MW843UST 3000AL WXGA DLP Projector



Because it matters

Exceptional Image Quality for High-Impact Presentations

Superior Image Quality

With 3000 ANSI lumen high brightness, the MX842UST/MW843UST will always give you the best clarity under the brightest lights! So, take advantage! Stay in control and enjoy perfect presentations and the best interactions with your audience; moreover, the combined expertise of BenQ's projector know-how delivers an astounding 13000:1 contrast at the highest to significantly improve the black level for superbly rendered image definition.



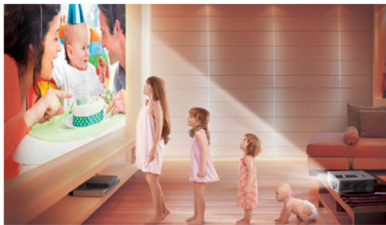
High Contrast



Low Contrast

Long-Lasting DLP Image Perfection

Utilizing a nearly-sealed DLP projection engine, BenQ projectors exhibit virtually no image distortion from panel aging due to heat or dust buildup. Millions of micro mirrors on the advanced DMD chip reflect pure light through the color wheel, producing precise details and intensely saturated colors without degradation over time.



Perfect Six-Color Management via Independent 3D Calibration

Independently fine-tune the hue, gain, and saturation levels of each of the six primary colors (R/G/B/C/M/Y) with innovative BenQ 3D color management. The ability to precisely control these parameters greatly enhances mid-tones and greyscales to deliver more realistic images and video.



Blu-ray Full HD 3D Supported

BenQ MX842UST/MW843UST is built with latest DLP® technology to support 3D functionality, allowing schools to bring an immersive learning experience to their students with a simple preparation of 3D glasses and 3D content from your blu-ray player.



Good things come in short distance

Good Things Come in Short Distance



• Zero Eye-Blinding

The short-throw projection distance keeps the projector light from shining directly into your eyes, allowing you to keep your focus on your audience.



• Zero Disruptions

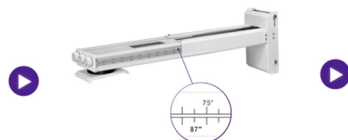
Say goodbye to the shadows that often interrupt your presentation. With a projection distance this close, you and your audience can move freely without worrying about obstructions between the projector and the screen!

Efficiency Installation with Wall Mount Alignment System

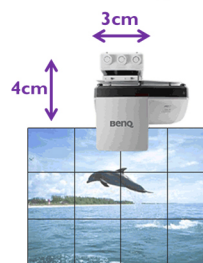
Designed to help ensure a fail-proof projector installation, BenQ has implemented extra help into its wall mount design. This installer-friendly ultra short-throw projector wall mount features an installation chart and a measuring ruler to help you find the most suitable projector-screen alignment and image position for your classroom.



1. Slide in the projector to connect with the wall mount.



2. Check the measuring ruler for the desired projection image size and adjust



3. Make minor adjustments to the image.



Scan it to see the Simple Steps to Installing BenQ's Wall Mount

Complete Remote Control and Easy Maintenance

LAN-Based Multiple Projector Management (AMX/CRESTRON/PJ-Link/Extron)

Projector monitoring, scheduling, and management are under convenient IT manager control utilizing BenQ's intuitive interface. Compatible with PJ-Link, Crestron, and AMX control systems for convenient system integration with multiple third-party A/V components, BenQ High Brightness projectors allow remote operation and status supervision over multiple remote projectors to minimize labor cost and resources.



Dust Filter Free Design

BenQ Projectors feature leading-edge Digital Light Processing (DLP) Technology, featuring nearly-sealed projection engines able to deliver persistent picture perfection without the hassles and costs of filters. The ability of DLP to keep heat and dust out of the engine results in long-lasting clarity without unnecessary filter replacement and cost.



Dust filter free



No dust filter to change or clean



Save your money!

World-Leading SmartEco™ Technology for a Greener Environment

As the first DLP brand to incorporate Philips' ImageCare technology into its projector lamp system, BenQ has taken a further leap, developing its own SmartEco™ Technology to perfect what DLP can do for energy saving in any occasion. Built with this brand new invention, the BenQ projector brings together uncompromised brightness innovative features.



Convenient Lamp Access

Top-mounted quick-release doors for lamp replacement eliminate the need to move the projector for quick, hassle-free lamp exchange. This versatility prevents the need to remove the projector from its mounting bracket in single or multiple projector installations for lamp replacement.



Eco Blank Mode

During breaks in presentations or when the projector is not in use, Eco Blank Mode reduces power consumption by up to 70% while at the same time eliminating distractions from the inactive screen. The blanked screen refocuses the audience's attention to the presenter while conserving energy.



Full Power On
(100% Lamp Power)



Eco Blank Mode On
(30% Lamp Power at the Lowest)

Unique Features for Classrooms

Built-in 10W Big Audio Power

The MX842UST/MW843UST feature built-in 10W speakers to help enrich every lesson with top quality audio performances. These speakers are sealed and secured within the projector housing by BenQ's anti-shake design to ensure projection stability at all times.



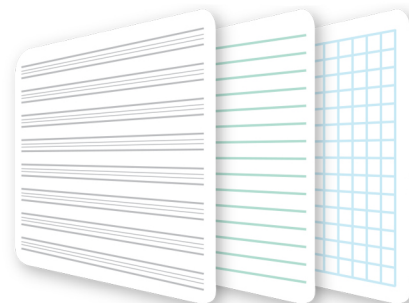
Microphone Input Support

With the microphone input, teachers get to reach every student without straining their voice. All they need to do is plug in the microphone or microphone headset to get started!

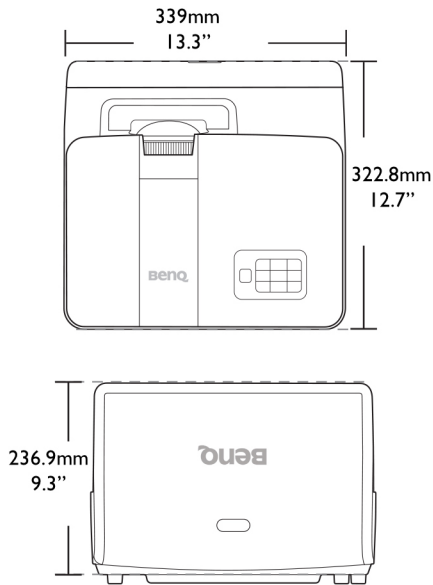


Thoughtful Teaching Template Design

To make your teaching job easier, BenQ has added the teaching template function to the MX842UST/MW843UST. Now, with three different line pattern designs to choose from – Letter Formation, Worksheet and Coordinate Chart, you can easily write or draw on whiteboards as well as blackboards without the need of drawing lines or charts.



Dimensions

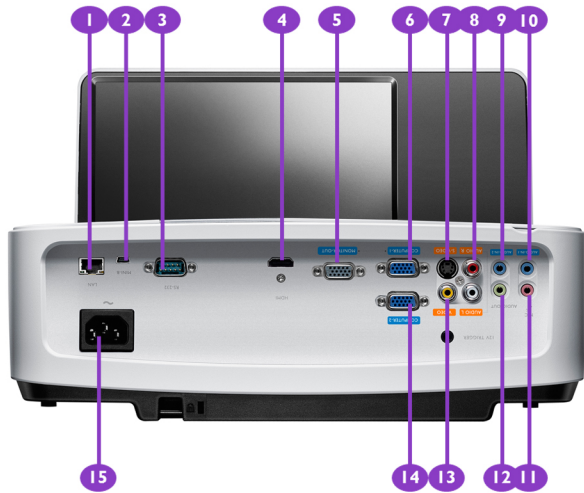


Specification

	MX842UST	MW843UST
Projection System	DLP™	DLP™
Color Wheel	6 seg (RGBCYW)	
Native Resolution	XGA (1024x768)	WXGA (1280x800)
Brightness*	3000 ANSI Lumens	
Contrast Ratio	13000:1	
Display Color	1.07 Billion Colors	
Lens	F= 2.53, f=5.38mm	
Aspect Ratio	4:3	16:10
Throw Ratio	0.47:1	0.37:1
Max. Image Size (Diagonal)	300"	
Zoom Ratio	fixed	
Lamp Wattage	240W	240W
Lamp(Normal/Eco/SmartEco)	3500h/5000h/7000h	
Keystone Adjustment	V: +/-15°	
Projection Offset	153%±5%	147%±5%
PC Signal Compatibility	up to UXGA (1600x1200)	
HDTV Compatibility	480i, 480p, 576i, 576p, 720p, 1080i, 1080p	
Video Compatibility	NTSC, PAL, SECAM	NTSC, PAL, SECAM
Horizontal Frequency	15K~102KHz	
Dimensions(W x H x D)	339mm x 236.9mm x 322.8mm / 13.35" x 9.33" x 12.71"	
Weight	6.2kg	
Audible Noise (normal/eco)	36/30dBA	
Power Supply	AC 100 to 240 V, 50/60 Hz	
Power Consumption	Typical 330W, Network standby <6W, Standby <0.5W	
Operating environment	0~40°C/ 10%~90% humidity w/ no condensation	
What's in the box	remote control w/ battery, power cord, user manual CD, quick start guide, VGA cable, wall mount kit	

*Lamp life results will vary depending on environmental conditions and usage. Actual product's features and specifications are subject to change without notice.

Input and Output Terminals



1. RJ45 LAN input (control)
2. USB Mini - B type port
3. RS-232 control port
4. HDMI input
5. RGB signal output
6. RGBI/YUV input
7. S-VIDEO input
8. Audio (L/R) input
9. Audio input RGB1
10. Audio input RGB2
11. MIC input
12. Audio output
13. VIDEO input
14. RGB2/YUV input
15. AC power cord inlet

Optional accessory

Spare Lamp Kit - 5J.JCA05.001



Active 3D glasses - DGD5 (5J.J9H25.001)



Key Features

- Panel key lock
- Presentation timer
- Standby power <0.5W (network off)
- Quick auto search
- Closed captioning
- VGA signal power ON
- Auto power off
- SmartEco energy saving
- Variable audio out
- Kensington lock
- Teaching template
- Direct power on
- Eco Blank mode
- LAN control
- Top access lamp door
- Instant restart
- Support all 3D mandatory formats
- User memory setting
- 2X digital zoom
- Wall color correction

BenQ Europe B.V.

Meerenaekerweg 1-17
5652 AR Eindhoven
The Netherlands
Tel: +31 88 888 9200
Fax: +31 88 888 9299



Because it matters