



**Model Name TH682ST Digital Projector Distance Chart**

**Unique selling point**

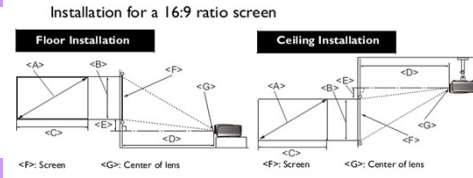
- \* SmartEco power saving technology
- \* Native Full HD high resolution
- \* Blu-ray 3D supported

**Trade Mark**



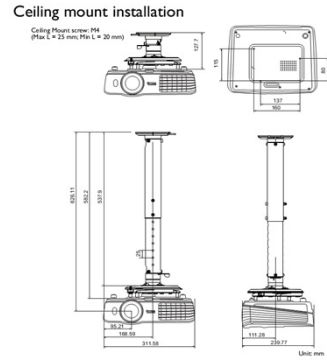
|                                             |                                                                                                                                                                                                                                                                                              |                                                                                |
|---------------------------------------------|----------------------------------------------------------------------------------------------------------------------------------------------------------------------------------------------------------------------------------------------------------------------------------------------|--------------------------------------------------------------------------------|
| <b>Projection System</b>                    | DLP                                                                                                                                                                                                                                                                                          |                                                                                |
| <b>Native Resolution</b>                    | Full HD (1920x1080)                                                                                                                                                                                                                                                                          |                                                                                |
| <b>Brightness</b>                           | 3000AL                                                                                                                                                                                                                                                                                       |                                                                                |
| <b>Contrast Ratio</b>                       | 10000:1                                                                                                                                                                                                                                                                                      |                                                                                |
| <b>Display Color</b>                        | 1.07 Billion Colors                                                                                                                                                                                                                                                                          |                                                                                |
| <b>Lens</b>                                 | F=2.6-2.7 f=10.2-11.22 mm                                                                                                                                                                                                                                                                    |                                                                                |
| <b>Aspect Ratio</b>                         | Native 16:9 (5 aspect ratio selectable)                                                                                                                                                                                                                                                      |                                                                                |
| <b>Throw Ratio</b>                          | 0.69~0.76(65.7"±3% @ 1m)                                                                                                                                                                                                                                                                     |                                                                                |
| <b>Image Size (Diagonal)</b>                | 60"~300"                                                                                                                                                                                                                                                                                     |                                                                                |
| <b>Zoom Ratio</b>                           | 1.1:1                                                                                                                                                                                                                                                                                        |                                                                                |
| <b>Lamp Type</b>                            | 210W                                                                                                                                                                                                                                                                                         |                                                                                |
| <b>Lamp Mode (Normal/Economic/SmartEco)</b> | 4000/6000/8000 hours                                                                                                                                                                                                                                                                         |                                                                                |
| <b>Keystone Adjustment</b>                  | 1D, Vertical +/- 40 degrees                                                                                                                                                                                                                                                                  |                                                                                |
| <b>Projection Offset</b>                    | 105% ±5%                                                                                                                                                                                                                                                                                     |                                                                                |
| <b>Resolution Support</b>                   | VGA(640 x 480) to WUXGA_RB(1920X1200) *RB=Reduced blanking                                                                                                                                                                                                                                   |                                                                                |
| <b>Horizontal Frequency</b>                 | 15~102KHz                                                                                                                                                                                                                                                                                    |                                                                                |
| <b>Vertical Scan Rate</b>                   | 23~120Hz                                                                                                                                                                                                                                                                                     |                                                                                |
| <b>Compatibility</b>                        | HDTV Compatibility                                                                                                                                                                                                                                                                           | 480i, 480p, 576i, 576p, 720p, 1080i, 1080p                                     |
|                                             | Video Compatibility                                                                                                                                                                                                                                                                          | NTSC, PAL, SECAM                                                               |
|                                             | 3D Compatibility                                                                                                                                                                                                                                                                             | Frame Sequential: Up to 720p<br>Frame Packing: Up to 1080p                     |
|                                             | (Please refer to User's Manual for detailed support timing.)                                                                                                                                                                                                                                 | Side by Side: Up to 1080i/p<br>Top Bottom: Up to 1080p                         |
| <b>Interface</b>                            | Computer in (D-sub 15pin)                                                                                                                                                                                                                                                                    | x 1                                                                            |
|                                             | Monitor out (D-sub 15pin)                                                                                                                                                                                                                                                                    | x 1                                                                            |
|                                             | Composite Video in (RCA)                                                                                                                                                                                                                                                                     | x 1                                                                            |
|                                             | S-Video in (Mini DIN 4pin)                                                                                                                                                                                                                                                                   | x 1                                                                            |
|                                             | HDMI                                                                                                                                                                                                                                                                                         | x 1                                                                            |
|                                             | Audio in (Mini Jack)                                                                                                                                                                                                                                                                         | x 1                                                                            |
|                                             | Audio out (Mini Jack)                                                                                                                                                                                                                                                                        | x 1                                                                            |
|                                             | Speaker                                                                                                                                                                                                                                                                                      | x 1 (10W)                                                                      |
|                                             | USB (Type Mini B)                                                                                                                                                                                                                                                                            | x 1                                                                            |
|                                             | RS232 (DB-9pin)                                                                                                                                                                                                                                                                              | x 1                                                                            |
| <b>Dimensions</b>                           | Dimensions(W x H x D)                                                                                                                                                                                                                                                                        | 311.8 x 104.7 x 247.5 mm (with feet)<br>311.8 x 94.7 x 247.5 mm (without feet) |
|                                             | Weight                                                                                                                                                                                                                                                                                       | 2.8kg(6.39 lbs)                                                                |
| <b>Power</b>                                | Power Supply                                                                                                                                                                                                                                                                                 | AC100 to 240 V, 50 to 60 Hz                                                    |
|                                             | Power Consumption                                                                                                                                                                                                                                                                            | Normal 280W, Eco 230W, Standby <0.5W                                           |
| <b>Audible Noise</b>                        | 36/33 dBA (Normal/Economic mode)                                                                                                                                                                                                                                                             |                                                                                |
| <b>On-Screen Display Languages</b>          | Arabic/Bulgarian/ Croatian/ Czech/ Danish/ Dutch/ English/ Finnish/ French/ German/ Greek/ Hindi/ Hungarian/ Italian/ Indonesian/ Japanese/ Korean/ Norwegian/ Polish/ Portuguese/ Romanian/ Russian/ Simplified Chinese/Spanish/ Swedish/ Turkish/ Thai/ Traditional Chinese (28 Languages) |                                                                                |
| <b>Picture Modes</b>                        | Dynamic/Presentation/sRGB/Cinema/(3D)/User 1/User 2                                                                                                                                                                                                                                          |                                                                                |
| <b>Accessories</b>                          | <b>Standard</b>                                                                                                                                                                                                                                                                              | <b>Optional</b>                                                                |
|                                             | Lens Cover                                                                                                                                                                                                                                                                                   | Spare Lamp Kit                                                                 |
|                                             | Remote Control w/ Battery                                                                                                                                                                                                                                                                    | Wall Mount                                                                     |
|                                             | Power Cord (by region)                                                                                                                                                                                                                                                                       | Carry bag                                                                      |
|                                             | User Manual CD                                                                                                                                                                                                                                                                               | 3D Glasses                                                                     |
|                                             | Quick Start Guide                                                                                                                                                                                                                                                                            |                                                                                |
|                                             | Warranty Card (by region)                                                                                                                                                                                                                                                                    |                                                                                |
|                                             | VGA(D-sub 15pin) Cable                                                                                                                                                                                                                                                                       |                                                                                |

The screen aspect ratio is 16:9 and the projected picture is in a 16:9 aspect ratio



| Diagonal | Screen size |        | Distance from screen (mm) |         |                        | Vertical offset (mm) |    |
|----------|-------------|--------|---------------------------|---------|------------------------|----------------------|----|
|          | W (mm)      | H (mm) | Min length (max. zoom)    | Average | Max length (min. zoom) |                      |    |
| 60       | 1524        | 747    | 1328                      | 913     | 959                    | 1005                 | 19 |
| 70       | 1778        | 872    | 1550                      | 1065    | 1119                   | 1172                 | 22 |
| 80       | 2032        | 996    | 1771                      | 1218    | 1279                   | 1339                 | 25 |
| 90       | 2286        | 1121   | 1992                      | 1370    | 1438                   | 1507                 | 28 |
| 100      | 2540        | 1245   | 2214                      | 1522    | 1598                   | 1674                 | 31 |
| 110      | 2794        | 1370   | 2435                      | 1674    | 1758                   | 1842                 | 34 |
| 120      | 3048        | 1494   | 2657                      | 1826    | 1918                   | 2009                 | 37 |

**Wall mount/Ceiling mount Chart**



**Dimension**



\*Lamp life results will vary depending on environmental conditions and usage. Actual product's features and specifications are subject to change without notice.