



SU964 Digital Projector

High Resolution/High Brightness

Easy Installation & Control

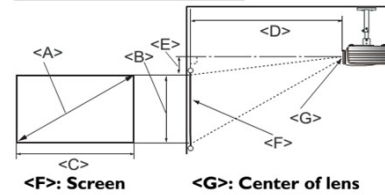
Easy Maintenance

Uncompress video streaming (HDBaseT)

Projection System	DLP
Native Resolution	WUXGA (1920X1200)
Brightness	6000AL
Contrast Ratio	8300:1
Display Color	1.07 Billion Colors
Lens	F=2.48~2.81, f=24.1~36.15 mm
Aspect Ratio	Native 16:9 (5 aspect ratio selectable)
Throw Ratio	1.56~2.34 (87" @ 3.04m)
Image Size (Diagonal)	48"~450"
Zoom Ratio	1.5:1
Lamp Type	350W x 2
Lamp(Normal/Economic/SmartEco Mode)*	2000/2500 hours
Keystone Adjustment	2D, Vertical & Horizontal ± 30 degrees
Projection Offset	Vertical: -90~+90%; Horizontal: -30~+30%
Resolution Support	VGA(640 x 480) to WUXGA_RB(1920 x 1200) *RB=Reduced Blanking
Horizontal Frequency	15K~102KHz
Vertical Scan Rate	23~120Hz
Compatibility	HDTV Compatibility 480i, 480p, 576i, 576p, 720p, 1080i, 1080p Video Compatibility NTSC, PAL, SECAM
Interface	Computer in (D-sub 15pin) x 1 (Share with component) Monitor out (D-sub 15pin) x 1 HDMI x 2 Component Video in (5BNC) x 1 Composite Video in (RCA) x 1 Audio in (Mini Jack) x 1 Audio out (Mini Jack) x 1 Speaker 10W x 1 LAN (RJ45) x 1 (LAN Control & HDBaseT) USB (Type Mini B) x 1 (Download) 12V Trigger x 1 RS232 (DB-9pin) x 1 IR Receiver x 2 (Front+Rear)
Dimensions	Dimensions(W x H x D) 443 x 167 x 354.7 mm Weight 13KG
Power	Power Supply AC100 to 240 V, 50 to 60 Hz Power Consumption 940W (typical), Network standby <6.0W, Standby<0.5W Power Management Function Automatic power off after 20 minutes without a display source.
Audible Noise	44/40/41/38 db (Normal Dual / Eco Dual/ Normal Single Alternative / Economic Single Alternativ)
On-Screen Display Languages	Arabic/Bulgarian/ Croatian/ Czech/ Danish/ Dutch/ English/ Finnish/ French/ German/ Greek/ Hindi/ Hungarian/ Italian/ Indonesian/ Japanese/ Korean/ Norwegian/ Polish/ Portuguese/ Romanian/ Russian/ Simplified Chinese/Spanish/ Swedish/ Turkish/ Thai/ Traditional Chinese (28 Languages)
Picture Modes	Expert mode Disabled : Dynamic / Presentation / sRGB / Cinema / (3D) / User 1 / User 2 Expert mode Enabled : Expert Mode 1 / Expert Mode 2 /Dynamic / Presentation / sRGB / Cinema / User 1 / User 2 ** Default picture mode is Standard. When 3D is on, picture mode menu only show 3D. When 3D is off, 3D will also disappear. *** WhenExpert mode is enable, default picture mode is Expert Mode 1. When 3D is on, picture mode only show 3D. When 3D is off, 3D will also disappear.
Accessories	Standard Remote Control w/ Battery Power Cord (by region) User Manual CD Quick Start Guide Warranty Card (by region) VGA(D-sub 15pin) Cable Optional Presentation Plus Spare Lamp Kit Ceiling Mount 3D Glasses Carry bag

Distance Chart

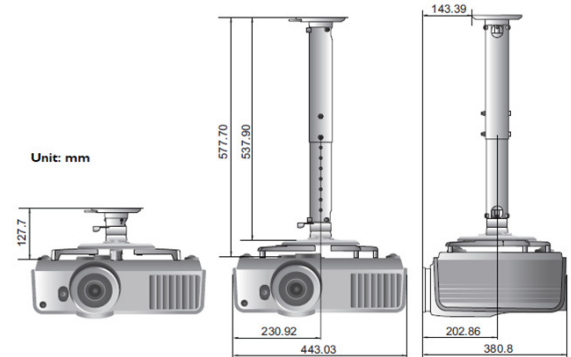
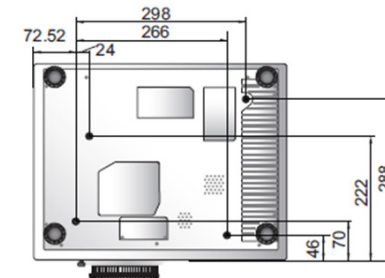
Ceiling Installation



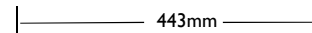
Diagonal <A> [inch (mm)]	Screen dimensions			Projection distance <D> [cm]			Lowest/ Highest lens position <E> [cm]
	Height [cm]	Width <C> [cm]	Min distance (with max zoom)	Average	Max distance (with min zoom)		
70 (1778)	85	151	255	318	382	12.7	
80 (2032)	97	172	291	364	437	14.5	
90 (2286)	109	194	328	409	491	16.4	
100 (2540)	121	215	364	455	546	18.2	
110 (2794)	133	237	401	500	600	20.0	
120 (3048)	145	258	437	546	655	21.8	
130 (3302)	158	280	473	591	709	23.6	
140 (3556)	170	302	510	637	764	25.4	
150 (3810)	182	323	546	682	818	27.3	
160 (4064)	194	345	582	728	873	29.1	
170 (4318)	206	366	619	773	928	30.9	
180 (4572)	218	388	655	818	982	32.7	
190 (4826)	230	409	692	864	1037	34.5	
200 (5080)	242	431	728	909	1091	36.3	
250 (6350)	303	538	910	1137	1364	45.4	
300 (7620)	363	646	1092	1364	1637	54.5	

Ceiling mount Chart

Ⓢ Ceiling mount screws:
M6 x 8 (Max. L = 8 mm)



Dimension



*Lamp life results will vary depending on environmental conditions and usage. Actual product's features and specifications are subject to change without notice.