

# BenQ SH910 Digital Projector

## Highlights

- 4000 ANSI lumens, 1080P
- Lan control(wired & wireless)
- USB display& reader
- 10W\*2 & SRS
- TBD



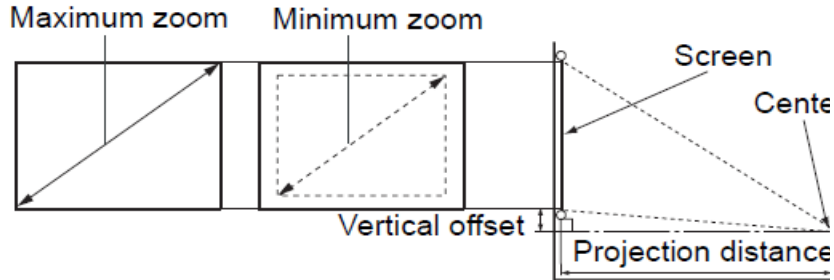
<b>Projection System</b>	DLP		
<b>Native Resolution</b>	1080P(1920 x 1080)		
<b>Brightness</b>	4000AL		
<b>Contrast Ratio</b>	3000:1		
<b>Display Color</b>	1.07 Billion Colors		
<b>Lens</b>	F=2.41-2.91, f=20.72~31mm		
<b>Aspect Ratio</b>	Native 16:9 (5 aspect ratio selectable)		
<b>Throw Ratio</b>	1.4-2.1 (65"@ 2m)		
<b>Image Size (Diagonal)</b>	30"~300"(TBC)		
<b>Zoom Ratio</b>	1.5x		
<b>Lamp Type</b>	OSRAM 280W		
<b>Lamp (Normal/Economic Mode)*</b>	2000/3000hr		
<b>Keystone Adjustment</b>	1D, Vertical& Horizontal +/- 20 degrees		
<b>Projection Offset</b>	V:125%; H:40%		
<b>Resolution Support</b>	VGA(640 x 480) to WUXGA(1920 x 1200)		
<b>Horizontal Frequency</b>	31-90 kHz		
<b>Vertical Scan Rate</b>	48~120Hz		
<b>Compatibility</b>	HDTV Compatibility	480i, 480p, 576i, 576p, 720p, 1080i, 1080p	
	Video Compatibility	NTSC, PAL, SECAM	
	3D Compatibility	NA	
<b>Interface</b>	Computer in (D-sub 15pin)	x 1	
	Monitor out (D-sub 15pin)	x 1	
	HDMI V1.3	x 1	
	Composite Video in	x 1	
	S-Video in (Mini DIN 4pin)	x 1	
	Component Video in	x 1	
	Audio in (Mini Jack)	x 1	
	Audio L/R in (RCA)	x 1	
	Audio out (Mini Jack)	x 1	
	Microphone in (Mini Jack)	x 1	
	Speaker	10W x 2	
	LAN (RJ45)	x 1 (LAN Control & LAN Display)	
	USB (Type A)	x 1 (USB Reader & Keyboard/Mouse & Wireless)	
	USB (Type B)	x 1 (Download & Page up/down)	
	USB (Type Mini B)	x 1 (USB Display)	
	DC 12V Trigger (3.5mm Jack)	x 1	
	RS232 (DB-9pin)	x 1	
<b>Dimensions</b>	Dimensions(W x H x D)	339.2*138.8*260.6mm	
	Weight	3.6kg	
<b>Power</b>	Power Supply	AC 100 to 240 V, 50/60 Hz	
	Power Consumption	340W, Standby<1W	
<b>Audible Noise</b>	34/29 dBA (typical Normal/Eco Max normal/Eco)		
<b>On-Screen Display Languages</b>	English/ France/ Germany/ Italian/ Spanish/ Russian/ Traditional Chinese/ Simplified Chinese/ Japanese/ Korean/ Swedish/ Dutch/ Turkish/ Czech/ Portuguese/ Thai/ Polish/ Hungarian/ Croatian/ Romanian/ Norwegian/ Danish/ Bulgaria/ Finnish/ Indonesian/ Greek/ Hindi/ Arabic (28 Languages) * SH960 will depend on different sale region to have different available languages.		
<b>Picture Modes</b>	Dynamic/Presentation/sRGB/Cinema/ User 1/User 2		
<b>Accessories</b>	<b>Standard</b>	<b>Optional</b>	
	Remote Control w/ Battery	Spare Lamp Kit	P/N: 4JJ4J01.001
	Power Cord (by region)	RS232 Cable	

User Manual CD  
Quick Start Guide  
Warranty Card (by region)  
VGA(D-sub 15pin) Cable

Carry case  
Ceiling mount P/N:  
Presentation Plus  
Wireless USB Dongle

\*Lamp life results will vary depending on environmental conditions and usage. Actual product's features and specifications are subject to change without notice.

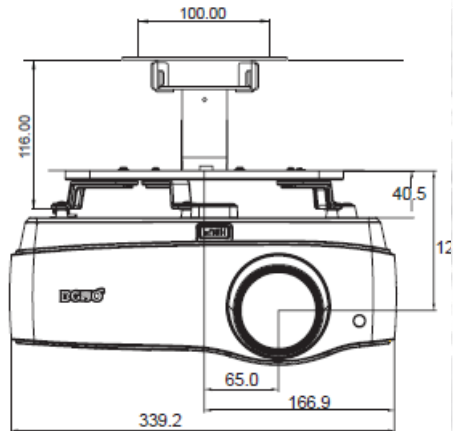
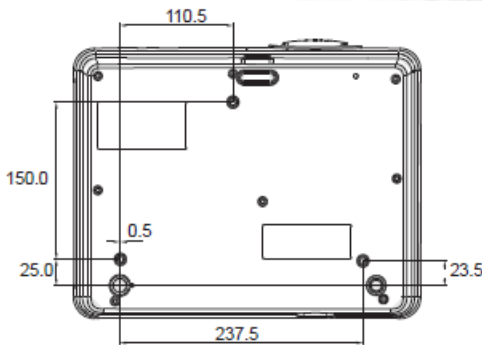
### Distance Chart



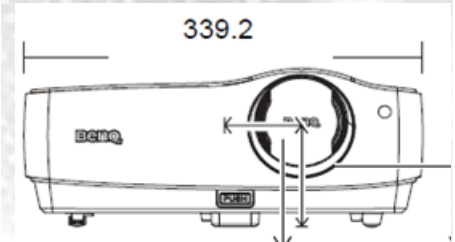
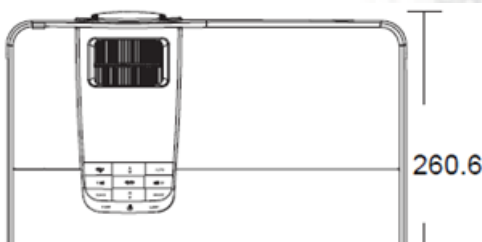
Screen size				Distance from screen (mm)		
Diagonal		W	H	Min length	Average	Max
Inch	mm	(mm)	(mm)	(max. zoom)		(min)
30	762	664	374	890	1140	1
40	1016	886	498	1210	1540	1
50	1270	1107	623	1520	1935	2
60	1524	1328	747	1830	2330	2
80	2032	1771	996	2460	3125	3
100	2540	2214	1245	3090	3920	4
120	3048	2657	1494	3720	4710	5
150	3810	3321	1868	4660	5900	7
200	5080	4428	2491	6240	7890	9
220	5588	4870	2740	6870	8685	10
250	6350	5535	3113	7810	9875	11
300	7620	6641	3736	9380	11855	14

### Ceiling mount Chart

Ceiling mount screws:  
M4 x 8 (Max. L = 8 mm)



### Dimension





66.3

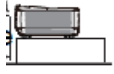
9

**B**

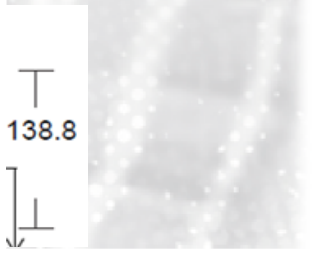
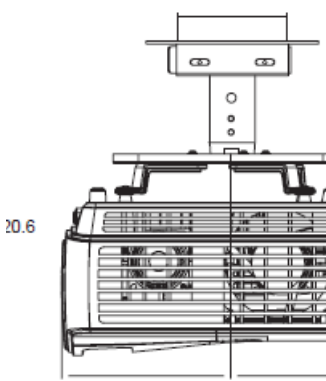
# Digital Projector



er of lens



Length (mm, zoom)	Vertical offset (mm)
390	128
870	171
1350	214
1830	256
1790	342
1750	427
1700	513
1140	641
1540	854
10500	940
1940	1068
4330	1282



1.6

**enq**