

Highlights

- Ultra Short Throw
- Designed for Education
- Easy Installation & Control
- Easy Maintenance

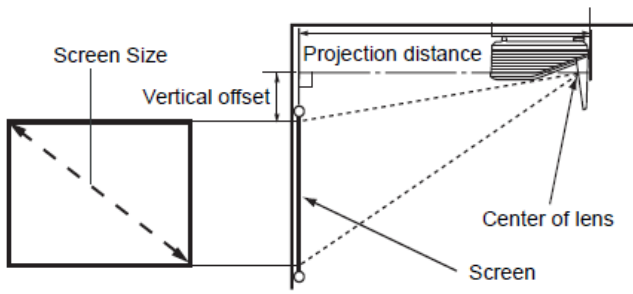


Projection System	DLP		
Native Resolution	WXGA(1280x800)		
Brightness	2500AL		
Contrast Ratio	13000:1		
Display Color	1.07 Billion Colors		
Lens	F=2.65		
Aspect Ratio	Native 16:10 (5 aspect ratio selectable)		
Throw Ratio	0.36 (95"@0.74m)		
Image Size (Diagonal)	60"~300"		
Zoom Ratio	Fixed		
Lamp Type	UHP230W		
Lamp (Normal/Economic Mode)*	3500/5000hr		
Keystone Adjustment	1D, Vertical +/- 15 degrees (Manual)		
Projection Offset	144%+-5%		
Resolution Support	VGA(640 x 480) to UXGA(1600 x 1200)		
Horizontal Frequency	31K~102KHz		
Vertical Scan Rate	23~120Hz		
Compatibility	HDTV Compatibility	480i, 480p, 576i, 576p, 720p, 1080i, 1080p	
	Video Compatibility	NTSC, PAL, SECAM	
	3D Compatibility		
Interface	Computer in (D-sub 15pin)	x 2 (shared with Component video)	
	Monitor out (D-sub 15pin)	x 1	
	Composite Video in (RCA)	x 1	
	S-Video in (Mini DIN 4pin)	x 1	
	Audio in (Mini Jack)	x 2	
	Audio L/R in (RCA)	x 2	
	Audio out (Mini Jack)	x 1	
	Microphone in (Mini Jack)	x 1	
	Speaker	10W x 2	
	LAN (RJ45)	x 1 (LAN Control)	
	HDMI V1.3	x 1	
	USB (Type Mini B)	x 1 (USB Download & Page up/down)	
	DC 12V Trigger (3.5mm Jack)	x 1	
	RS232 (DB-9pin)	x 1	
Dimensions	Dimensions(W x H x D)	339 x 236.9 x 322.8 mm	
	Weight	5.3kg (11.7lbs)	
Power	Power Supply	100 to 240 VAC, 50 to 60 Hz	
	Power Consumption	321W, Standby<0.5W	
Audible Noise	33/27 dBA (Normal/Economic mode)		
On-Screen Display Languages	Arabic/Bulgarian/ Croatian/ Czech/ Danish/ Dutch/ English/ Finnish/ French/ German/ Greek/ Hungarian/Hindi/Italian/ Indonesian/ Japanese/ Korean/ Norwegian/ Polish/ Portuguese/ Romanian/ Russian/ Simplified Chinese/Spanish/ Swedish/ Turkish/ Thai/ Traditional Chinese (28 Languages)		
Picture Modes	Dynamic/Presentation/sRGB/Cinema/User 1/User 2		
Accessories	Standard	Optional	
	Remote Control w/ Battery	Presentation Plus	P/N: 65J9306.002
	Power Cord (by region)	Spare Lamp Kit	P/N: 5JJ4V05.001
	User Manual CD	Wall Mount (T/R 0.4)	P/N: 5JJ4V10.001
	Quick Start Guide	3D Glasses	P/N: 5JJ0T14.011
	Warranty Card (by region)		
	VGA(D-sub 15pin) Cable		

*Lamp life results will vary depending on environmental conditions and usage. Actual product's features and specifications are subject to change without notice.

*Each region has different wireless dongle P/N, please check PM-BM file for detail.

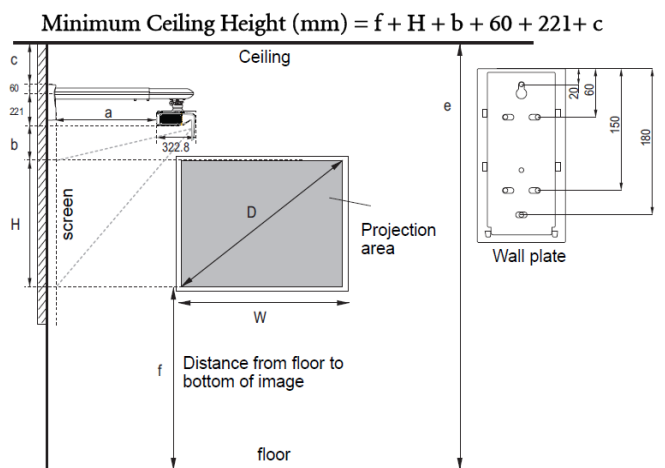
Distance Chart



Screen Size				Distance from Screen in mm	Vertical offset in mm
Diagonal	W	H			
Inches	mm	(mm)	(mm)		
60	1524	1292	808	427	177.7
70	1778	1508	942	505	207.3
80	2032	1723	1077	583	236.9
90	2286	1939	1212	661	266.5
100	2540	2154	1346	739	296.2
120	3048	2585	1615	896	355.4
150	3810	3231	2019	1130	444.2
200	5080	4308	2692	1521	592.3
220	5588	4739	2962	1677	651.6
240	6096	5169	3231	1833	710.8
260	6604	5600	3500	1989	770.0
280	7112	6031	3769	2146	829.3
300	7620	6462	4039	2302	888.5

Wall Mount Chart

Computer Resolution: WXGA Image Resolution: WXGA	Diagram Reference	SMART Board 685	Promethean ActivBoard 387	Hitachi FX- TRIO-88W	Hitachi FX- DUO-88W
Image Diagonal (inches)	D	87	87	88	88
Image Height (mm)	H	1171	1171	1181	1181
Image Width (mm)	W	1874	1874	1887	1887
Distance from floor to bottom of image (mm)	f	900	900	900	900
Distance from screen surface to projector lens (mm)	a	344	344	352	352
Distance from top case to the top of image(mm)	b	258	258	260	260
Distance from top of wall mount to ceiling (mm)	c	50	50	50	50
Minimum Ceiling Height (mm)	e	2660	2660	2672	2672



The dimensions are based on the BenQ wall mount (P/N: 5J.J4V10.001).

Dimension

