



LW61ST Digital Projector

Highlights

- Designed for Education
- No Mercury Light Source
- Easy Installation & Control



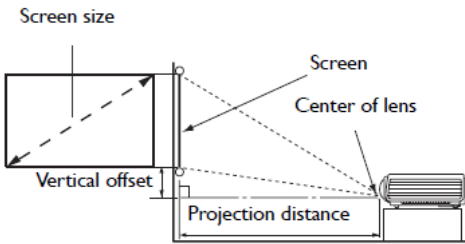
Projection System	DLP		
Native Resolution	WXGA(1280 x 800)		
Brightness	2000 ANSI lumens		
Contrast Ratio	80000:1		
Display Color	1.07 Billion		
Lens	F=2.59		
Aspect Ratio	Native 16:10 (5 aspect ratio selectable)		
Throw Ratio	0.49 (95"±3%@ 1m)		
Image Size (Diagonal)	80"~300"		
Zoom Ratio	Fixed		
Light Source	Laser Diode		
Light Source Life (Normal/Economic)	10000/20000 hrs (Normal/Eco)		
Keystone Adjustment	1D, Vertical +/- 30 degrees (Auto/Manual)		
Projection Offset	110%		
Resolution Support	VGA(640 x 480) to UXGA(1600 x 1200)		
Horizontal Frequency	31K~102KHz		
Vertical Scan Rate	23~120Hz		
Compatibility	HDTV Compatibility	480i, 480p, 576i, 576p, 720p, 1080i, 1080p	
	Video Compatibility	NTSC, PAL, SECAM	
		PC:	
		120Hz Frame Sequential 3D for resolutions up to WXGA	
		60Hz Top-bottom 3D for resolutions up to SXGA+	
		60Hz Frame Sequential 3D resolutions up to WXGA	
		Video:	
		60Hz Frame Sequential 3D for resolutions up to 480i	
Interface	Computer in (D-sub 15pin)	x 2 (shared with Component video)	
	Monitor out (D-sub 15pin)	x 1	
	Composite Video in (RCA)	x 1	
	S-Video in (Mini DIN 4pin)	x 1	
	Audio in (Mini Jack)	x 2	
	Audio L/R in (RCA)	x 2	
	Audio out (Mini Jack)	x 1	
	Microphone in (Mini Jack)	x 1	
	Speaker	10W x 2	
	HDMI V1.3	x 1	
	LAN (RJ45)	x 1 (LAN Control & LAN Display)	
	USB (Type A)	x 2 (USB Reader&Keyboard/Mouse&Wireless Dongle)	
	USB (Type Mini B)	x 1 (USB Display & Download & Page up/down)	
	DC 12V Trigger (3.5mm Jack)	x 1	
	RS232 (DB-9pin)	x 1	
Dimensions	Dimensions(W x H x D)	393.5 x 149.6 x 298 mm(include adjustment footer)	
	Weight	5.1kg	
Power	Power Supply	100 to 240 VAC, 50 to 60 Hz	
	Power Consumption	270W(Max), Standby<0.5W	
Audible Noise	33/32 (Normal/Eco)		
On-Screen Display Languages	Arabic/ Bulgarian/ Croatian/ Czech/ Danish/ Dutch/ English/ Finnish/ French/ German/ Greek/ Hindi/ Hungarian/ Italian/ Indonesian/ Japanese/ Korean/ Norwegian/ Polish/ Portuguese/ Romanian/ Russian/ Simplified Chinese/Spanish/ Swedish/ Turkish/ Thai/ Traditional Chinese (28 Languages)		
Picture Modes	Dynamic/Presentation/sRGB/Cinema/User 1/User 2		
Accessories	Standard	Optional	
	Remote Control w/ Battery	Presentation Plus	P/N: 65J9306.002
	Power Cord (by region)	Spare Lamp Kit	P/N: 5J4N05.001
	User Manual CD	Wireless USB Dongle	P/N: 5JJ0614.A21*
	Quick Start Guide	3D Glasses	P/N: 5J0T14.011
	Warranty Card (by region)	Carry Bag	
	VGA(D-sub 15pin) Cable		

*Lamp life results will vary depending on environmental conditions and usage. Actual product's features and specifications are subject to change without notice.

*Each region has different wireless dongle P/N, please check PM-BM file for detail.

LW61ST Digital Projector

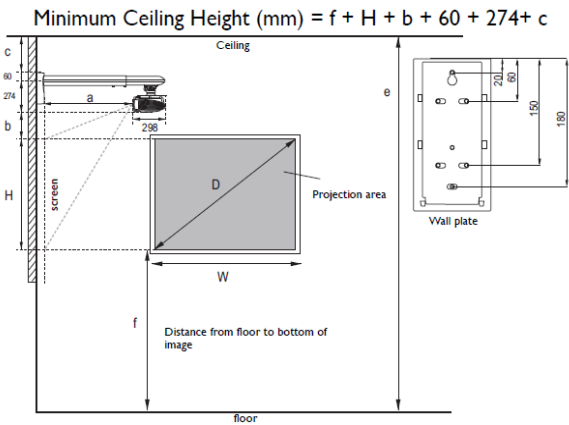
Distance Chart



Screen size				Distance from screen (mm)	Vertical offset (mm)
Diagonal	W	H			
Inch	mm	(mm)	(mm)		
80	2032	1723	1077	842	53.85
100	2540	2154	1346	1053	67
120	3048	2585	1615	1263	81
150	3810	3231	2019	1579	101
180	4572	3877	2423	1895	121
200	5080	4308	2692	2105	135
220	5588	4739	2962	2316	148
240	6096	5169	3231	2526	162
270	6858	5816	3635	2842	182
300	7620	6462	4039	3158	202

Wall mount/Ceiling mount Chart

Computer Resolution: WXGA Image Resolution: WXGA	Diagram Reference	SMART Board 685	Promethean ActivBoard 387	Hitachi FX-TRIO-88W	Hitachi FX-DUO-88W
Image Diagonal (inches)	D	87	87	88	88
Image Height (mm)	H	1171	1171	1185	1185
Image Width (mm)	W	1874	1874	1898	1895
Distance from floor to bottom of image (mm)	f	900	900	900	900
Distance from screen surface to projector lens (mm)	a	916	916	926	926
Distance from top case to the top of image (mm)	b	-9.49	-9.49	-8.82	-8.82
Distance from top of wall mount to ceiling (mm)	c	50	50	50	50
Minimum Ceiling Height (mm)	e	2445.5	2445.5	2460.2	2460.2



Dimension

