

**Model Name CHI100 Portable LED Projector****Unique selling point**

- * 1000AL LED
- * 1080p resolution
- * DLP TRP solution
- * Short throw ratio (81" @2M)
- * 5W chamber speakers x2
- * Hidden dongle space
- * sRGB picture mode

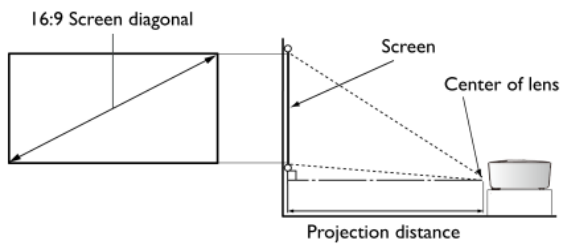
Trade Mark

Projection System	DLP	
Native Resolution	1080p (1920 x 1080)	
Brightness	1000AL	
Contrast Ratio	100,000 : 1 (FOFO)	
Display Color	1.07 Billion Colors	
Lens	F=1.5, f=1.62mm	
Aspect Ratio	Native 16:9 (5 aspect ratio selectable)	
Throw Ratio	1.108:1 (95±3% @2.33m)	
Image Size (Diagonal)	60"~120"	
Zoom Ratio	Fixed	
Lamp Type	OSRAM P1A	
Lamp(Normal/Economic) *	20,000/30,000 hours	
Keystone Adjustment	1D, Vertical±20 degrees	
Projection Offset	100%±2.5%	
Resolution Support	VGA(640 x 480) to UXGA(1600 x 1200)	
Horizontal Frequency	15~ 102KHz	
Vertical Scan Rate	23 ~ 120 Hz	
Compatibility	SDTV Compatibility	480i, 576i
	EDTV Compatibility	480p, 576p
	HDTV Compatibility	720@50p/60p, 1080@50i/60i/24p/25p/30p/50p/60p
	Video Compatibility	NTSC, PAL, SECAM
Interface	Computer in (D-sub 15pin)	x 1
	HDMI	x 3
	MHL	x 1 share with HDMI
	Audio in (Mini Jack)	x 1 (3.5mm)
	Audio out (Mini Jack)	x 1 (3.5mm)
	Speaker	5W x 2
	USB (Type A)	x 1 (for 1.5A power supply)
	USB (Mini B)	x 1 (for FW upgrade)
	RS-232	x 1 (for service)
	IR Receiver	x 2 (Front and Back)
Dimensions (W x H x D)	325 x 63 x 213 (excluding adjustment feet)	
Weight	2.5kg (5.5 pounds)	
Power	Power Supply	AC 100 to 240 V, 50/60 Hz
	Max Power Consumption	146W
Audible Noise	30/28 dBA (Normal/Eco)	
On-Screen Display Languages	Arabic / Bulgarian/ Croatian/ Czech/ Danish/ Dutch/ English/ Finnish/ French/ German/ Greek/ Hungarian/ Hindi / Italian/ Indonesian/ Japanese/ Korean/ Norwegian/ Polish/ Portuguese/ Romanian/ Russian/ Simplified Chinese/Spanish/ Swedish/ Turkish/ Thai / Traditional Chinese (28 Languages)	
Picture Modes	Bright/Graphic(sRGB)/Motion Video/Lectures/Cinema(film)/Vivid color/User	
Accessories	Standard Remote Control w/ Battery Power Cord (by region) Quick Start Guide Warranty Card (by region) HDMI Cable VGA Cable	

*Lamp life results will vary depending on environmental conditions and usage. Actual product's features and specifications are subject to change without notice.

CHI100 Protable LED Projector

Distance Chart

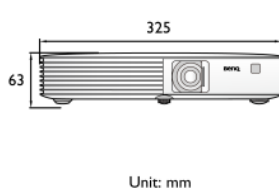


		Screen Size		Projection distance in mm
		Diagonal		
Inch	mm	W (mm) x H (mm)		
30	762	664 x 374		736
40	1016	886 x 498		981
50	1270	1107 x 623		1226
60	1524	1328 x 747		1472
70	1778	1550 x 872		1717
80	2032	1771 x 996		1962
90	2286	1992 x 1121		2208
100	2540	2214 x 1245		2453
120	3048	2657 x 1494		2943
150	3810	3321 x 1868		3679
180	4572	3985 x 2241		4415
200	5080	4428 x 2491		4906
250	6350	5535 x 3113		6132
280	7112	6199 x 3487		6868

All measurements are approximate and may vary from the actual sizes. If you want a permanent installation of the projector, we recommend that you use the actual projector to physically test the projection size, distance, and the projector's optical characteristics prior to the installation. This helps you determine the exact mounting position which best suits your installation.

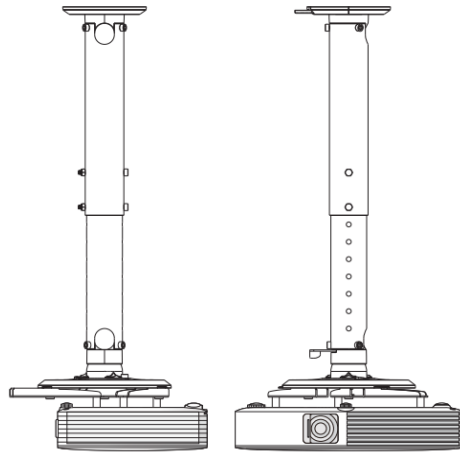
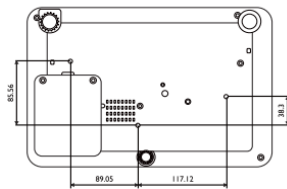
Ceiling Mount Chart

325 mm (W) x 63 mm (H) x 213 mm (D)



Unit: mm

⊙ Ceiling mount screws: M4
(Max. L = 25 mm; Min. L = 20 mm)



Dimension

