



Model Name **MX823ST Digital Projector**

Unique selling point **Trade Mark**

- * MHL Compatible
- * 0.61 Short Throw Ratio
- * Blu-ray 3D supported
- * SmartEco Power Saving Technology
- * PointWrite Interactive Solution Compatible
- * Crestron eControl, RoomView, PJ Link & AMX LAN Control



Projection System	DLP	
Native Resolution	XGA(1024X768)	
Brightness	3200AL	
Contrast Ratio	13000:1	
Display Color	1.07 Billion Colors	
Lens	F=2.6 f=6.9mm	
Aspect Ratio	Native 4:3 (5 aspect ratio selectable)	
Throw Ratio	0.61 (78"@0.96m)	
Image Size (Diagonal)	Optimization 60"-129", Maximum 300"	
Zoom Ratio	Fixed	
Lamp Type	210W	
Lamp Mode (Normal / Economic / SmartEco / LampSave / LumenCare)	4000 hours /5000 hours /6500 hours /10000 hours / 2100 hours constant brightness	
Keystone Adjustment	1D, Vertical +/- 30 degrees	
Projection Offset	130% ±5%	
Resolution Support	VGA(640 x 480) to UXGA(1600 x 1200)	
Horizontal Frequency	15~102KHz	
Vertical Scan Rate	23~120Hz	
Compatibility	HDTV Compatibility	480i, 480p, 576i, 576p, 720p, 1080i, 1080p
	Video Compatibility	NTSC, PAL, SECAM
	3D Compatibility	Frame Sequential: Up to 720p
	(Please refer to User's Manual for detailed support timing.)	Frame Packing: Up to 1080p
		Side by Side: Up to 1080i/p
		Top Bottom: Up to 1080p
Interface	Computer in (D-sub 15pin)	x 2 (Share with component)
	Monitor out (D-sub 15pin)	x 1
	Composite Video in (RCA)	x 1
	S-Video in (Mini DIN 4pin)	x 1
	HDMI	x 1 (Share with MHL 1.2)
	Audio in (Mini Jack)	x 2
	Audio out (Mini Jack)	x 1
	Audio L/R in (RCA)	x 1
	Speaker	x 1 (10W)
	USB (Type Mini B)	x 1
	RS232 (DB-9pin)	x 1
	LAN (RJ45)	x 1
Dimensions	Dimensions(W x H x D)	287.3 x 114.4 x 232.6 mm (with feet) 287.3 x 100.3 x 232.6 mm (without feet)
	Weight	2.6kg(5.73bs)
Power	Power Supply	AC100 to 240 V, 50 to 60 Hz
	Power Consumption	Normal 290W, Eco 240W, Standby <0.5W
Audible Noise	33/28 dBA (Normal/Economic mode)	
On-Screen Display Languages	Arabic/Bulgarian/ Croatian/ Czech/ Danish/ Dutch/ English/ Finnish/ French/ German/ Greek/ Hindi/ Hungarian/ Italian/ Indonesian/ Japanese/ Korean/ Norwegian/ Polish/ Portuguese/ Romanian/ Russian/ Simplified Chinese/Spanish/ Swedish/ Turkish/ Thai/ Traditional Chinese (28 Languages)	
Picture Modes	Dynamic/Presentation/sRGB/Cinema/(3D)/User 1/User 2	
Accessories	Standard	Optional
	Lens Cover	PointWrite
	Remote Control w/ Battery	Spare Lamp Kit
	Power Cord (by region)	Ceiling Mount
	User Manual CD	Wall Mount
	Quick Start Guide	Carry bag
	Warranty Card (by region)	3D Glasses
	VGA(D-sub 15pin) Cable	

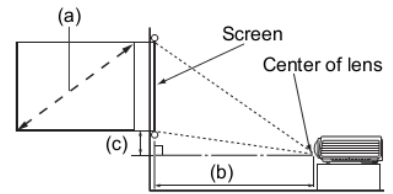
*Lamp life results will vary depending on environmental conditions and usage. Actual product's features and specifications are subject to change without notice.

MX823ST Digital Projector

Distance Chart

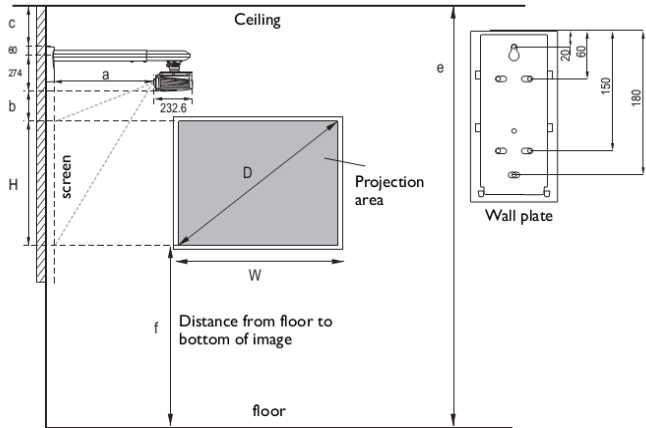
The screen aspect ratio is 4:3 and the projected picture is 4:3

(a) Screen size				(b) Distance from screen (mm)	(c) Vertical offset (mm)
Diagonal		Height (mm)	Width (mm)		
Inches	mm				
80	2032	1219	1626	988	183
100	2540	1524	2032	1235	229
120	3048	1829	2438	1481	274
150	3810	2286	3048	1852	343
180	4572	2743	3658	2222	411
200	5080	3048	4064	2469	457
220	5588	3353	4470	2716	503
240	6096	3658	4877	2963	549
270	6858	4115	5486	3333	617
300	7620	4572	6096	3704	686



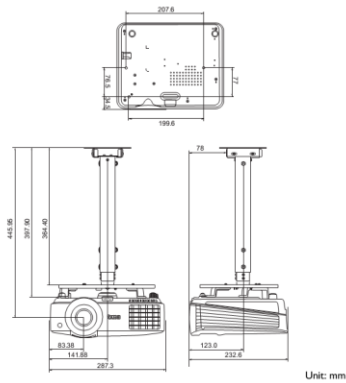
Wall mount/Ceiling mount Chart

Minimum Ceiling Height (mm) = $f + H + b + 60 + 274 + c$



Ceiling mount installation

Ceiling Mount screw: M4
(Max L = 25 mm; Min L = 20 mm)



Unit: mm

Dimension

