



Model Name **MX570 Projector**

Unique selling point

- * 3200ANSI Lumen High Brightness
- * 13000:1 High Contrast Ratio
- * Blu-ray Full HD 3D support
- * Network Standby <0.5W
- * SmartEco

Trade Mark



Projection System	DLP	
Native Resolution	XGA (1024x768)	
Brightness	3200 ANSI Lumen	
Contrast Ratio	13000:1	
Display Color	1.07 Billion Colors	
Lens	F=2.59~2.87, f=16.88~21.88mm	
Aspect Ratio	Native 4:3 (5 aspect ratio selectable)	
Throw Ratio	1.51~1.97 (65"±3% @ 2m)	
Image Size (Diagonal)	60" ~ 300"	
Zoom Ratio	1.3x	
Lamp Type	190W	
Lamp(Normal/Eco/SmartEco/LampSave)*	4500/6000/6500/10000 hours	
Keystone Adjustment	1D, Vertical +/- 40 degrees	
Projection Offset	Vertical: 115% ±5%	
Resolution Support	VGA(640 x 480) to WUXGA_RB(1920 x 1200)*RB = Reduced blanking	
Horizontal Frequency	15K-102KHz	
Vertical Scan Rate	23-120Hz	
Compatibility	HDTV Compatibility	480i, 480p, 576i, 576p, 720p, 1080i, 1080p
	Video Compatibility	NTSC, PAL, SECAM
	3D Compatibility	Frame Sequential: Up to 60Hz 720p
	(Please refer to User Manual for detailed support timing.)	Frame Packing: Up to 24 Hz 1080p
		Side by Side: Up to 24Hz 1080p
		Top Bottom: Up to 60Hz 1080p
Interface	Computer in (D-sub 15pin)	x 2
	HDMI	x 1
	Monitor out	x 1
	Composite Video in (RCA)	x 1
	S-Video in	x 1
	Audio in (Mini Jack)	x 1
	Audio out (Mini Jack)	x 1
	Speaker	10W x 1
	LAN(RJ-45)	x1
	USB (Type mini B)	x1
	RS232 (DB-9pin)	x 1
	IR Receiver	x1 (Front)
Dimensions	Dimensions(W x H x D)	283 x 95 x 222 mm (with feet) 283 x 88.7 x 222 mm (without feet)
	Weight	1.9 Kg (4.19 lbs)
Power	Power Supply	AC100 to 240 V, 50 to 60 Hz
	Power Consumption	Normal 280W, Eco 220W, Network standby <6W, Standby <0.5W
	Power Management Function	Automatic power off after 20 minutes without a display source
Audible Noise	33/28 dBA (Normal/Economic mode)	
On-Screen Display Languages	Arabic/Bulgarian/ Croatian/ Czech/ Danish/ Dutch/ English/ Finnish/ French/ German/ Greek/ Hindi/ Hungarian/ Italian/ Indonesian/ Japanese/ Korean/ Norwegian/ Polish/ Portuguese/ Romanian/ Russian/ Simplified Chinese/Spanish/ Swedish/ Turkish/ Thai/ Traditional Chinese (28 Languages)	
Picture Modes	**Dynamic / Presentation / sRGB / Cinema / (3D) / User 1 / User 2	
Accessories	Standard	Optional
	Remote Control w Battery	Power Cord (by region)
	User Manual CD	VGA Cable
	Quick Start Guide	Warranty Card (by region)
		Spare Lamp Kit
		Ceiling mount kit
		3D Glasses
		Carry Bag

*Lamp life results will vary depending on environmental conditions and usage. Actual product's features and specifications are subject to change without notice.

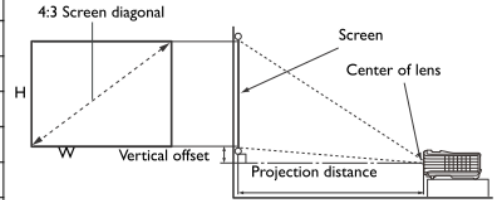
** Default mode is Presentation. When 3D is on, Picture Modes only shows 3D. When 3D is off, it is not shown in Picture Modes.

MX570 Projector

Distance Chart

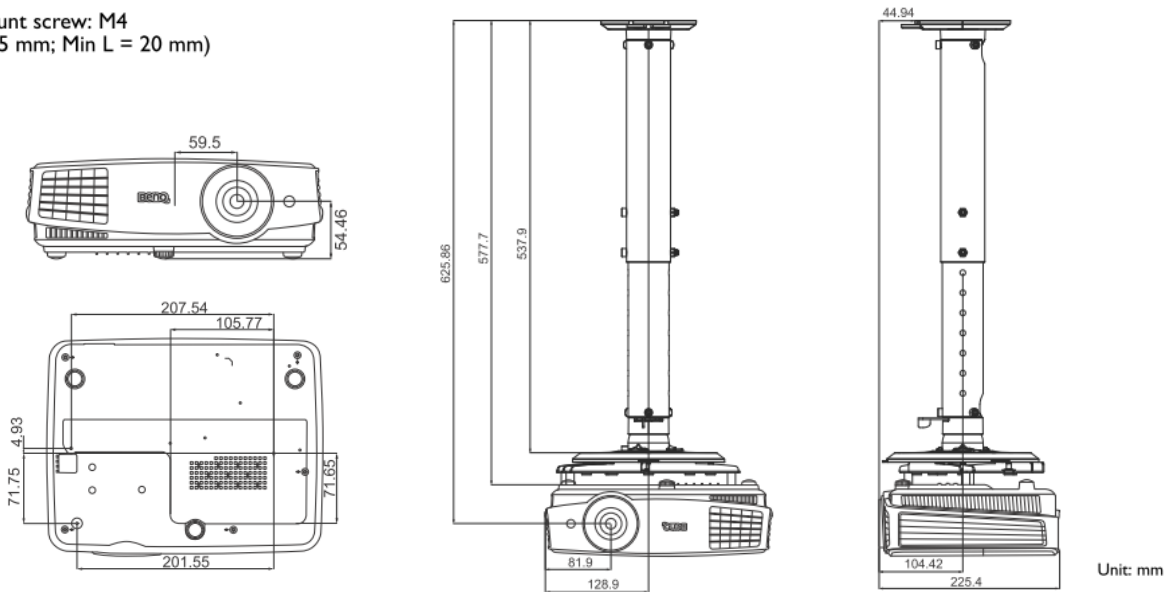
The screen aspect ratio is 4:3 and the projected picture is in a 4:3 aspect ratio

Screen size		Distance from screen (mm)			Vertical offset (mm)		
Diagonal		W (mm)	H (mm)	Min length		Average	Max length
Inch	mm			(max. zoom)			(min. zoom)
30	762	610	457	920	1061	1201	34
40	1016	813	610	1227	1414	1601	46
50	1270	1016	762	1534	1768	2002	57
60	1524	1219	914	1841	2121	2402	69
80	2032	1626	1219	2455	2829	3202	91
100	2540	2032	1524	3068	3536	4003	114
120	3048	2438	1829	3682	4243	4804	137
150	3810	3048	2286	4602	5304	6005	171
200	5080	4064	3048	6137	7071	8006	229
250	6350	5080	3810	7671	8839	10008	286
300	7620	6096	4572	9205	10607	12009	343

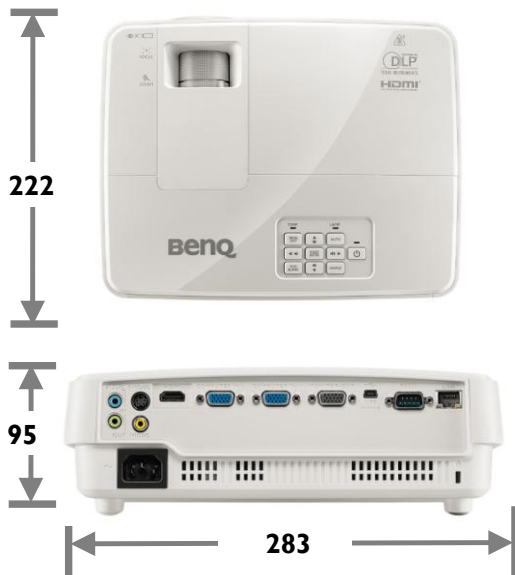


Ceiling mount Chart

Ceiling Mount screw: M4
(Max L = 25 mm; Min L = 20 mm)



Dimension



Unit: mm