



LX20/LW21 Digital Projector

Highlights

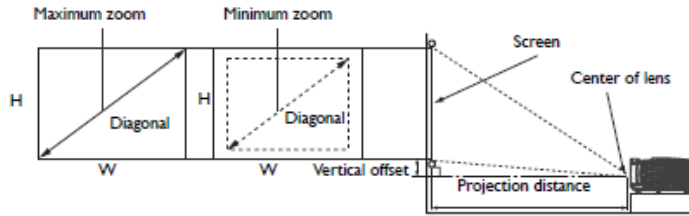
- No Mercury Light Source
- Easy Installation

Projection System	DLP	
Native Resolution	XGA(1024 x 768) / WXGA (1280 x 800)	
Brightness	2500 ANSI lumens	
Contrast Ratio	80000:1	
Display Color	1.07 Billion	
Lens	F=2.56-2.75, f=22.08-24.28mm	
Aspect Ratio	Native 4:3 / 16:10 (5 aspect ratio selectable)	
Throw Ratio	1.82~2.81 :1 (XGA)/ 1.45~2.24:1 (WXGA)	
Image Size (Diagonal)	30"~300"	
Zoom Ratio	1.5x	
Light Source	Laser Diode	
Light Source Life	Up to 20,000 hours	
Keystone Adjustment	1D, Vertical +/- 40 degrees	
Projection Offset	130% (XGA) / 125% (WXGA)	
Resolution Support	VGA(640 x 480) to UXGA(1600 x 1200)	
Horizontal Frequency	31K~102KHz	
Vertical Scan Rate	23~120Hz	
Compatibility	HDTV Compatibility	480i, 480p, 576i, 576p, 720p, 1080i, 1080p
	Video Compatibility	NTSC, PAL, SECAM
	3D Compatibility	<p><u>PC:</u> 120Hz Frame Sequential 3D for resolutions up to WXGA 60Hz Top-bottom 3D for resolutions up to SXGA+ 60Hz Frame Sequential 3D resolutions up to WXGA</p> <p><u>Video:</u> 60Hz Frame Sequential 3D for resolutions up to 480i</p>
Interface	Computer in (D-sub 15pin)	x 2 (shared with Component video)
	Monitor out (D-sub 15pin)	x 1
	Composite Video in (RCA)	x 1
	S-Video in (Mini DIN 4pin)	x 1
	Audio in (Mini Jack)	x 2
	Audio out (Mini Jack)	x 1
	Speaker	2W x 1
	HDMI V1.3	x 1
	LAN (RJ45)	NA
	USB (Type B)	x 1 (Download & Page up/down)
	DC 12V Trigger (3.5mm Jack)	x 1
	RS232 (DB-9pin)	x 1
Dimensions	Dimensions(W x H x D)	379.8 x 115 x 248 mm (include adjustment footer)
	Weight	4.5kg
Power	Power Supply	100 to 240 VAC, 50 to 60 Hz
	Power Consumption	310W(Max), Standby<0.5W
Audible Noise	36dB (Normal)	
On-Screen Display Languages	Arabic/ Bulgarian/ Croatian/ Czech/ Danish/ Dutch/ English/ Finnish/ French/ German/ Greek/ Hindi/ Hungarian/ Italian/ Indonesian/ Japanese/ Korean/ Norwegian/ Polish/ Portuguese/ Romanian/ Russian/ Simplified Chinese/Spanish/ Swedish/ Turkish/ Thai/ Traditional Chinese (28 Languages)	
Picture Modes	Dynamic/Presentation/sRGB/Cinema/User 1/User 2	
Accessories	Standard	Optional
	Remote Control w/ Battery	Presentation Plus P/N: 65J9306.002
	Power Cord (by region)	
	User Manual CD	
	Quick Start Guide	
	Warranty Card (by region)	
	VGA(D-sub 15pin) Cable	

*Lamp life results will vary depending on environmental conditions and usage. Actual product's features and specifications are subject to change without notice.

*Each region has different wireless dongle P/N, please check PM-BM file for detail.

Distance Chart



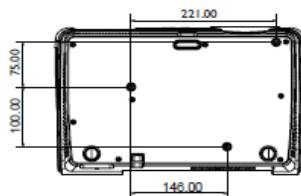
LX20

Screen size				Projection distance (mm)			Vertical offset (mm)
Diagonal		W (mm)	H (mm)	Min distance	Average	Max distance	
Inch	mm			(max. zoom)		(min. zoom)	
30	762	610	457	1092	1395	1697	69
40	1016	813	610	1468	1871	2274	91
50	1270	1016	762	1844	2348	2851	114
60	1524	1219	914	2220	2824	3428	137
80	2032	1626	1219	2972	3777	4583	183
100	2540	2032	1524	3724	4731	5737	229
120	3048	2438	1829	4476	5684	6891	274
150	3810	3048	2286	5604	7113	8623	343
200	5080	4064	3048	7484	9496	11509	457
220	5588	4470	3353	8235	10449	12664	503
250	6350	5080	3810	9363	11879	14395	572
300	7620	6096	4572	11243	14262	17281	686

LW2

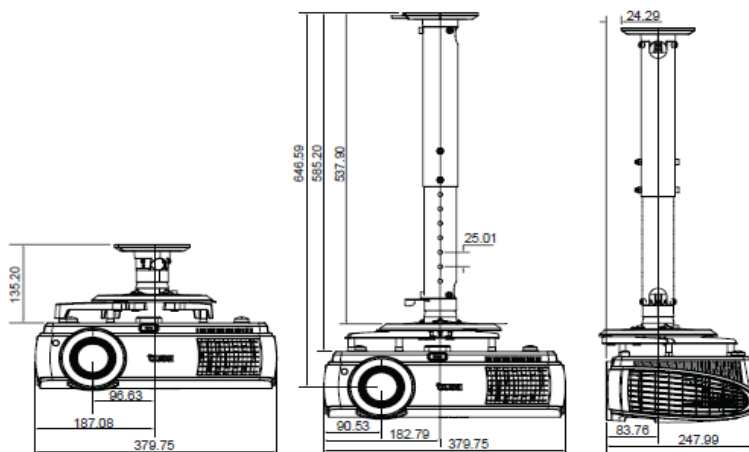
Screen size				Projection distance (mm)			Vertical offset (mm)
Diagonal		W (mm)	H (mm)	Min distance	Average	Max distance	
Inch	mm			(max. zoom)		(min. zoom)	
30	762	646	404	921	1178	1434	50
40	1016	862	538	1240	1582	1923	67
50	1270	1077	673	1559	1986	2412	84
60	1524	1292	808	1878	2390	2901	101
80	2032	1723	1077	2515	3198	3880	135
100	2540	2154	1346	3153	4006	4858	168
120	3048	2585	1615	3791	4814	5837	202
150	3810	3231	2019	4747	6026	7304	252
200	5080	4308	2692	6341	8046	9750	337
220	5588	4739	2962	6979	8854	10729	370
250	6350	5385	3365	7935	10066	12196	421
300	7620	6462	4039	9529	12086	14642	505

Ceiling mount Chart



Ceiling mount screw: M4
(Max L = 25 mm; Min L=20 mm)

Unit: mm



Dimensino

