

# BenQ MS500+ Digital Projector

## Highlights

- Long Lamp Life
- High Contrast Ratio
- BrilliantColor™
- Virtually Color Decay Free
- 3D Ready

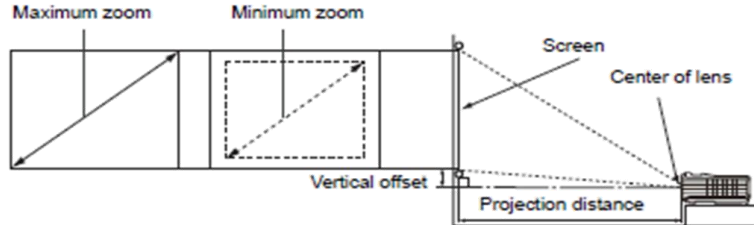


<b>Projection System</b>	DLP		
<b>Native Resolution</b>	SVGA (800 x 600)		
<b>Brightness</b>	2700 ANSI lumens		
<b>Contrast Ratio</b>	4000 : 1		
<b>Display Color</b>	1.07 Billion Colors		
<b>Lens</b>	F=2.56-2.8, f=21-23.1mm		
<b>Aspect Ratio</b>	Native 4:3 (5 aspect ratio selectable)		
<b>Throw Ratio</b>	1.86 - 2.04 (52.5"@2m)		
<b>Image Size (Diagonal)</b>	24"-300"		
<b>Zoom Ratio</b>	1.1:1		
<b>Lamp Type</b>	220W		
<b>Lamp (Normal/Economic Mode)*</b>	4500/6000 hours		
<b>Keystone Adjustment</b>	1D, Vertical +/- 40 degrees		
<b>Projection Offset</b>	120%±5%		
<b>Resolution Support</b>	VGA(640 x 480) to UXGA(1600 x 1200)		
<b>Horizontal Frequency</b>	31K-99KHz		
<b>Vertical Scan Rate</b>	48-120Hz		
<b>Compatibility</b>	HDTV Compatibility	480i, 480p, 576i, 576p, 720p, 1080i, 1080p	
	Video Compatibility	NTSC, PAL, SECAM	
	3D Compatibility	PC: 120Hz Frame Sequential 3D for resolutions up to WXGA	
<b>Interface</b>	Computer in (D-sub 15pin)	x 2 (shared with Component)	
	Monitor out (D-sub 15pin)	x 1	
	Composite Video in (RCA)	x 1	
	S-Video in (Mini DIN 4pin)	x 1	
	Audio in (Mini Jack)	x 1	
	Audio out (Mini Jack)	x 1	
	Speaker	2W x 1	
	USB (Type Mini B)	x 1	
	RS232 (DB-9pin)	x 1	
<b>Dimensions</b>	Dimensions(W x H x D)	287x100x 232 mm	
	Weight	2.5 kg (5.5lbs)	
<b>Power</b>	Power Supply	AC 100 to 240 V, 50/60 Hz	
	Power Consumption	Typical 290W, Standby<1W	
<b>Audible Noise</b>	31/24 dBA (Normal/Economic mode)		
<b>On-Screen Display Languages</b>	English/ France/ Germany/ Italian/ Spanish/ Russian/ Traditional Chinese/ Simplified Chinese/ Japanese/ Korean/ Swedish/ Dutch/ Turkish/ Czech/ Portuguese/ Thai/ Polish/ Hungarian/ Croatian/ Romanian/ Norwegian/ Danish/ Bulgaria/ Finnish/ Indonesian/ Greek/ Hindi/ Arabic (28 Languages) * The available languages will depend on different sale region.		
<b>Picture Modes</b>	Dynamic/Presentation/sRGB/Cinema/User 1/User 2		
<b>Accessories</b>	<b>Standard</b>	<b>Optional</b>	
	Remote Control w/ Battery	Presentation Plus	P/N: 65.J9306.002
	Power Cord (by region)	Spare Lamp Kit	P/N: 5J.J0A05.001
	User Manual CD	Ceiling Mount	P/N: 5J.J2K01.001
	Quick Start Guide	3D Glasses	P/N: 5J.J0T14.011
	Warranty Card (by region)	Carry Bag	P/N: 5J.J3T09.001
	VGA(D-sub 15pin) Cable		

\*Lamp life results will vary depending on environmental conditions and usage. Actual product's features and specifications are subject to change without notice.

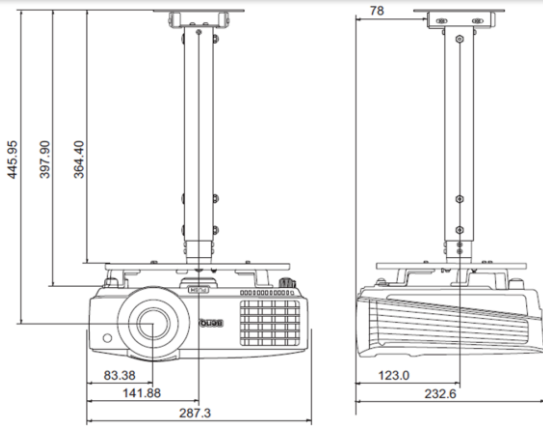
# MS500+ Digital Projector

## Distance Chart

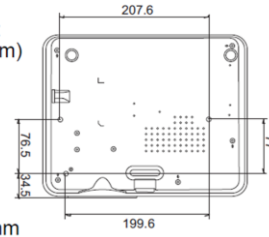


Screen size				Distance from screen (mm)			Vertical offset (mm)	
Diagonal		W (mm)	H (mm)	Min length (max. zoom)	Average	Max length (min. zoom)	• MS500	• MX501
Inch	mm							
30	762	610	457	1132	1189	1245	23	46
40	1016	813	610	1509	1585	1660	30	61
50	1270	1016	762	1887	1981	2075	38	76
60	1524	1219	914	2264	2377	2491	46	91
80	2032	1626	1219	3019	3170	3321	61	122
100	2540	2032	1524	3774	3962	4151	76	152
120	3048	2438	1829	4528	4755	4981	91	183
150	3810	3048	2286	5660	5943	6226	114	229
200	5080	4064	3048	7547	7925	8302	152	305
220	5588	4470	3353	8302	8717	9132	168	335
250	6350	5080	3810	9434	9906	10377	191	381
300	7620	6096	4572	11321	11887	12453	229	457

## Ceiling mount Chart



Ceiling Mount screw:  
M4 x 8 (Max L = 8 mm)



Unit: mm

## Dimension



# BenQ