



Model Name **WI080ST+ Digital Projector**

Unique selling point **Trade Mark**

- * Full HD
- * TI Dark Chip 3
- * 3D Display
- * 6-Segment Color Wheel with 6X Speed
- * Short Throw (65.7" @ 1M)
- * Easy Setup and Maintenance
- * 2D Keystone
- * ISFccc
- * 10W Chamber Speaker
- * MHL
- * New Friendly UI
- * Optional Wireless FHD kit



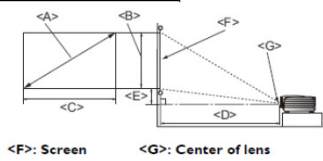
| | | |
|---|--|--|
| Projection System | DLP | |
| Native Resolution | 1080p (1920 x 1080) | |
| Brightness | 2200 ANSI Lumen | |
| Contrast Ratio (FOFO) | 10000:1 | |
| Display Color (ANSI) | 500:1 | |
| Display Color | 1.07 Billion Colors | |
| Lens | F= 2.6-2.78, f=10.2-12.24mm | |
| Aspect Ratio | Native 16:9 (5 aspect ratio selectable) | |
| Throw Ratio | 0.69-0.83 (65.7"@ 1M) | |
| Image Size (Diagonal) | 38"-300" | |
| Zoom Ratio | 1.2:1 | |
| Lamp Type | 240W | |
| Lamp(Normal/Economic/SmartEco Mode)* | 3500/5000/6000 hours | |
| Keystone Adjustment | 2D, Vertical & Horizontal +/- 20 degrees | |
| Projection Offset | 105%±5% | |
| Resolution Support | VGA(640 x 480) to WUXGA_RB(1920 x 1200) *RB=Reduced blanking | |
| Horizontal Frequency | 15K-102KHz | |
| Vertical Scan Rate | 23-120Hz | |
| Compatibility | HDTV Compatibility | 480i, 480p, 576i, 567p, 720p, 1080i, 1080p |
| | Video Compatibility | NTSC, PAL, SECAM, SDTV |
| | Computer in (D-sub 15pin) | x 1 |
| | HDMI | x 2 |
| | MHL | x 1 (shared with HDMI2) |
| | Composite Video in (RCA) | x 1 |
| | Component Video in | x 1 |
| | Audio in (Mini Jack) | x 1 |
| Interface | Audio L/R in (RCA) | x 1 |
| | Audio out (Mini Jack) | x 1 |
| | Chamber Speaker | 10W x 1 |
| | USB (Type A) | x1 (for 1.5V power supply) |
| | USB (Type Mini B) | x1 (for service) |
| | RS232 (DB-9pin) | x 1 |
| | DC 12V Trigger | x 1 |
| Dimensions | Dimensions(W x H x D) | 312x104x244 mm |
| | Weight | 2.85KG |
| Power | Power Supply | AC100 to 240 V, 50 to 60 Hz |
| | Power Consumption | 353W/110V (typical), Standby < 0.5W |
| Audible Noise | 31/28 dBA (Normal/Economic mode) | |
| On-Screen Display Languages | Arabic/Bulgarian/ Croatian/ Czech/ Danish/ Dutch/ English/ Finnish/ French/ German/ Greek/ Hindi/ Hungarian/ Italian/ Indonesian/ Japanese/ Korean/ Norwegian/ Polish/ Portuguese/ Romanian/ Russian/ Simplified Chinese/Spanish/ Swedish/ Turkish/ Thai/ Traditional Chinese (28 Languages) | |
| Preset Modes | ISF Disabled: Bright/(Standard)/Cinema/User 1 / User 2 ISF Disabled: Bright/Standard/Cinema/User 1/User 2/ (ISF Night)/ ISF Day | |

| | Standard | Optional | |
|--------------------|---------------------------|---------------------------------|--------------------|
| Accessories | Remote Control w/ Battery | Spare Lamp Kit | P/N: 5J.5J7L05.001 |
| | Power Cord (by region) | Ceiling Mount | P/N: 5J.J2K01.001 |
| | User Manual CD | 3D Glasses | P/N: 5J.J7K25.011 |
| | Quick Start Guide | Carry Bag | P/N: 5J.J3T09.001 |
| | Warranty Card (by region) | Wireless FHD Kit (BenQ Europe) | P/N: 5J.J9H28.E01 |
| | Lens cover | Wireless FHD Kit (BenQ America) | P/N: 5J.J9H28.A01 |
| | | Wireless FHD Kit (BenQ China) | P/N: 5J.J9H28.C01 |

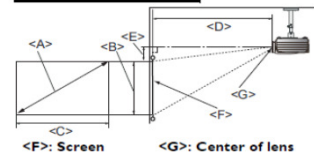
*Lamp life results will vary depending on environmental conditions and usage. Actual product's features and specifications are subject to change without notice.

Distance Chart

Floor Installation



Ceiling Installation



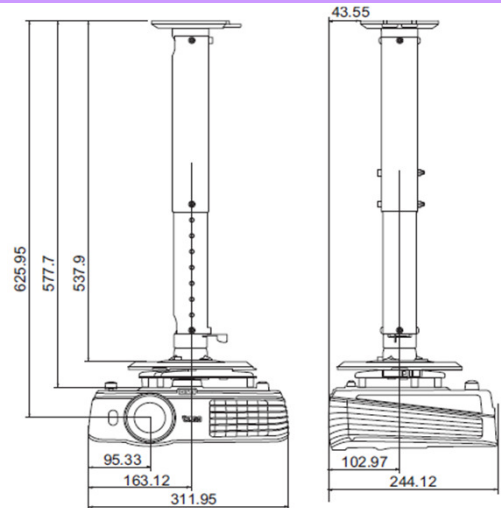
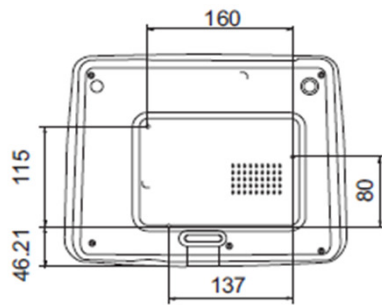
■ The screen aspect ratio is 16:9 and the projected picture is 16:9

| Diagonal <A> [inch (mm)] | Screen dimensions | | Projection distance <D> [mm] | | | Lowest/Highest lens position <E> [mm] |
|-----------------------------------|-----------------------|----------------------|------------------------------------|---------|------------------------------------|---|
| | Height [mm] | Width <C> [mm] | Min distance (with max zoom) | Average | Max distance (with min zoom) | |
| 30 (762) | 374 | 664 | 457 | 502 | 548 | 9 |
| 40 (1016) | 498 | 886 | 609 | 670 | 731 | 12 |
| 50 (1270) | 623 | 1107 | 761 | 837 | 913 | 16 |
| 60 (1524) | 747 | 1328 | 913 | 1005 | 1096 | 19 |
| 70 (1778) | 872 | 1550 | 1065 | 1172 | 1279 | 22 |
| 80 (2032) | 996 | 1771 | 1218 | 1339 | 1461 | 25 |
| 90 (2286) | 1121 | 1992 | 1370 | 1507 | 1644 | 28 |
| 100 (2540) | 1245 | 2214 | 1522 | 1674 | 1826 | 31 |
| 110 (2794) | 1370 | 2435 | 1674 | 1842 | 2009 | 34 |
| 120 (3048) | 1494 | 2657 | 1826 | 2009 | 2192 | 37 |
| 130 (3302) | 1619 | 2878 | 1979 | 2177 | 2374 | 40 |
| 140 (3556) | 1743 | 3099 | 2131 | 2344 | 2557 | 44 |
| 150 (3810) | 1868 | 3321 | 2283 | 2511 | 2740 | 47 |
| 160 (4064) | 1992 | 3542 | 2435 | 2679 | 2922 | 50 |
| 170 (4318) | 2117 | 3763 | 2588 | 2846 | 3105 | 53 |
| 180 (4572) | 2241 | 3985 | 2740 | 3014 | 3288 | 56 |
| 190 (4826) | 2366 | 4206 | 2892 | 3181 | 3470 | 59 |
| 200 (5080) | 2490 | 4428 | 3044 | 3349 | 3653 | 62 |
| 250 (6350) | 3113 | 5535 | 3805 | 4186 | 4566 | 78 |
| 300 (7620) | 3736 | 6641 | 4566 | 5023 | 5479 | 93 |

Wall mount/Ceiling mount Chart

⊙ Ceiling mount screws:
M4 (Max L = 25 mm;
Min L = 20 mm)

Unit: mm



Dimension

