



## Model Name TH681 Digital Projector

### Unique selling point

- \* SmartEco power saving technology
- \* Native Full HD high resolution
- \* Blu-ray 3D supported

### Trade Mark



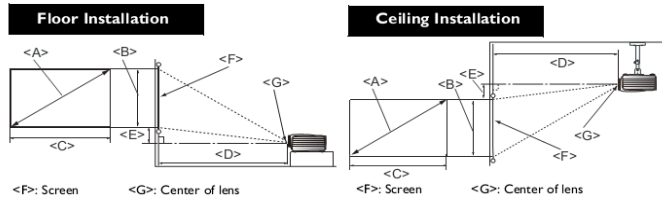
<b>Projection System</b>	DLP	
<b>Native Resolution</b>	Full HD (1920x1080)	
<b>Brightness</b>	3000AL	
<b>Contrast Ratio</b>	10000:1	
<b>Display Color</b>	1.07 Billion Colors	
<b>Lens</b>	F=2.59-2.87 f=16.88-21.88 mm	
<b>Aspect Ratio</b>	Native 16:9 (5 aspect ratio selectable)	
<b>Throw Ratio</b>	1.15~1.5(78.3"±3% @ 2m)	
<b>Image Size (Diagonal)</b>	45"~300"	
<b>Zoom Ratio</b>	1.3: 1	
<b>Lamp Type</b>	210W	
<b>Lamp Mode (Normal/Economic/SmartEco)</b>	4000/5000/6500 hours	
<b>Keystone Adjustment</b>	1D, Vertical +/- 40 degrees	
<b>Projection Offset</b>	110% ±5%	
<b>Resolution Support</b>	VGA(640 x 480) to UXGA(1600 x 1200)	
<b>Horizontal Frequency</b>	15~102KHz	
<b>Vertical Scan Rate</b>	23~120Hz	
<b>Compatibility</b>	HDTV Compatibility	480i, 480p, 576i, 576p, 720p, 1080i, 1080p
	Video Compatibility	NTSC, PAL, SECAM
	3D Compatibility	Frame Sequential: Up to 720p
	(Please refer to User's Manual for detailed support timing.)	Frame Packing: Up to 1080p
		Side by Side: Up to 1080i/p
		Top Bottom: Up to 1080p
<b>Interface</b>	Computer in (D-sub 15pin)	x 2 (Share with component)
	Monitor out (D-sub 15pin)	x 1
	Composite Video in (RCA)	x 1
	S-Video in (Mini DIN 4pin)	x 1
	HDMI	x 1
	Audio in (Mini Jack)	x 1
	Audio out (Mini Jack)	x 1
	Audio L/R in (RCA)	x 1
	Speaker	x 1 (10W)
	USB (Type Mini B)	x 1
	RS232 (DB-9pin)	x 1
<b>Dimensions</b>	Dimensions(W x H x D)	311.81 x 104.7 x 244.12 mm (with feet)
	Weight	2.6kg(5.73bs)
<b>Power</b>	Power Supply	AC100 to 240 V, 50 to 60 Hz
	Power Consumption	Normal 270W, Eco 220W, Standby <0.5W
<b>Audible Noise</b>	33/28 dBA (Normal/Economic mode)	
<b>On-Screen Display Languages</b>	Arabic/Bulgarian/ Croatian/ Czech/ Danish/ Dutch/ English/ Finnish/ French/ German/ Greek/ Hindi/ Hungarian/ Italian/ Indonesian/ Japanese/ Korean/ Norwegian/ Polish/ Portuguese/ Romanian/ Russian/ Simplified Chinese/Spanish/ Swedish/ Turkish/ Thai/ Traditional Chinese (28 Languages)	
<b>Picture Modes</b>	Dynamic/Presentation/sRGB/Cinema/(3D)/User 1/User 2	
<b>Accessories</b>	<b>Standard</b>	<b>Optional</b>
	Lens Cover	Spare Lamp Kit
	Remote Control w/ Battery	Wall Mount
	Power Cord (by region)	Carry bag
	User Manual CD	3D Glasses
	Quick Start Guide	
	Warranty Card (by region)	
	VGA(D-sub 15pin) Cable	

\*Lamp life results will vary depending on environmental conditions and usage. Actual product's features and specifications are subject to change without notice.

# TH681 Digital Projector

## Distance Chart

Installation for a 16:9 ratio screen



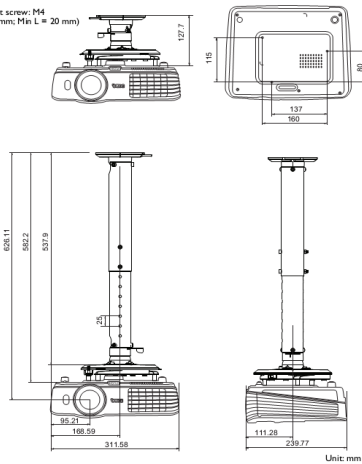
■ The screen aspect ratio is 16:9 and the projected picture is 16:9

Screen dimensions			Projection distance <D> [mm]			
Diagonal <A> [inch (mm)]	Height <B> [mm]	Width <C> [mm]	Min distance (with max zoom)	Average	Max distance (with min zoom)	Lowest/ Highest lens position <E> [mm]
40 (1016)	498	886	1013	1165	1316	25
50 (1270)	623	1107	1266	1456	1646	31
60 (1524)	747	1328	1519	1747	1975	37
70 (1778)	872	1550	1772	2038	2304	44
80 (2032)	996	1771	2025	2329	2633	50
90 (2286)	1121	1992	2278	2620	2962	56
100 (2540)	1245	2214	2532	2911	3291	62
110 (2794)	1370	2435	2785	3203	3620	68
120 (3048)	1494	2657	3038	3494	3949	75
130 (3302)	1619	2878	3291	3785	4278	81
140 (3556)	1743	3099	3544	4076	4608	87
150 (3810)	1868	3321	3797	4367	4937	93
160 (4064)	1992	3542	4051	4658	5266	100
170 (4318)	2117	3763	4304	4949	5595	106
180 (4572)	2241	3985	4557	5241	5924	112
190 (4826)	2366	4206	4810	5532	6253	118
200 (5080)	2491	4428	5063	5823	6582	125
235 (5969)	2926	5202	5949	6842	7734	146

## Wall mount/Ceiling mount Chart

Ceiling mount installation

Ceiling Mount screw: M4  
(Max L = 25 mm; Min L = 20 mm)



## Dimension

