

Highlights

- Ultra Short Throw
- Designed for Education
- Easy Installation & Control
- Easy Maintenance

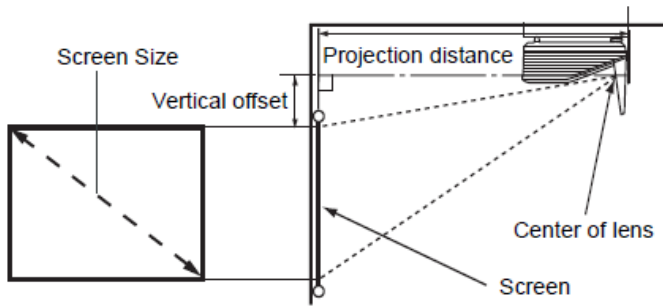


Projection System	DLP		
Native Resolution	XGA(1024x768)		
Brightness	2500AL		
Contrast Ratio	13000:1		
Display Color	1.07 Billion Colors		
Lens	F=2.65		
Aspect Ratio	Native 4:3 (5 aspect ratio selectable)		
Throw Ratio	0.45 (81" @ 0.74m)		
Image Size (Diagonal)	50"~300"		
Zoom Ratio	Fixed		
Lamp Type	UHP230W		
Lamp (Normal/Eco Mode/Smart Eco)*	3500/5000/6500hr		
Keystone Adjustment	1D, Vertical +/- 15 degrees (Manual)		
Projection Offset	150%+-5%		
Resolution Support	VGA(640 x 480) to UXGA(1600 x 1200)		
Horizontal Frequency	31K~102KHz		
Vertical Scan Rate	23~120Hz		
Compatibility	HDTV Compatibility	480i, 480p, 576i, 576p, 720p, 1080i, 1080p	
	Video Compatibility	NTSC, PAL, SECAM	
	3D Compatibility	PC: 120Hz Frame Sequential 3D for resolutions up to WXGA 60Hz Top-bottom 3D for resolutions up to SXGA+ 60Hz Frame Sequential 3D resolutions up to WXGA Video: 60Hz Frame Sequential 3D for resolutions up to 480i	
Interface	Computer in (D-sub 15pin)	x 2 (shared with Component video)	
	Monitor out (D-sub 15pin)	x 1	
	Composite Video in (RCA)	x 1	
	S-Video in (Mini DIN 4pin)	x 1	
	Audio in (Mini Jack)	x 2	
	Audio L/R in (RCA)	x 2	
	Audio out (Mini Jack)	x 1	
	Microphone in (Mini Jack)	x 1	
	Speaker	10W x 2	
	LAN (RJ45)	x 1 (LAN Control)	
	HDMI V1.3	x 1	
	USB (Type Mini B)	x 1 (USB Download & Page up/down)	
	DC 12V Trigger (3.5mm Jack)	x 1	
	RS232 (DB-9pin)	x 1	
Dimensions	Dimensions(W x H x D)	339 x 236.9 x 322.8 mm	
	Weight	5.3kg	
Power	Power Supply	100 to 240 VAC, 50 to 60 Hz	
	Power Consumption	321W, Standby<0.5W	
Audible Noise	33/27 dBA (Normal/Economic mode)		
On-Screen Display Languages	Arabic/Bulgarian/ Croatian/ Czech/ Danish/ Dutch/ English/ Finnish/ French/ German/ Greek/ Hungarian/Hindi/Italian/ Indonesian/ Japanese/ Korean/ Norwegian/ Polish/ Portuguese/ Romanian/ Russian/ Simplified Chinese/Spanish/ Swedish/ Turkish/ Thai/ Traditional Chinese (28 Languages)		
Picture Modes	Dynamic/Presentation/sRGB/Cinema/User 1/User 2		
Accessories	Standard	Optional	
	Remote Control w/ Battery	Presentation Plus	P/N: 65J9306.002
	Power Cord (by region)	Spare Lamp Kit	P/N: 5JJ4V05.001
	User Manual CD	Wall Mount (T/R 0.4)	P/N: 5JJ4V10.001
	Quick Start Guide	3D Glasses	P/N: 5JJ0T14.011
	Warranty Card (by region)		
	VGA(D-sub 15pin) Cable		

*Lamp life results will vary depending on environmental conditions and usage. Actual product's features and specifications are subject to change without notice.

*Each region has different wireless dongle P/N, please check PM-BM file for detail.

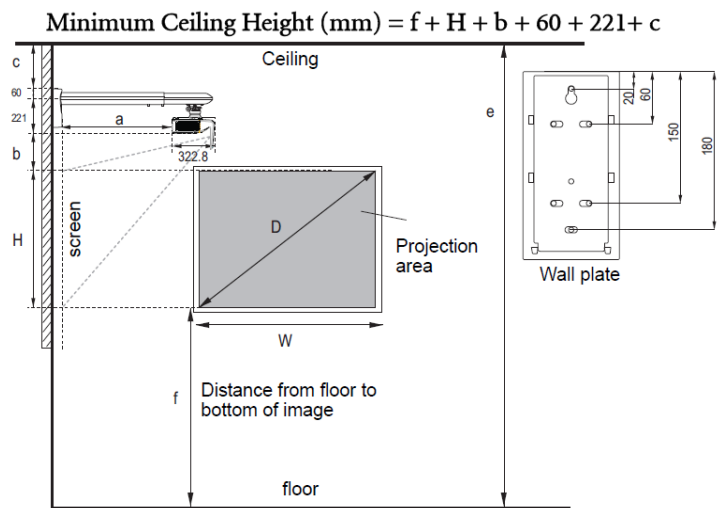
Distance Chart



Screen Size				Distance from Screen in mm	Vertical offset in mm
Diagonal		W	H		
Inches	mm	(mm)	(mm)		
50	1270	1016	762	421	190.5
60	1524	1219	914	514	228.6
70	1778	1422	1067	606	266.7
80	2032	1626	1219	699	304.8
90	2286	1829	1372	791	342.9
100	2540	2032	1524	884	381.0
120	3048	2438	1829	1069	457.2
150	3810	3048	2286	1347	571.5
200	5080	4064	3048	1810	762.0
220	5588	4470	3353	1995	838.2
240	6096	4877	3658	2180	914.4
260	6604	5283	3962	2365	990.6
280	7112	5690	4267	2551	1066.8
300	7620	6096	4572	2736	1143.0

Wall mount/Ceiling mount Chart

Computer Resolution: XGA Image Resolution: XGA	Diagram Reference	SMART Board 660	Smart Board 680	Promethean ActivBoard 164	Promethean ActivBoard 178	RM ClassBoard2 77.5	Hitachi StarBoard FX-83	StarBoard FX-77
Image Diagonal (inches)	D	64	77	64	78	78	63	77
Image Height (mm)	H	975	1173	975	1189	1181	960	1173
Image Width (mm)	W	1300	1565	1300	1585	1575	1280	1565
Distance from floor to bottom of image (mm)	f	900	900	900	900	900	900	900
Distance from screen surface to projector rear case (mm)	a	257	377	257	386	386	247	377
Distance from top case to the top of image (mm)	b	244	293	244	297	295	240	293
Distance from top of wall mount to ceiling (mm)	c	50	50	50	50	50	50	50
Minimum Ceiling Height (mm)	e	2450	2697	2450	2717	2707	2431	2697



The dimensions are based on the BenQ wall mount (P/N: 5J.J4V10.001).

Dimension



339mm



236.9mm

