



Model Name MS504 Digital Projector **Distance Chart**

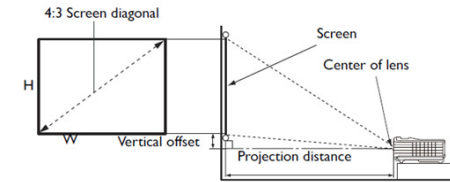
Unique selling point

- * SmartEco Power Saving technology
- * Up to 10000 hours Long lamp life
- * <0.5W standby mode
- * New 3D format for entertainment

Trade Mark



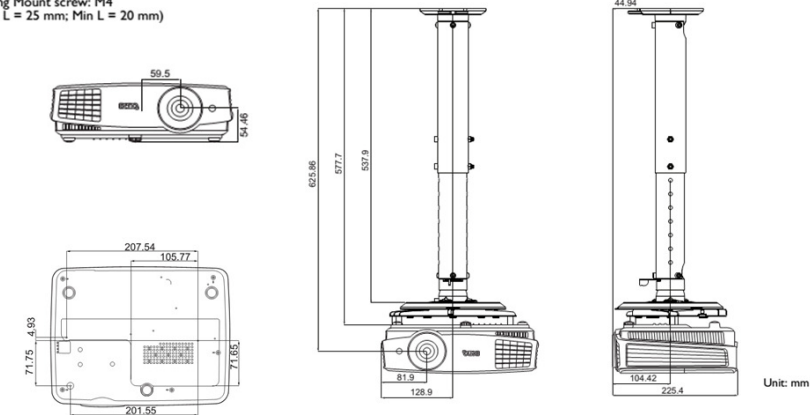
Screen size			Distance from screen (mm)			Vertical offset (mm)
Diagonal	W (mm)	H (mm)	Min length (max. zoom)	Average	Max length (min. zoom)	
Inch	mm					
30	762	610	457	1134	1191	1247
40	1016	813	610	1512	1587	1663
50	1270	1016	762	1890	1984	2079
60	1524	1219	914	2268	2381	2494
80	2032	1626	1219	3024	3175	3326
100	2540	2032	1524	3780	3968	4157
120	3048	2438	1829	4535	4762	4989
150	3810	3048	2286	5669	5953	6236
200	5080	4064	3048	7559	7937	8315
220	5588	4470	3353	8315	8731	9146
250	6350	5080	3810	9449	9921	10394
300	7620	6096	4572	11339	11905	12472



Projection System	DLP
Native Resolution	SVGA(800 x 600)
Brightness	3000AL
Contrast Ratio	13000:1
Display Color	1.07 Billion Colors
Lens	F=2.56-2.8, f=21-23.1mm
Aspect Ratio	Native 4:3 (5 aspect ratio selectable)
Throw Ratio	1.86-2.04 (53"@2m)
Image Size (Diagonal)	30"-300"
Zoom Ratio	1.1:1
Lamp Type	190W
Lamp(Normal/Economic/SmartEco/ LampSaveMode)*	4500/6000/6500/10000 hours
Keystone Adjustment	1D, Vertical +/- 40 degrees
Projection Offset	120% ±5%
Resolution Support	VGA(640 x 480) to UXGA(1600 x 1200)
Horizontal Frequency	15-102KHz
Vertical Scan Rate	23-120Hz

Wall mount/Ceiling mount Chart

Ceiling Mount screw: M4 (Max L = 25 mm; Min L = 20 mm)



Compatibility	HDTV Compatibility	480i, 480p, 576i, 576p, 720p, 1080i, 1080p
	Video Compatibility	NTSC, PAL, SECAM
	3D Compatibility (Please refer to User's Manual for detailed support timing.)	Frame Sequential: Up to 720p 60Hz (Video), Up to WXGA 120Hz (PC Timing) Side by Side: Up to 1680 x 1050 60Hz (PC Timing) Top Bottom: Up to 1680 x 1050 60Hz (PC Timing)

Interface	Computer in (D-sub 15pin)	x 2(Share with component)
	Monitor out (D-sub 15pin)	x 1
	Composite Video in (RCA)	x 1
	S-Video in (Mini DIN 4pin)	x 1
	Audio in (Mini Jack)	x 1
	Audio out (Mini Jack)	x 1
	Speaker	2W x 1
	USB (Type Mini B)	x1 (Download & page/down)
	RS232 (DB-9pin)	x 1
	IR Receiver	x1 (Front)

Dimensions	Dimensions(W x H x D)	283 x 95 x 222 mm (include feet) 283 x 88.7 x 222 (exclude feet)
	Weight	1.8kg (3.96lbs)
Power	Power Supply	AC100 to 240 V, 50 to 60 Hz
	Power Consumption	270W(Normal), 220W (Eco) Standby<0.5W

Audible Noise	33/28 dBA (Normal/Economic mode)
On-Screen Display Languages	Arabic/Bulgarian/ Croatian/ Czech/ Danish/ Dutch/ English/ Finnish/ French/ German/ Greek/ Hindi/ Hungarian/ Italian/ Indonesian/ Japanese/ Korean/ Norwegian/ Polish/ Portuguese/ Romanian/ Russian/ Simplified Chinese/Spanish/ Swedish/ Turkish/ Thai/ Traditional Chinese (28 Languages)
Picture Modes	Dynamic/Presentation/sRGB/Cinema/User 1/User 2

Accessories	Standard	Optional
	Remote Control w/ Battery	Spare Lamp Kit
	Power Cord (by region)	Ceiling Mount
	Quick Start Guide	3D Glasses
	Warranty Card (by region)	Carry bag
	VGA(D-sub 15pin) Cable	

Dimension



*Lamp life results will vary depending on environmental conditions and usage. Actual product's features and specifications are subject to change without notice.