



MW860USTi Digital Projector

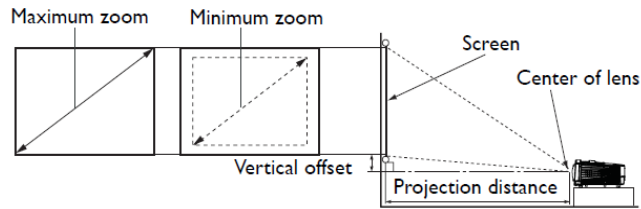
- PointDraw™ Interactive Projector with PD pen 2.0 (supports duo pen simultaneously)
- Short Throw
- Microphone in with 2x 10 Watt speakers
- LAN display
- BrilliantColor™



Projection System	DLP®	
Native Resolution	WXGA (1280x800)	
Brightness	3000 ANSI lumens	
Contrast Ratio	2600:1 (Full on/Full off)	
Display Color	1.07 Billion Colors	
Lens	F=2.7, f=5.45mm	
Aspect Ratio	Native 16:10 (5 aspect ratio selectable)	
Throw Ratio	0.37 (87" @0.73m)	
Image Size (Diagonal)	60~300"	
Zoom Ratio	Fixed	
Lamp Type	225W	
Lamp (Normal/Economic Mode)*	2500/4000 hrs (Normal/Economic mode)	
Keystone Adjustment	1D, Vertical ±40 degrees	
Projection Offset	125% ±5%	
Resolution Support	VGA(640 x 480) to UXGA(1600 x 1200)	
Horizontal Frequency	31K-102KHz	
Vertical Scan Rate	23-120Hz	
Compatibility	HDTV Compatibility	480i, 480p, 576i, 576p, 720p, 1080i, 1080p
	Video Compatibility	NTSC, PAL, SECAM
	3D Compatibility	PC: 120Hz Frame Sequential 3D for resolutions up to WXGA, PC: 60Hz Top-bottom 3D for resolutions up to SXGA+ Video: 60Hz Frame Sequential 3D for resolutions up to 480i
Interface	Computer in (D-sub 15pin)	x 2 (Share with Component video in)
	Monitor out (D-sub 15pin)	x 1
	HDMI (V1.3)	x 1
	Composite Video in (RCA)	x 1
	S-Video in (Mini DIN 4pin)	x 1
	Audio in (Mini Jack)	x 1
	Audio L/R in (RCA)	x 1
	Audio out (Mini Jack)	x 1
	Microphone in (Mini jack)	x 1
	Speaker	10W x 2
	LAN (RJ45)	x 1
	USB TypeA/TypeB/mini TypeB	x2/x1/x1(download)
	RS232 (DB-9pin)	x 1
	IR Receiver	x 2
Dimensions	Dimensions(W x H x D)	330x154x278mm
	Weight	4.1kg (9.1 lbs)
Power	Power Supply	AC 100 to 240 V, 50/60 Hz
	Power Consumption	310W, Standby<1W
Audible Noise	27/25 dBA (Normal/Economic mode)	
On-Screen Display Languages	Bulgarian/ Croatian/ Czech/ Danish/ Dutch/ English/ Finnish/ French/ German/ Hungarian/ Italian/ Japanese/ Korean/ Norwegian/ Polish/ Portuguese/ Romanian/ Russian/ Simplified Chinese/Spanish/ Swedish/ Turkish/ Thai/ Traditional Chinese (24 Languages)	
Picture Modes	Dynamic/Presentation/sRGB/Cinema/User 1/User 2	
Accessories	Standard	Optional
	Remote Control w/ Battery	Wireless Dongle
	Power Cord (by region)	Spare Lamp Kit
	User Manual CD/Quick Start Guide	PD pen 2.0
	Warranty Card (by region)	Carry Bag
	VGA(D-sub 15pin) Cable	Presentation Plus
	PD pen 2.0	

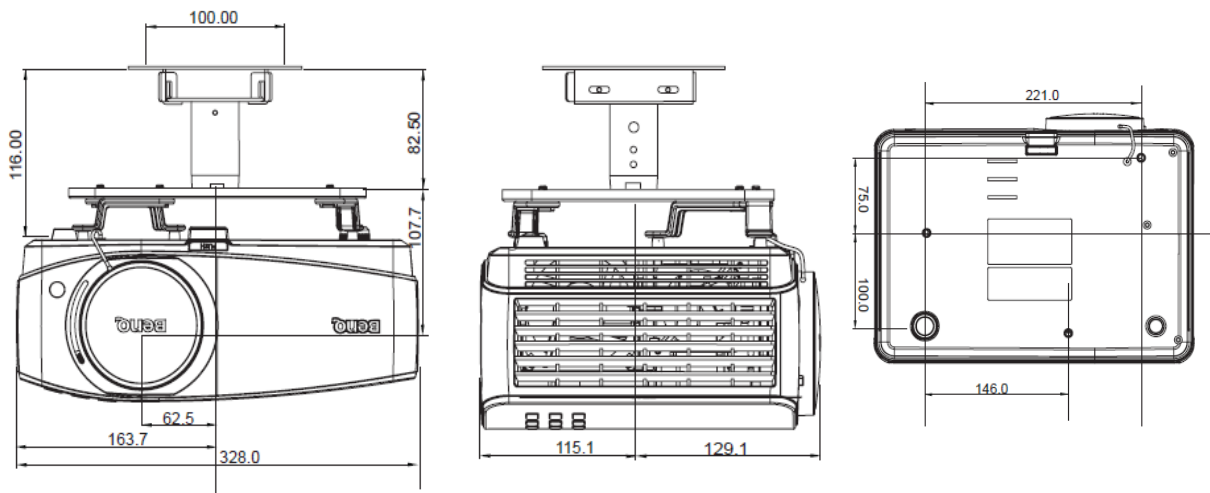
*Lamp life results will vary depending on environmental conditions and usage. Actual product's features and specifications are subject to change without notice.

Distance Chart



Screen size				Distance from screen (mm)	Vertical offset (mm)
Diagonal		W (mm)	H (mm)		
Inch	mm				
40	1016	862	538	294	67
50	1270	1077	673	381	84
60	1524	1292	808	468	101
80	2032	1723	1077	642	135
100	2540	2154	1346	817	168
120	3048	2585	1615	991	202
150	3810	3231	2019	1253	252
200	5080	4308	2692	1689	337
250	6350	5385	3365	2125	421
300	7620	6462	4039	2561	505

Ceiling mount Chart



Dimension

