

BenQ MS502 Digital Projector

Highlights

- SmartEco Technology
- Long Lamp Life
- High Contrast Ratio
- BrilliantColor™
- 3D Ready

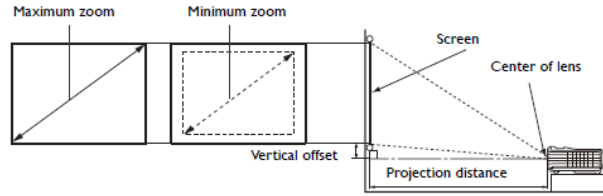


Projection System	DLP		
Native Resolution	SVGA(800 x 600)		
Brightness	2700 ANSI lumens		
Contrast Ratio	13000:1		
Display Color	1.07 Billion Colors		
Lens	F=2.56-2.8, f=21-23.1mm		
Aspect Ratio	Native 4:3 (5 aspect ratio selectable)		
Throw Ratio	1.86 - 2.04 (53"@2m)		
Image Size (Diagonal)	40"-300"		
Zoom Ratio	1.1:1		
Lamp Type	190W		
Lamp (Normal/Economic Mode)*	4500/6000/6500 hours		
Keystone Adjustment	1D, Vertical +/- 40 degrees		
Projection Offset	120%		
Resolution Support	VGA(640 x 480) to UXGA(1600 x 1200)		
Horizontal Frequency	31K~102KHz		
Vertical Scan Rate	23~120Hz		
Compatibility	HDTV Compatibility	480i, 480p, 576i, 576p, 720p, 1080i, 1080p	
	Video Compatibility	NTSC, PAL, SECAM	
	3D Compatibility	PC: 120Hz Frame Sequential 3D for resolutions up to 1080p	
Interface	Computer in (D-sub 15pin)	x 2(shared with Component)	
	Monitor out (D-sub 15pin)	x 1	
	Composite Video in (RCA)	x 1	
	S-Video in (Mini DIN 4pin)	x 1	
	Audio in (Mini Jack)	x 1	
	Audio out (Mini Jack)	x 1	
	Speaker	2W x 1	
	USB (Type Mini B)	x 1	
	RS232 (DB-9pin)	x 1	
Dimensions	Dimensions(W x H x D)	287.3x114.4x 232.6 mm	
	Weight	2.3kg (5.29lbs)	
Power	Power Supply	AC 100 to 240 V, 50/60 Hz	
	Power Consumption	275W, Standby<0.5W	
Audible Noise	33/26 dBA (Normal/Economic mode)		
On-Screen Display Languages	English/ France/ Germany/ Italian/ Spanish/ Russian/ Traditional Chinese/ Simplified Chinese/ Japanese/ Korean/ Swedish/ Dutch/ Turkish/ Czech/ Portuguese/ Thai/ Polish/ Hungarian/ Croatian/ Romanian/ Norwegian/ Danish/ Bulgaria/ Finnish/ Indonesian/ Greek/ Hindi/ Arabic (28 Languages) * The available languages will depend on different sale region.		
Picture Modes	Dynamic/Presentation/sRGB/Cinema/User 1/User 2		
Accessories	Standard	Optional	
	Remote Control w/ Battery	Presentation Plus	P/N: 65.J9306.002
	Power Cord (by region)	Spare Lamp Kit	P/N: 5J.J6D05.001
	User Manual CD	Ceiling Mount	P/N: 5J.J2K01.001
	Quick Start Guide	3D Glasses	P/N: 5J.J0T14.011
	Warranty Card (by region)	Carry Bag	P/N: 5J.J3T09.001
	VGA(D-sub 15pin) Cable		

*Lamp life results will vary depending on environmental conditions and usage. Actual product's features and specifications are subject to change without notice.

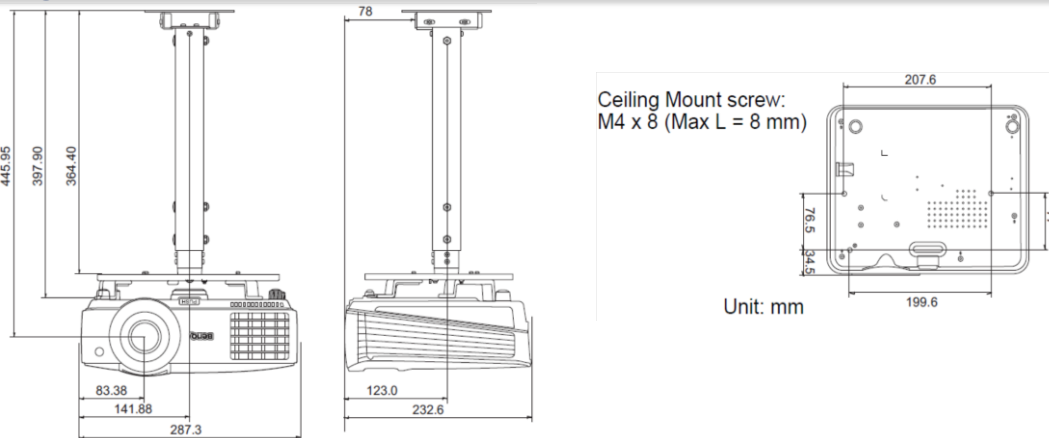
MS502 Digital Projector

Distance Chart



Screen size				Distance from screen (mm)			Vertical offset (mm)
Diagonal		W (mm)	H (mm)	Min length (max. zoom)	Average	Max length (min. zoom)	
Inch	mm						
30	762	610	457	1132	1189	1245	46
40	1016	813	610	1509	1585	1660	61
50	1270	1016	762	1887	1981	2075	76
60	1524	1219	914	2264	2377	2491	91
80	2032	1626	1219	3019	3170	3321	122
100	2540	2032	1524	3774	3962	4151	152
120	3048	2438	1829	4528	4755	4981	183
150	3810	3048	2286	5660	5943	6226	229
200	5080	4064	3048	7547	7925	8302	305
220	5588	4470	3353	8302	8717	9132	335
250	6350	5080	3810	9434	9906	10377	381
300	7620	6096	4572	11321	11887	12453	457

Ceiling mount Chart



Dimension



BENQ