



Model Name **MS517 Digital Projector**

Unique selling point

- * SmartEco Power Saving technology
- * Up to 6500hours Long lamp life
- * <0.5W standby mode
- * Various 3D format for entertainment

Trade Mark



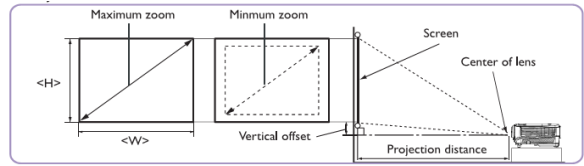
Projection System	DLP	
Native Resolution	SVGA(800 x 600)	
Brightness	2800AL	
Contrast Ratio	13000:1	
Display Color	1.07 Billion Colors	
Lens	F=2.51~2.69 f=21.95mm~24.18mm	
Aspect Ratio	Native 4:3 (5 aspect ratio selectable)	
Throw Ratio	1.97-2.17 (50"@ 2m)	
Image Size (Diagonal)	30"~300"	
Zoom Ratio	1.1:1	
Lamp Type	190W	
Lamp(Normal/Economic/SmartEco Mode)*	4500/6000/6500 hours	
Keystone Adjustment	1D, Vertical +/- 40 degrees	
Projection Offset	130% ±5%	
Resolution Support	VGA(640 x 480) to UXGA(1600 x 1200)	
Horizontal Frequency	15~102KHz	
Vertical Scan Rate	23~120Hz	
Compatibility	HDTV Compatibility	480i, 480p, 576i, 576p, 720p,
	Video Compatibility	NTSC, PAL, SECAM
Interface	Computer in (D-sub 15pin)	x 2(Share with component)
	Monitor out (D-sub 15pin)	x 1
	Composite Video in (RCA)	x 1
	S-Video in (Mini DIN 4pin)	x 1
	HDMI	x1
	Audio in (Mini Jack)	x 2
	Audio out (Mini Jack)	x 1
	Speaker	2W x 1
	USB (Type B)	x1 (Download & page/down)
	RS232 (DB-9pin)	x 1
	IR Receiver	x1 (Front)
Dimensions	Dimensions(W x H x D)	302.8 x 111.8x 221.8 mm
	Weight	2.3kg (5.06lbs)
Power	Power Supply	AC100 to 240 V, 50 to 60 Hz
	Power Consumption	245W(typical), Standby<0.5W
Audible Noise	32/30 dBA (Normal/Economic mode)	
On-Screen Display Languages	Arabic/Bulgarian/ Croatian/ Czech/ Danish/ Dutch/ English/ Finnish/ French/ German/ Greek/ Hindi/ Hungarian/ Italian/ Indonesian/ Japanese/ Korean/ Norwegian/ Polish/ Portuguese/ Romanian/ Russian/ Simplified Chinese/Spanish/ Swedish/ Turkish/ Thai/ Traditional Chinese (28 Languages)	
Picture Modes	Dynamic/Presentation/sRGB/Cinema/User 1/User 2	
Accessories	Standard	Optional
	Lens Cover	Presentation Plus 5Jj9301.001
	Remote Control w/ Battery	Spare Lamp Kit 5Jj6L05.001
	Power Cord (by region)	Ceiling Mount 5Jj4N10.001
	User Manual CD	3D Glasses 5Jj7K25.001
	Quick Start Guide	Carry bag 5Jj4R09.001
	Warranty Card (by region)	
	VGA(D-sub 15pin) Cable	

*Lamp life results will vary depending on environmental conditions and usage. Actual product's features and specifications are subject to change without notice.

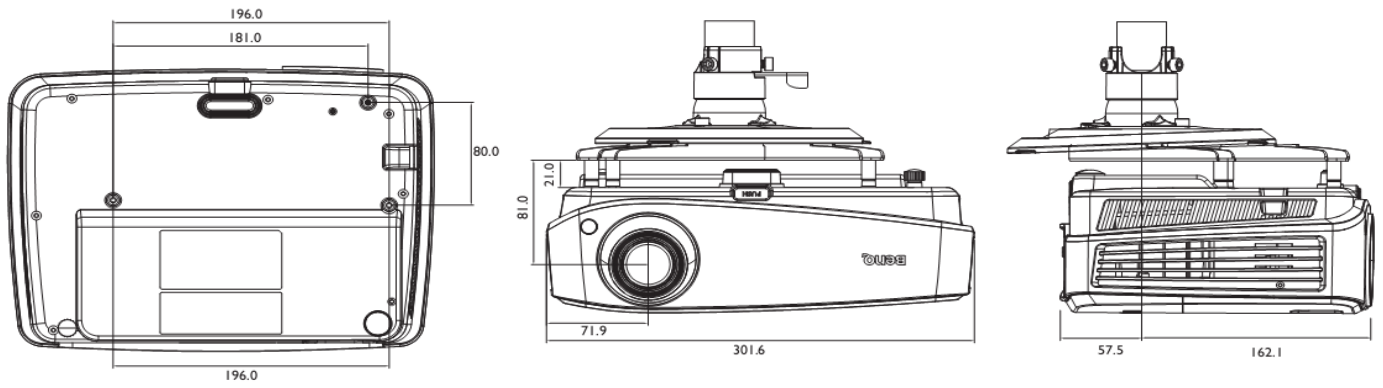
MS517 Digital Projector

Distance Chart

Screen size				Distance from screen(mm)			Vertical offset (mm)
Diagonal		W	H	Min length	Average	Max length	
Inch	mm	(mm)	(mm)	(man. zoom)		(min. zoom)	
30	762	610	457	1200	1260	1320	69
40	1016	813	610	1600	1680	1760	91
50	1270	1016	762	2000	2100	2200	114
60	1524	1219	914	2400	2520	2640	137
80	2032	1626	1219	3200	3360	3520	183
100	2540	2032	1524	4000	4200	4400	229
120	3048	2438	1829	4800	5040	5280	274
150	3810	3048	2286	6000	6300	6600	343
200	5080	4064	3048	8000	8400	8800	457
220	5588	4470	3353	8800	9240	9680	503
250	6350	5080	3810	10000	10500	11000	572
300	7620	6096	4572	12000	12600	13200	686



Wall mount/Ceiling mount Chart



Dimension

