

Data sheet

BenQ PL460

Large Format Display

- Full HD 1920 x 1080
- Super narrow bezel (B-B 5.4 mm)
- Ambient light sensor
- RS-232 / Lan-control
- Brightness 500 cd/m²
- DVI-D daisy chain



HDMI
VA LED

Panel

Model : PL460
Art. No. / EAN Code : 9H.F0APQ.NA2 / 471 8755 04646 9
Typ : 116.84 cm / 46" Wide TFT Panel
native Resolution : 1920 x 1080 Full HD 1080p / 16:9
Panel : 10 Bit (8bit+FRC)
Pixel pitch : 0.53 mm
Max. colors : 1.07 Mrd.
Backlight : direct LED
Viewing angle H / V : 178° / 178°
Contrast (static) : 4.000:1
Brightness : 500 cd/m²
Response time : 6.5 ms

Input- / Output

Input : Line in (3,5mm), Power AC, HDMI x2, DVI-D, VGA, DP, RS232, Component Video YPbPr (RCA), S-Video, Composite Video (BNC), Composite Audio (RCA), RJ45, IR in
Output : Power AC, Speaker L/R, DVI-D, VGA, RS232, Composite Video (BNC), Composite Audio (RCA), IR out

Software

Multiple Display Control (MDA) : Supported OS: WinXP 32 bit, WinVista 32/64 bit SP2, Windows 7 32/64 bit

OSD control on backside : On/Off - Switch, 6 OSD buttons , Standby button
Features : Image Setting, Source / Volume Control, VGA Daisy Chain, DVI-D Daisy Chain, RS232 Control Daisy Chain, ID Setting, Sharpness Enhancement, Proof of Image Retention, Diming Control (Adaptive Contrast), Picture in Picture (PIP), Picture by Picture, DVI-D-HDCP, HDMI-HDCP, De-Interlacing / Comp Filter, 10-bit Color Processing, Build-in Video Wall support, Scheduling, Ambient light sensor, Total Turn-On time, Diagnostic DC (12V/5V), Internal Temperature Sensor, CEC Control

Extra

Internal Speaker : 12W x 2
Mounting : 400 x 400 mm

Energy

Operating hour per day : 24/7
Power supply : Internal
Voltage for operation : 100 ~ 240 VAC ; 50 / 60 Hz
Power consumption (max.) : < 300 W
(Sleep mode) : < 0.5 W

Certification

Environment

Safety : CE
Operation : + 0 ~ +40°C ; 20 ~ 90% air humidity
Storage : -20 ~ +60°C ; 10 ~ 90% air humidity

Characteristic

Weight net. : 25 kg
Housing color / Material : black / metal
Bezel width : 3.4 mm (left / top) ; 2 mm (right / bottom)
Dimension (W x H x D) : 1023.7 x 578.3 x 106.7 mm
Standard Accessories : Quick Start Guide, CD-Manual, Remote with battery , Power- and VGA cable

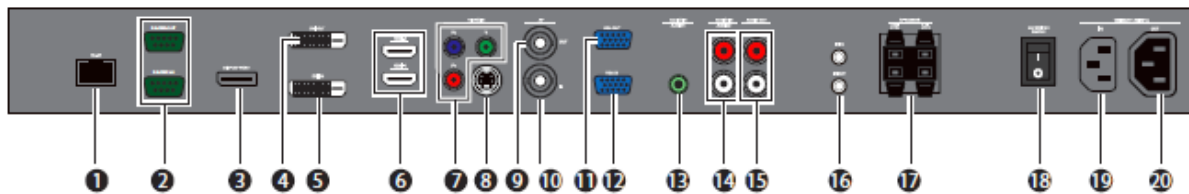
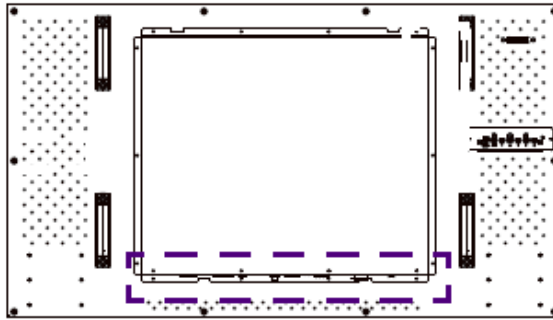
Optional color calibration : Supported OS: WinXP 32/64 bit, Winserver 2003, WinVista 32/64 bit, Windows 7 32/64 bit

Warranty terms : 3 years on-site exchange



Data sheet

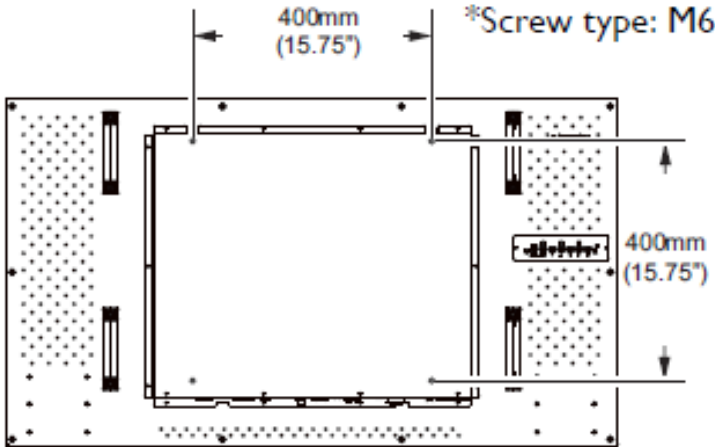
Input/output terminals



No.	Name	Description
1	RJ-45	Connects to the RJ-45 port on your Ethernet or router.
2	RS232C IN/OUT	For external control and multi-display operation. <ul style="list-style-type: none"> • RS232C IN: receives control signals from a computer or another display. • RS232C OUT: outputs control signals from the RS232C IN input to another display.
3	DISPLAY PORT	Connects to a DisplayPort compatible device.
4	DVI-OUT	Outputs DVI signals from the DVI-IN to another display.
5	DVI-IN	Receives DVI signals from an external device (such as a computer).
6	HDMI-1/HDMI-2	Receives HDMI signals from an external device (such as a Blu-ray disc player).
7	VIDEO IN (YPbPr)	Receives component video (YPbPr) signals from an external device (such as a DVD player, HDTV device or Laser disc player).
8	VIDEO IN (S-VIDEO)	Receives S-Video signals from an external device (such as a VCR or DVD player).
9	AV OUT	Outputs composite video signals from the AV IN input to another display.
10	AV IN	Receives composite video signals from an external device (such as a VCR or DVD player).
11	VGA OUT	Outputs analog RGB signals from the VGA IN input to another display.
12	VGA IN	Receives analog RGB signals from an external device (such as a computer).
13	AUDIO IN (AUDIO1)	Receives audio signals from an external device (such as a computer).
14	AUDIO IN (AUDIO2)	Receives audio signals from an external device (such as a VCR or DVD player).
15	AUDIO OUT (R/L)	Outputs audio signals to an external device.
16	IR-IN/IR-OUT	<ul style="list-style-type: none"> • IR-IN: For use with an IR Extender - to ensure better responsiveness from the remote control. • IR-OUT: Outputs the IR signal from the IR-IN input to another display.
17	SPEAKERS (R/L)	Outputs audio signals to external speakers.
18	AC SWITCH ON/OFF	Turns on or off the main power.
19	AC IN	Connects to a power outlet via the supplied power cord.
20	AC OUT	Relays the AC power from the AC IN jack to another display.

Data sheet

Wallmount:



Dimension:

