

**Model Name****W770ST Digital Projector****Unique selling point****Trade Mark**

- \* Ideal for Home Entertainment
- \* 3D Display
- \* Easy Setup and Maintenance
- \* Blu-ray Full HD 3D support
- \* SmartEco



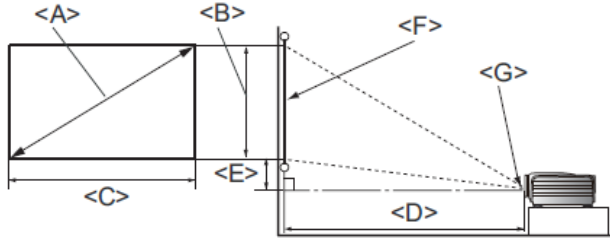
<b>Projection System</b>	0.62" DC3 DLP DMD		
<b>Native Resolution</b>	720p (1280 x 720)		
<b>Brightness</b>	2500AL		
<b>Contrast Ratio</b>	13000:1		
<b>Display Color</b>	1.07 Billion Colors		
<b>Lens</b>	F=2.6-2.78, f=10.2-12.24mm		
<b>Aspect Ratio</b>	Native 16:9 (5 aspect ratio selectable)		
<b>Throw Ratio</b>	0.72-0.87 (62.5"@1M)		
<b>Image Size (Diagonal)</b>	36"-300"		
<b>Zoom Ratio</b>	1.2:1		
<b>Lamp Type</b>	210W		
<b>Lamp(Normal/Economic/SmartEco Mode)*</b>	4000/5000/6500 hours		
<b>Keystone Adjustment</b>	1D, Vertical +/- 40 degrees		
<b>Projection Offset</b>	115% ±5%		
<b>Resolution Support</b>	Up to UXGA(1600 x 1200)		
<b>Horizontal Frequency</b>	15K~102KHz		
<b>Vertical Scan Rate</b>	23~120Hz		
<b>Compatibility</b>	HDTV Compatibility	480i, 480p, 576i, 567p, 720p, 1080i, 1080p	
	Video Compatibility	NTSC, PAL, SECAM, SDTV	
	3D Compatibility	Refer 3D Compatibility control table	
<b>Interface</b>	Computer in (D-sub 15pin)	x 1	
	HDMI (v1.4a)	x 2	
	Composite Video in (RCA)	x 1	
	S-Video in (Mini DIN 4pin)	x 1	
	Component Video in	x 1	
	Audio in (Mini Jack)	x 1	
	Audio L/R in (RCA)	x 1	
	Audio out (Mini Jack)	x 1	
	Speaker	10W x 1	
	USB (Type mini B)	x 1	
	RS232 (DB-9pin)	x 1	
	IR Receiver	x2	
<b>Dimensions</b>	Dimensions(W x H x D)	324.7 x 113.8 x 253.4 mm	
	Weight	2.7 kg	
<b>Power</b>	Power Supply	AC 100 to 240 V, 50/60 Hz	
	Power Consumption	275W (typical), Standby< 0.5W	
<b>Audible Noise</b>	34/30 dBA (Normal/Economic mode)		
<b>On-Screen Display Languages</b>	Arabic/Bulgarian/ Croatian/ Czech/ Danish/ Dutch/ English/ Finnish/ French/ German/ Greek/ Hindi/ Hungarian/ Italian/ Indonesian/ Japanese/ Korean/ Norwegian/ Polish/ Portuguese/ Romanian/ Russian/ Simplified Chinese/Spanish/ Swedish/ Turkish/ Thai/ Traditional Chinese (28 Languages)		
<b>Picture Modes</b>	Dynamic/Standard/Cinema/3D/User 1/User 2/User 3		
<b>Accessories</b>	<b>Standard</b>	<b>Optional</b>	
	Carry Bag	Spare Lamp Kit	P/N: 5JJ7K05.001
	Remote Control w/ Battery	Ceiling Mount	P/N: 5JJ4N10.001
	Power Cord (by region)	3D Glasses	P/N: 5JJ7K25.011
	User Manual CD		
	Quick Start Guide		
	Warranty Card (by region)		
	VGA (D-sub 15pin) Cable		

\*Lamp life results will vary depending on environmental conditions and usage. Actual product's features and specifications are subject to change without notice.

**Distance Chart**

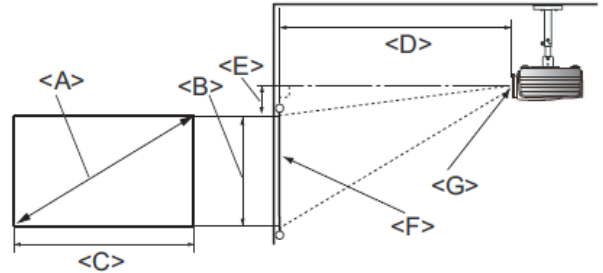
Installation for a 16:9 ratio screen

**Floor Installation**



<F>: Screen      <G>: Center of lens

**Ceiling Installation**

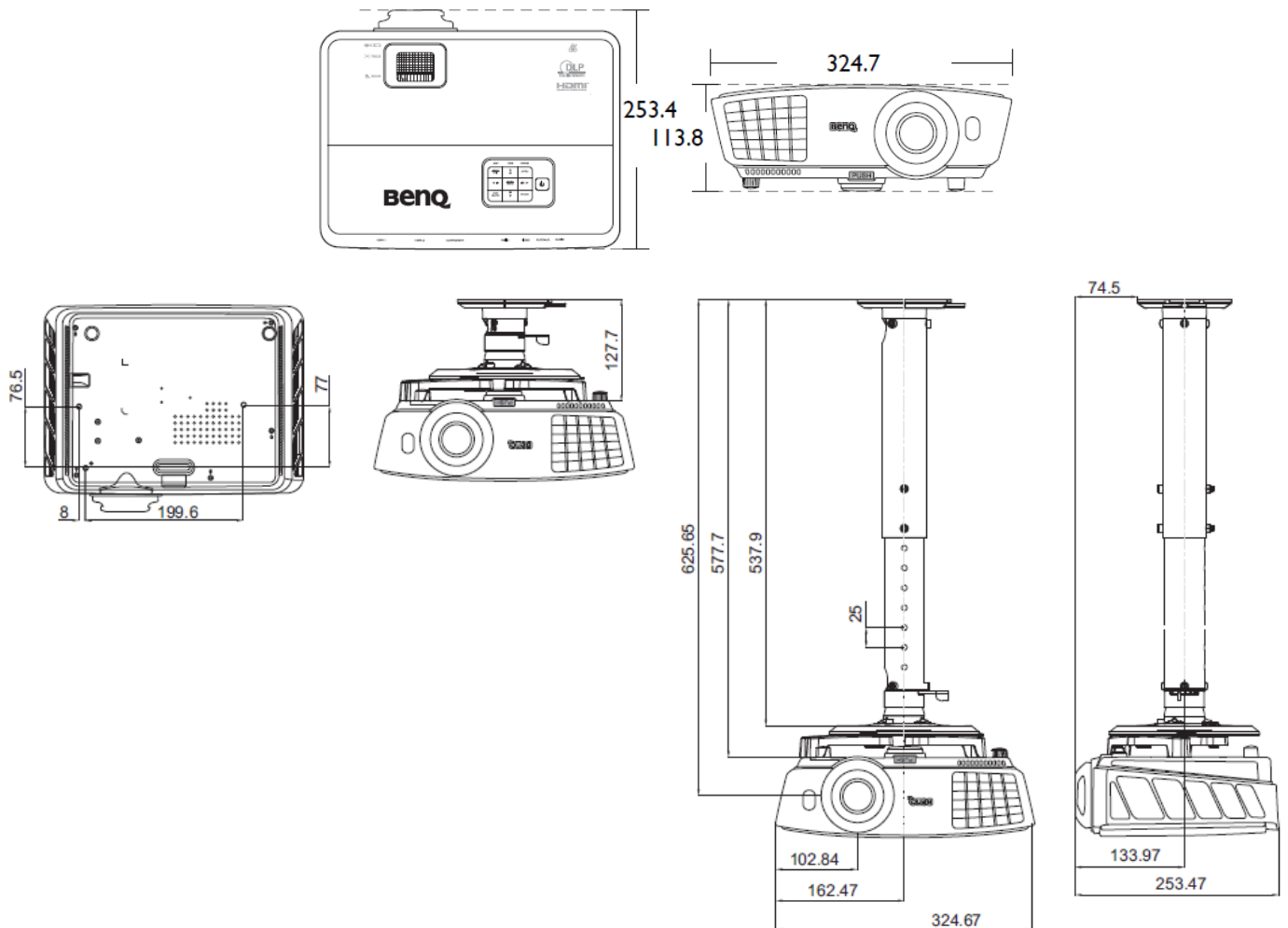


<F>: Screen      <G>: Center of lens

Screen dimensions			Projection distance <D> [mm]			Vertical offset <E> [mm]
Diagonal <A> [inch (mm)]	Height <B> [mm]	Width <C> [mm]	Min distance (with max zoom)	Average	Max distance (with min zoom)	
40 (1016)	498	886	640	704	768	37
50 (1270)	623	1107	800	880	960	47
60 (1524)	747	1328	960	1056	1152	56
70 (1778)	872	1550	1120	1232	1344	65
80 (2032)	996	1771	1280	1408	1536	75
90 (2286)	1121	1992	1440	1584	1728	84
100 (2540)	1245	2214	1600	1760	1920	93
110 (2794)	1370	2435	1760	1936	2112	103
120 (3048)	1494	2657	1920	2112	2304	112
130 (3302)	1619	2878	2080	2288	2496	121
140 (3556)	1743	3099	2240	2464	2688	131
150 (3810)	1868	3321	2400	2640	2880	140
160 (4064)	1992	3542	2560	2816	3072	149
170 (4318)	2117	3763	2720	2992	3264	159
180 (4572)	2241	3985	2880	3168	3456	168
190 (4826)	2366	4206	3040	3344	3648	177
200 (5080)	2491	4428	3200	3520	3840	187
210 (5334)	2615	4649	3360	3696	4032	196
220 (5588)	2740	4870	3520	3872	4224	205
230 (5842)	2864	5092	3680	4048	4416	215
240 (6096)	2989	5313	3840	4224	4608	224
250 (6350)	3113	5535	4000	4400	4800	233
260 (6604)	3238	5756	4160	4576	4992	243
270 (6858)	3362	5977	4320	4752	5184	252
280 (7112)	3487	6199	4480	4928	5376	262
290 (7366)	3611	6420	4640	5104	5568	271
300 (7620)	3736	6641	4800	5280	5760	280

## Wall mount/Ceiling mount Chart

**W770ST: 324.7 mm x 253.4 mm x 113.8 mm (W x D x H)**



## Dimension

