



Model Name **WI080ST+ Digital Projector**

Unique selling point **Trade Mark**

- * Full HD
- * TI Dark Chip 3
- * 3D Display
- * 6-Segment Color Wheel with 6X Speed
- * Short Throw (65.7" @ 1M)
- * Easy Setup and Maintenance
- * 2D Keystone
- * ISFccc
- * 10W Chamber Speaker
- * MHL
- * New Friendly UI
- * Optional Wireless FHD kit



Projection System	DLP	
Native Resolution	1080p (1920 x 1080)	
Brightness	2200 ANSI Lumen	
Contrast Ratio (FOFO)	10000:1	
Display Color (ANSI)	500:1	
Display Color	1.07 Billion Colors	
Lens	F= 2.6-2.78, f=10.2-12.24mm	
Aspect Ratio	Native 16:9 (5 aspect ratio selectable)	
Throw Ratio	0.69-0.83 (65.7"@ 1M)	
Image Size (Diagonal)	38"-300"	
Zoom Ratio	1.2:1	
Lamp Type	240W	
Lamp(Normal/Economic/SmartEco Mode)*	3500/5000/6000 hours	
Keystone Adjustment	2D, Vertical & Horizontal +/- 20 degrees	
Projection Offset	105%±5%	
Resolution Support	VGA(640 x 480) to WUXGA_RB(1920 x 1200) *RB=Reduced blanking	
Horizontal Frequency	15K-102KHz	
Vertical Scan Rate	23-120Hz	
Compatibility	HDTV Compatibility	480i, 480p, 576i, 567p, 720p, 1080i, 1080p
	Video Compatibility	NTSC, PAL, SECAM, SDTV
	Computer in (D-sub 15pin)	x 1
	HDMI	x 2
	MHL	x 1 (shared with HDMI2)
	Composite Video in (RCA)	x 1
	Component Video in	x 1
	Audio in (Mini Jack)	x 1
Interface	Audio L/R in (RCA)	x 1
	Audio out (Mini Jack)	x 1
	Chamber Speaker	10W x 1
	USB (Type A)	x1 (for 1.5V power supply)
	USB (Type Mini B)	x1 (for service)
	RS232 (DB-9pin)	x 1
	DC 12V Trigger	x 1
Dimensions	Dimensions(W x H x D)	312x104x244 mm
	Weight	2.85KG
Power	Power Supply	AC100 to 240 V, 50 to 60 Hz
	Power Consumption	353W/110V (typical), Standby < 0.5W
Audible Noise	31/28 dBA (Normal/Economic mode)	
On-Screen Display Languages	Arabic/Bulgarian/ Croatian/ Czech/ Danish/ Dutch/ English/ Finnish/ French/ German/ Greek/ Hindi/ Hungarian/ Italian/ Indonesian/ Japanese/ Korean/ Norwegian/ Polish/ Portuguese/ Romanian/ Russian/ Simplified Chinese/Spanish/ Swedish/ Turkish/ Thai/ Traditional Chinese (28 Languages)	
Preset Modes	** ISF Disabled: Bright/Standard/Cinema/(3D)/User 1/User 2 *** ISF Enabled: Bright/Standard/Cinema/(3D)/User 1/User 2/ISF Night/ISF Day	

	Standard	Optional	
Accessories	Remote Control w/ Battery	Spare Lamp Kit	P/N: 5JJ9H05.001
	Power Cord (by region)	Ceiling Mount	P/N: 5JJ2K01.001
	User Manual CD	3D Glasses	P/N: 5JJ7K25.011
	Quick Start Guide	Carry Bag	P/N: 5JJ3T09.001
	Warranty Card (by region)	Wireless FHD Kit (BQE)	P/N: 5JJ9H28.E02
	Lens cover	Wireless FHD Kit (BQA)	P/N: 5JJ9H28.A02
		Wireless FHD Kit (BQC)	P/N: 5JJ9H28.C02

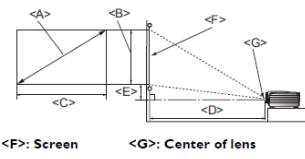
*Lamp life results will vary depending on environmental conditions and usage. Actual product's features and specifications are subject to change without notice.

** Default picture mode is Standard. When 3D is on, picture mode menu only show 3D. When 3D is off, 3D will also disappear.

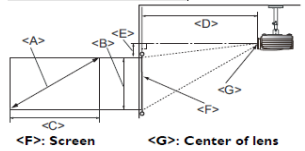
WI080ST+ Digital Projector

Distance Chart

Floor Installation



Ceiling Installation



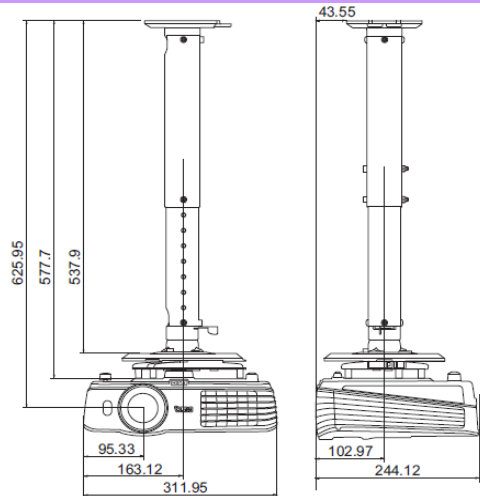
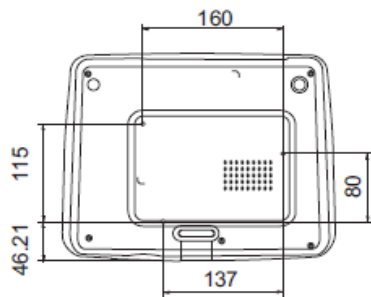
■ The screen aspect ratio is 16:9 and the projected picture is 16:9

Diagonal <A> [inch (mm)]	Screen dimensions		Projection distance <D> [mm]			Lowest/Highest lens position <E> [mm]
	Height [mm]	Width <C> [mm]	Min distance (with max zoom)	Average	Max distance (with min zoom)	
30 (762)	374	664	457	502	548	9
40 (1016)	498	886	609	670	731	12
50 (1270)	623	1107	761	837	913	16
60 (1524)	747	1328	913	1005	1096	19
70 (1778)	872	1550	1065	1172	1279	22
80 (2032)	996	1771	1218	1339	1461	25
90 (2286)	1121	1992	1370	1507	1644	28
100 (2540)	1245	2214	1522	1674	1826	31
110 (2794)	1370	2435	1674	1842	2009	34
120 (3048)	1494	2657	1826	2009	2192	37
130 (3302)	1619	2878	1979	2177	2374	40
140 (3556)	1743	3099	2131	2344	2557	44
150 (3810)	1868	3321	2283	2511	2740	47
160 (4064)	1992	3542	2435	2679	2922	50
170 (4318)	2117	3763	2588	2846	3105	53
180 (4572)	2241	3985	2740	3014	3288	56
190 (4826)	2366	4206	2892	3181	3470	59
200 (5080)	2490	4428	3044	3349	3653	62
250 (6350)	3113	5535	3805	4186	4566	78
300 (7620)	3736	6641	4566	5023	5479	93

Wall mount/Ceiling mount Chart

☉ Ceiling mount screws:
M4 (Max L = 25 mm;
Min L = 20 mm)

Unit: mm



Dimension

