



**Model Name** **WI070+ Digital Projector**

**Unique selling point**

- \* Full HD
- \* TI Dark Chip 3
- \* 3D Display
- \* 6-Segment Color Wheel with 6X Speed
- \* Vertical Lens Shift Adjustment
- \* 2D Keystone
- \* ISFccc
- \* 10W Chamber Speaker
- \* MHL
- \* New Friendly UI
- \* Optional Wireless FHD kit

**Trade Mark**



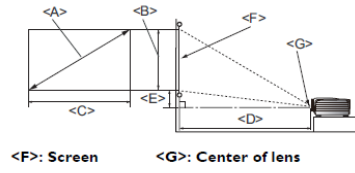
<b>Projection System</b>	DLP		
<b>Native Resolution</b>	1080p (1920 x 1080)		
<b>Brightness</b>	2200 ANSI Lumen		
<b>Contrast Ratio (FOFO)</b>	10000:1		
<b>Contrast Ratio (ANSI)</b>	560:1		
<b>Display Color</b>	1.07 Billion Colors		
<b>Lens</b>	F=2.59-2.87, f=16.88-21.88mm		
<b>Aspect Ratio</b>	Native 16:9 (5 aspect ratio selectable)		
<b>Throw Ratio</b>	1.15-1.5 (100"@2.5M)		
<b>Image Size (Diagonal)</b>	40"-235"		
<b>Zoom Ratio</b>	1.3:1		
<b>Lamp Type</b>	240W		
<b>Lamp(Normal/Economic/SmartEco Mode)*</b>	3500/5000/6000 hours		
<b>Keystone Adjustment</b>	2D, Vertical & Horizontal +/- 30 degrees		
<b>Projection Offset / Lens Shift</b>	Vertical 110%-130%±5%		
<b>Resolution Support</b>	VGA(640 x 480) to WUXGA_RB(1920 x 1200) *RB=Reduced blanking		
<b>Horizontal Frequency</b>	31K~102KHz		
<b>Vertical Scan Rate</b>	23-120Hz		
<b>Color Wheel Segment</b>	6-Segment (RGBRGB)		
<b>Color Wheel Speed</b>	6X (50Hz)		
<b>Compatibility</b>	SDTV, EDTV, HDTV Compatibility		
	Video Compatibility	480i, 480p, 576i, 567p, 720p, 1080i, 1080p NTSC, PAL, SECAM	
	Computer in (D-sub 15pin)	x 1	
	HDMI	x 2	
	MHL	x 1 (shared with HDMI2)	
	Composite Video in (RCA)	x 1	
	Component Video in	x 1	
	Audio in (Mini Jack)	x 1	
<b>Interface</b>	Audio L/R in (RCA)	x 1	
	Audio out (Mini Jack)	x 1	
	Chamber Speaker	10W x 1	
	USB (Type A)	x1 (for 1.5V power supply)	
	USB (Type Mini B)	x1 (for service)	
	RS232 (DB-9pin)	x 1	
	DC 12V Trigger	x 1	
<b>Dimensions</b>	Dimensions(W x H x D)	312 x 104 x 244 mm	
	Weight	2.75KG	
<b>Power</b>	Power Supply	AC 100 to 240 V, 50 to 60 Hz	
	Power Consumption	353W/110V (typical), Standby < 0.5W	
<b>Audible Noise</b>	31/28 dBA (Normal/Economic mode)		
<b>On-Screen Display Languages</b>	Arabic/Bulgarian/ Croatian/ Czech/ Danish/ Dutch/ English/ Finnish/ French/ German/ Greek/ Hindi/ Hungarian/ Italian/ Indonesian/ Japanese/ Korean/ Norwegian/ Polish/ Portuguese/ Romanian/ Russian/ Simplified Chinese/Spanish/ Swedish/ Turkish/ Thai/ Traditional Chinese (28 Languages)		
<b>Preset Modes</b>	ISF Disabled: Bright/(Standard)/Cinema/User 1 / User 2 ISF Disabled: Bright/Standard/Cinema/User 1/User 2/ (ISF Night)/ ISF Day		
	<b>Standard</b>	<b>Optional</b>	
<b>Accessories</b>	Remote Control w/ Battery	Spare Lamp Kit	P/N: 5J.J7L05.001
	Power Cord (by region)	Ceiling Mount	P/N: 5J.J2K01.001
	User Manual CD	3D Glasses	P/N: 5J.J7K25.011
	Quick Start Guide	Carry Bag	P/N: 5J.J3T09.001
	Warranty Card (by region)	Wireless FHD Kit (BQE)	P/N: 5J.J9H28.E01
	Lens cover	Wireless FHD Kit (BQA)	P/N: 5J.J9H28.A01
		Wireless FHD Kit (BQC)	P/N: 5J.J9H28.C01

\*Lamp life results will vary depending on environmental conditions and usage. Actual product's features and specifications are subject to change without notice.

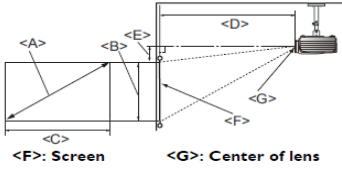
# W1070+ Digital Projector

## Distance Chart

### Floor Installation



### Ceiling Installation



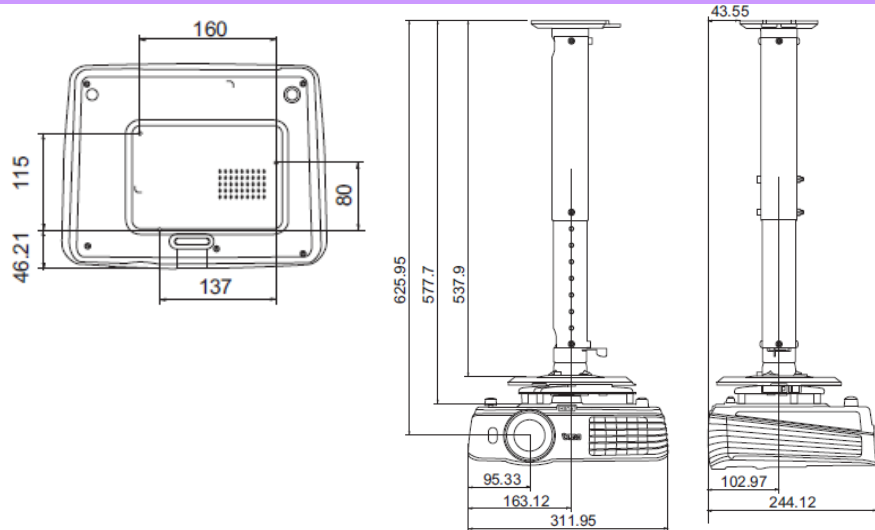
■ The screen aspect ratio is 16:9 and the projected picture is 16:9

Diagonal <A> [Inch (mm)]	Screen dimensions		Projection distance <D> [mm]			Lowest/Highest lens position <E> [mm]
	Height <B> [mm]	Width <C> [mm]	Min distance (with max zoom)	Average	Max distance (with min zoom)	
40 (1016)	498	886	1013	1165	1316	25
50 (1270)	623	1107	1266	1456	1646	31
60 (1524)	747	1328	1519	1747	1975	37
70 (1778)	872	1550	1772	2038	2304	44
80 (2032)	996	1771	2025	2329	2633	50
90 (2286)	1121	1992	2278	2620	2962	56
100 (2540)	1245	2214	2532	2911	3291	62
110 (2794)	1370	2435	2785	3203	3620	68
120 (3048)	1494	2657	3038	3494	3949	75
130 (3302)	1619	2878	3291	3785	4278	81
140 (3556)	1743	3099	3544	4076	4608	87
150 (3810)	1868	3321	3797	4367	4937	93
160 (4064)	1992	3542	4051	4658	5266	100
170 (4318)	2117	3763	4304	4949	5595	106
180 (4572)	2241	3985	4557	5241	5924	112
190 (4826)	2366	4206	4810	5532	6253	118
200 (5080)	2491	4428	5063	5823	6582	125
235 (5969)	2926	5202	5949	6842	7734	146

## Wall mount/Ceiling mount Chart

☉ Ceiling mount screws:  
M4 (Max L = 25 mm;  
Min L = 20 mm)

Unit: mm



## Dimension

