



MW712 Digital Projector

Highlights

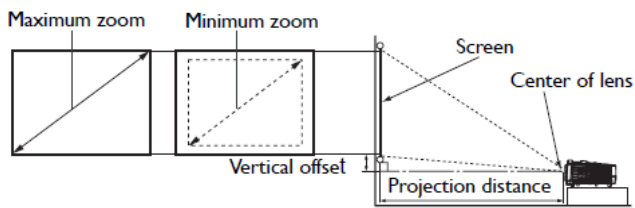
- Designed for Education
- Easy Installation & Control
- Easy Maintenance



| | | | |
|---|--|---|------------------|
| Projection System | DLP | | |
| Native Resolution | WXGA(1280 x 800) | | |
| Brightness | 3200AL | | |
| Contrast Ratio | 10000:1 | | |
| Display Color | 1.07 Billion Colors | | |
| Lens | F=2.55-3.06,f=21-25.6mm | | |
| Aspect Ratio | Native 16:10 (5 aspect ratio selectable) | | |
| Throw Ratio | 1.41-1.69 (62.25"@2m) | | |
| Image Size (Diagonal) | 30"-300" | | |
| Zoom Ratio | 1.2:1 | | |
| Lamp Type | 230W | | |
| Lamp(Normal/Economic/SmartEco Mode)* | 3500/5000/6500 hours | | |
| Keystone Adjustment | 1D, Vertical ± 40 degrees | | |
| Projection Offset | 120% ±5% | | |
| Resolution Support | VGA(640 x 480) to UXGA(1600 x 1200) | | |
| Horizontal Frequency | 31K-102KHz | | |
| Vertical Scan Rate | 23-120Hz | | |
| Compatibility | HDTV Compatibility | 480i, 480p, 576i, 576p, 720p, 1080i, 1080p | |
| | Video Compatibility | NTSC, PAL, SECAM | |
| | 3D Compatibility | PC: 120Hz Frame Sequential 3D for resolutions up to WXGA, PC: 60Hz Top-bottom 3D for resolutions up to SXGA+ Video: 60Hz Frame Sequential 3D for resolutions up to 480i | |
| Interface | Computer in (D-sub 15pin) | x 2(Share with component) | |
| | Monitor out (D-sub 15pin) | x 1 | |
| | Composite Video in (RCA) | x 1 | |
| | S-Video in (Mini DIN 4pin) | x 1 | |
| | HDMI | x1 | |
| | Audio in (Mini Jack) | x 2 | |
| | Audio L/R in (RCA) | x1 | |
| | Audio out (Mini Jack) | x 1 | |
| | Speaker | 10W x 1 | |
| | LAN (RJ45) | x 1 | |
| | USB (Type B) | x1 (Download & page/down) | |
| | RS232 (DB-9pin) | x 1 | |
| | IR Receiver | x2 (Front+Top) | |
| Dimensions | Dimensions(W x H x D) | 302x124x232.7 mm | |
| | Weight | 2.45kg (5.39lbs) | |
| Power | Power Supply | AC100 to 240 V, 50 to 60 Hz | |
| | Power Consumption | 285W(typical), Standby<1W | |
| Audible Noise | 29/27 dBA (Normal/Economic mode) | | |
| On-Screen Display Languages | Arabic/Bulgarian/ Croatian/ Czech/ Danish/ Dutch/ English/ Finnish/ French/ German/ Greek/ Hindi/ Hungarian/ Italian/ Indonesian/ Japanese/ Korean/ Norwegian/ Polish/ Portuguese/ Romanian/ Russian/ Simplified Chinese/Spanish/ Swedish/ Turkish/ Thai/ Traditional Chinese (28 Languages) | | |
| Picture Modes | Dynamic/Presentation/sRGB/Cinema/User 1/User 2 | | |
| Accessories | Standard | Optional | |
| | Remote Control w/ Battery | Presentation Plus | P/N: 65J9306.002 |
| | Power Cord (by region) | Spare Lamp Kit | P/N: 5J4R05.001 |
| | User Manual CD | Ceiling Mount | P/N: 5J2K01.001 |
| | Quick Start Guide | 3D Glasses | P/N: 5J0T14.011 |
| | Warranty Card (by region) | Carry bag | P/N: 5J4R09.001 |
| | VGA(D-sub 15pin) Cable | | |

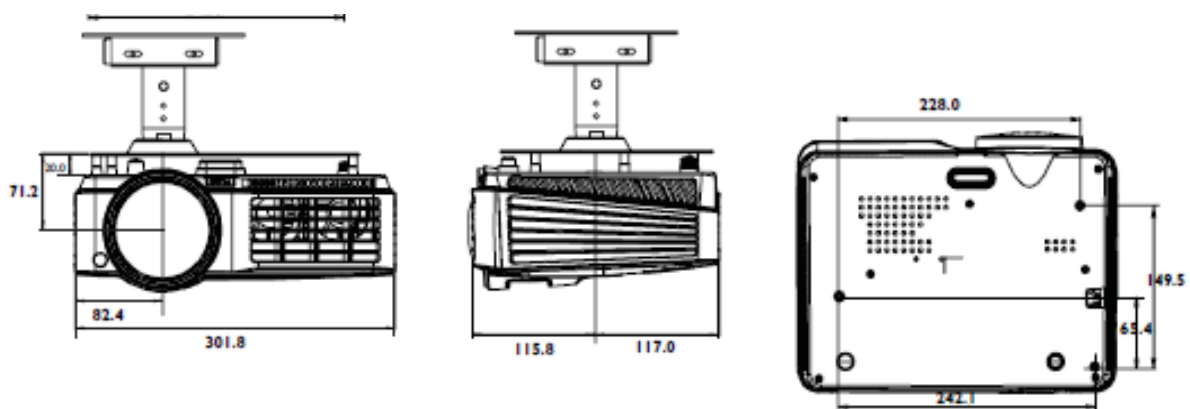
*Lamp life results will vary depending on environmental conditions and usage. Actual product's features and specifications are subject to change without notice.

Distance Chart



| Screen size | | | | Distance from screen (mm) | | | Vertical offset (mm) |
|-------------|------|------|------|---------------------------|---------|-------------|----------------------|
| Diagonal | | W | H | Min length | Average | Max length | |
| Inch | mm | (mm) | (mm) | (max. zoom) | | (min. zoom) | |
| 30 | 762 | 646 | 403 | 1018 | 1127 | 1235 | 61 |
| 40 | 1016 | 861 | 538 | 1273 | 1420 | 1567 | 83 |
| 50 | 1270 | 1077 | 673 | 1564 | 1731 | 1897 | 105 |
| 60 | 1524 | 1292 | 807 | 1871 | 2047 | 2223 | 126 |
| 80 | 2032 | 1723 | 1077 | 2435 | 2658 | 2881 | 164 |
| 100 | 2540 | 2153 | 1346 | 3014 | 3276 | 3538 | 205 |
| 120 | 3048 | 2584 | 1615 | 3594 | 3894 | 4194 | 251 |
| 150 | 3810 | 3230 | 2019 | 4465 | 4823 | 5180 | 313 |
| 200 | 5080 | 4307 | 2692 | 5916 | 6369 | 6822 | 416 |
| 220 | 5588 | 4738 | 2961 | 6496 | 6987 | 7478 | 457 |
| 250 | 6350 | 5384 | 3365 | 7367 | 7916 | 8464 | 521 |
| 300 | 7620 | 6461 | 4038 | 8818 | 9462 | 10106 | 624 |

Wall mount/Ceiling mount Chart



Dimension

