



Model Name MH684 Digital Projector

Distance Chart

Unique selling point

- * 3500ANSI Lumen High Brightness
- * 13000:1 High Contrast Ratio
- * Blu-ray Full HD 3D support
- * MHL Mirror the Screen of Smart Device
- * Wireless Presentation via Your Smart Device by QCast^(optional)

Trade Mark



Projection System	DLP
Native Resolution	1080p (1920x 1080)
Brightness	3500 AL
Contrast Ratio	13000:1
Display Color	1.07 Billion Colors
Lens	F=2.59~2.91, f=16.87~21.87mm
Aspect Ratio	Native 16:9 (5 aspect ratio selectable)
Throw Ratio	1.15-1.5(Wide 78.5" ±3% @ 2m)
Image Size (Diagonal)	60"~180"
Zoom Ratio	1.3:1
Lamp Type	240W
Lamp(Normal/Economic/SmartEco Mode)*	3000/4500/6500 hours
Keystone Adjustment	2D, Horizontal +/- 30 degrees, Vertical +/- 30 degrees
Projection Offset	120%±5%
Resolution Support	VGA(640 x 480) to WUXGA(1920 x 1200)*RB-Reduced blanking
Horizontal Frequency	15~102KHz
Vertical Scan Rate	24~120Hz
Compatibility	HDTV Compatibility 480i, 480p, 576i, 576p, 720p, 1080i, 1080p Video Compatibility NTSC, PAL, SECAM 3D Compatibility Frame Sequential: Up to 60Hz 720p (Please refer to User Manual for detailed support timing.) Frame Packing: Up to 24 Hz 1080p Side by Side: Up to 24Hz 1080p Top Bottom: Up to 60Hz 1080p

Interface	Computer in (D-sub 15pin)	x1
	Monitor out (D-sub 15pin)	x1
	Composite Video in (RCA)	x1
	S-Video in (Mini DIN 4pin)	x1
	HDMI	x2 (HDMI with MHL2.0 x1, HDMI x 1)
	MHL	x1 (HDMI with MHL2.0)
	Audio in (RCA)	x1
	Audio in (Mini Jack)	x1
	Audio out (Mini Jack)	x1
	Speaker	10W x 1
	USB (Type mini B)	x1 (Download)
	USB (Type A)	x1 (Charger)
	RS232 (DB-9pin)	x1
	IR Receiver	x2 (Front+Rear)

Dimensions	Dimensions(W x H x D)	314.2x116x216.3mm (include feet)
	Weight	3.3 kg(7.28 lbs)

Power	Power Supply	AC100 to 240 V, 50 to 60 Hz
	Power Consumption (typ.)	270 W(Normal), 220 W(Eco), Standby <0.5W
	Power Management Function	Automatic power off after 20 minutes without a display source.

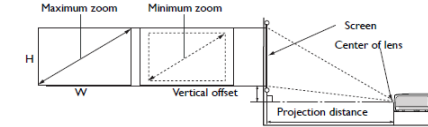
Audible Noise (typ.)	35/30 dBA (Normal/Economic mode)
-----------------------------	----------------------------------

On-Screen Display Languages	Arabic/Bulgarian/ Croatian/ Czech/ Danish/ Dutch/ English/ Finnish/ French/ German/ Greek/ Hindi/ Hungarian/ Italian/ Indonesian/ Japanese/ Korean/ Norwegian/ Polish/ Portuguese/Romanian/ Russian/ Simplified Chinese/Spanish/ Swedish/ Turkish/ Thai/ Traditional Chinese (28 Languages)
------------------------------------	---

Picture Modes	**Bright / Presentation / sRGB / Cinema / (3D) / User 1 / User 2
----------------------	--

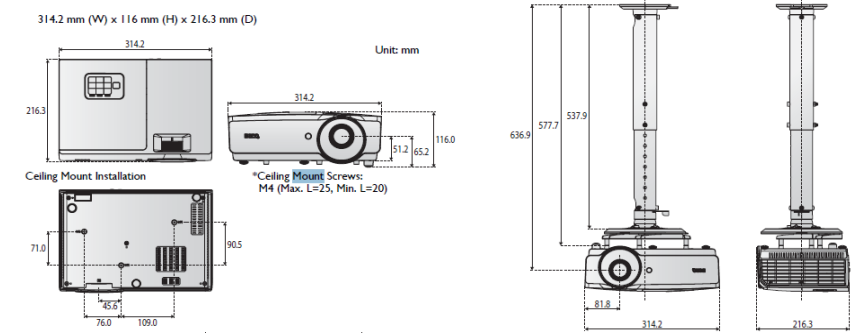
Accessories	Standard Lens Cover Remote Control w/ Battery Power Cord (by region) User Manual CD Quick Start Guide Warranty Card (by region) VGA(D-sub 15pin) Cable	Optional Spare Lamp Kit Ceiling Mount 3D Glasses ***Video Streaming Dongle - Qcast Carry bag
--------------------	--	--

Screen size				Distance from screen [mm]			Offset [mm]
Diagonal [inch]	Width [mm]	Height [mm]	Min Distance	Average	Max Distance	A [mm]	Wide mode
50	1270	1107	623	1273	1461	1649	93
60	1524	1328	747	1528	1753	1979	112
70	1778	1550	872	1782	2046	2309	131
80	2032	1771	996	2037	2338	2639	149
90	2286	1992	1121	2291	2630	2969	168
100	2540	2214	1245	2546	2922	3299	187
110	2794	2435	1370	2800	3214	3628	205
120	3048	2657	1494	3055	3507	3957	224
130	3302	2878	1619	3310	3799	4288	243
140	3556	3099	1743	3564	4091	4618	262
150	3810	3321	1868	3819	4383	4948	280
160	4064	3542	1992	4073	4676	5278	299
170	4318	3763	2117	4328	4968	5608	318
180	4572	3985	2241	4583	5260	5937	336
190	4826	4206	2366	4837	5552	6267	355
200	5080	4428	2491	5092	5844	6597	374
250	6350	5535	3113	6365	7306	8246	467
300	7620	6641	3736	7638	8767	9896	560



The screen aspect ratio is 16:9 and the projected picture is 16:9.

Wall mount/Ceiling mount Chart



Dimension



*Lamp life results will vary depending on environmental conditions and usage. Actual product's features and specifications are subject to change without notice.

** Default mode is Presentation. When 3D is on, Picture Modes only shows 3D. When 3D is off, it is not shown in Picture Modes.

*** E sku is hard bundle with Qcast