



Model Name **W1400 Home Entertainment Projector**

Unique selling point **Trade Mark**

- * Perfect for home entertainment
- * Cable free
 - Built-in two 10W Big Speakers w/ SRS
- * Easy Setup
 - Vertical Lens Shift (110%-130%±5%)
 - Big Zoom (1.6X)
 - Short Throw (1.07-1.71 : 84"@2M)

- * Brilliant Image Performance
 - Blu-ray Full HD 3D support
 - 2D to 3D conversion
 - Frame interpolation (MEMC)
 - Enhanced Contrast (Darkchip3)
 - Brilliant Color (REC 709)
 - Professional picture adjustment (ISFccc)
- * Low TCO (SmartEco)



Projection System	Single 0.65" DC3 DLP DMD	
Native Resolution	1080p (1920 x 1080)	
Brightness	2200 ANSI lumens	
Contrast Ratio	10000:1	
Display Color	1.07 Billion Colors	
Lens	F=2.45-3.07 , f=15.78-25.12mm	
Aspect Ratio	Native 16:9 (5 aspect ratio selectable)	
Throw Ratio	1.07-1.71 (84"@2M)	
Offset	110%~130%	
Image Size (Diagonal)	40"-300"	
Zoom Ratio	1.6:1	
Lamp Type	240W	
Lamp(Normal/Economic/SmartEco Mode)*	3500/5000/6000 hours	
Keystone Adjustment	1D, Vertical ± 10 degrees	
Lens Shift	Vertical 110%~130%±5%	
Resolution Support	VGA(640x480) to WUXGA_RB(1920x1200) *RB=Reduced blanking	
Horizontal Frequency	15K-102KHz	
Vertical Scan Rate	23-120Hz	
Color Wheel Segment	6-Segment (RGBRGB)	
Color Wheel Speed	6X (50Hz)	
Compatibility	HDTV Compatibility	480i, 480p, 576i, 567p, 720p, 1080i, 1080p
	Video Compatibility	NTSC, PAL, SECAM, SDTV(480i/576i), EDTV (480p/576p, HDTV (720p, 1080i/p 60Hz)
	3D Compatibility	Frame Sequential: Up to 480i
	(Please refer to User's Manual for detailed support timing)	Frame Packing: Up to 24 Hz 1080p Side by Side: Up to 60Hz 1080i Top Bottom: Up to 24Hz 1080p

Interface	Computer in (D-sub 15pin)	x 1
	HDMI (v1.4a)	x 2
	Composite Video in (RCA)	x 1
	S-Video in (Mini DIN 4pin)	x 1
	Component Video in	x 1
	Audio in (Mini Jack)	x 1
	Audio L/R in (RCA)	x 1
	Audio out (Mini Jack)	x 1
	DC 12V Trigger (3.5mm Jack)	x 1
	Audio L/R in (RCA)	x 1
	Speaker	10W x 2
	RS232 (DB-9pin)	x 1
	Power	Power Supply
	Power Consumption	397W(typical), Standby<0.5W
Dimensions	Dimensions(W x H x D)	339 x 284.8 x 120.2 mm
	Weight	3.9KG(TBD)
Audible Noise	33/28 dBA (Normal/Economic mode)	

On-Screen Display Languages Arabic/Bulgarian/ Croatian/ Czech/ Danish/ Dutch/ English/ Finnish/ French/ German/ Greek/ Hindi/ Hungarian/ Italian/ Indonesian/ Japanese/ Korean/ Norwegian/ Polish/ Portuguese/ Romanian/ Russian/ Simplified Chinese/Spanish/ Swedish/ Turkish/ Thai/ Traditional Chinese (28 Languages)

Picture Modes Cinema Mode/Dynamic Mode/Standard/User 1/User 2/User 3/3D

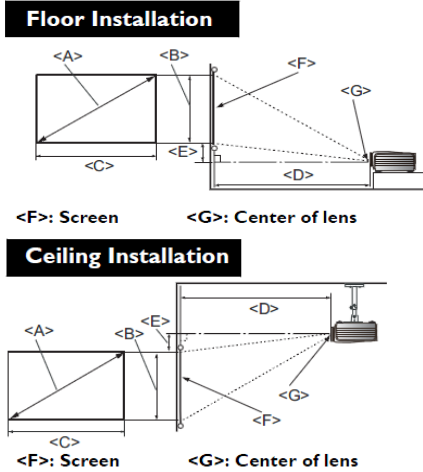
Accessories	Standard	Optional
	Remote Control w/ Battery	Spare Lamp Kit P/N: 5JJ9E05.001
	Carry bag	Ceiling Mounting Kit P/N: 5JJ4N10.001
	Power Cord (by region)	
	User Manual CD (24L)	
	Quick Start Guide (28L)	
	Warranty Card (by region)	
	Lens cover	
	VGA (D-sub 15pin) Cable	
	3D Glasses	

*Lamp life results will vary depending on environmental conditions and usage. Actual product's features and specifications are subject to change without notice.

W1400 Home Entertainment Projector

Distance Chart

Installation for a 16:9 ratio screen



■ The screen aspect ratio is 16:9 and the projected picture is 16:9

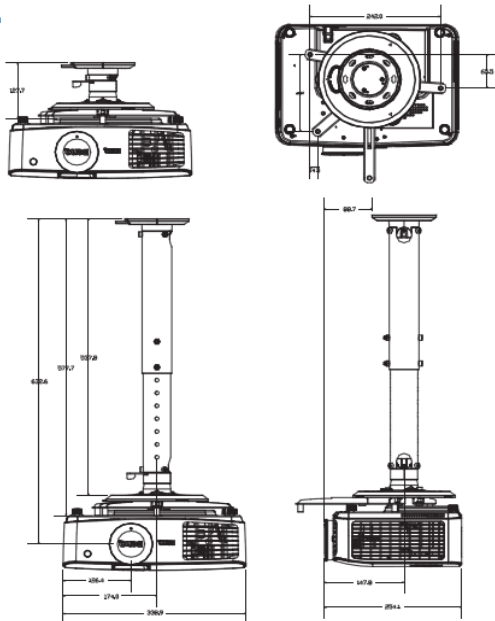
Diagonal <A> [inch (mm)]	Height [mm]	Width <C> [mm]	Projection distance <D> [mm]			Lowest/Highest lens position <E> [mm]
			Min distance (with max zoom)	Average	Max distance (with min zoom)	
42 (1067)	523	930	1000	1300	1600	26
50 (1270)	623	1107	1190	1548	1905	31
60 (1524)	747	1328	1429	1857	2286	37
70 (1778)	872	1550	1667	2167	2667	44
80 (2032)	996	1771	1905	2476	3048	50
84 (2134)	1046	1860	2000	2600	3200	52
90 (2286)	1121	1992	2143	2786	3429	56
100 (2540)	1245	2214	2381	3095	3810	62
110 (2794)	1370	2435	2619	3405	4190	68
120 (3048)	1494	2657	2857	3714	4571	75
130 (3302)	1619	2878	3095	4024	4952	81
140 (3556)	1743	3099	3333	4333	5333	87
150 (3810)	1868	3321	3571	4643	5714	93
160 (4064)	1992	3542	3810	4952	6095	100
170 (4318)	2117	3763	4048	5262	6476	106
180 (4572)	2241	3985	4286	5571	6857	112
190 (4826)	2366	4206	4524	5881	7238	118
200 (5080)	2491	4428	4762	6190	7619	125
250 (6350)	3113	5535	5952	7738	9524	156

The above numbers are approximate and may be slightly different from the actual measurements. Only the recommended screen sizes are listed. If your screen size is not in the table above, please contact your dealer for assistance.

Wall mount/Ceiling mount Chart

⊙ Ceiling Mount screw: M4
(Max L = 8 mm)

Unit: mm



Dimension

