



Model Name **TW523P Digital Projector**

Unique selling point **Trade Mark**

- * SmartEco Power Saving technology
- * Up to 10,000 hours Long lamp life
- * <0.5W standby mode
- * Blu-ray Full HD 3D support



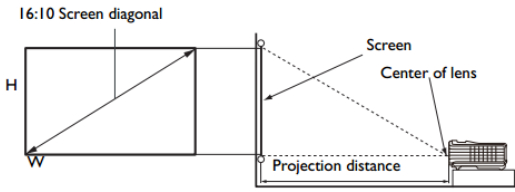
Projection System	DLP	
Native Resolution	WXGA (1280 x 800)	
Brightness	3000AL	
Contrast Ratio	13000:1	
Display Color	1.07 Billion Colors	
Lens	F=2.56-2.8, f=21-23.1 mm	
Aspect Ratio	Native 16:10 (5 aspect ratio selectable)	
Throw Ratio	1.5-1.65 (62"@2m)	
Image Size (Diagonal)	42" - 300"	
Zoom Ratio	1.1:1	
Lamp Type	190W	
Lamp Mode (Normal/Eco/SmartEco/LampSave)*	4500/6000/6500/10000 hours	
Keystone Adjustment	1D, Vertical +/- 40 degrees	
Projection Offset	100% ±5%	
Resolution Support	VGA(640 x 480) to UXGA(1600 x 1200)	
Horizontal Frequency	15~102KHz	
Vertical Scan Rate	23~120Hz	
Compatibility	HDTV Compatibility	480i, 480p, 576i, 576p, 720p, 1080i, 1080p
	Video Compatibility	NTSC, PAL, SECAM
	3D Compatibility	Frame Sequential: Up to 720p
	(Please refer to User's Manual for detailed support timing.)	Frame Packing: Up to 1080p
		Side by Side: Up to 1080i/p
		Top Bottom: Up to 1080p
Interface	Computer in (D-sub 15pin)	x 2 (Share with component)
	Monitor out (D-sub 15pin)	x 1
	Composite Video in (RCA)	x 1
	S-Video in (Mini DIN 4pin)	x 1
	HDMI	x 1
	Audio in (Mini Jack)	x 1
	Audio out (Mini Jack)	x 1
	Speaker	2W x 1
	USB (Type mini B)	x 1
	RS232 (DB-9pin)	x 1
	IR Receiver	x1 (Front)
Dimensions	Dimensions(W x H x D)	283 x 95 x 222 mm (with feet) 283 x 88.7 x 222 mm (without feet)
	Weight	1.9kg
Power	Power Supply	AC100 to 240 V, 50 to 60 Hz
	Power Consumption	Normal 270W, Eco 220W, Standby<0.5W
Audible Noise	33/29 dBA (Normal/Economic mode)	
On-Screen Display Languages	Arabic/Bulgarian/ Croatian/ Czech/ Danish/ Dutch/ English/ Finnish/ French/ German/ Greek/ Hindi/ Hungarian/ Italian/ Indonesian/ Japanese/ Korean/ Norwegian/ Polish/ Portuguese/ Romanian/ Russian/ Simplified Chinese/Spanish/ Swedish/ Turkish/ Thai/ Traditional Chinese (28 Languages)	
Picture Modes	Dynamic/Presentation/sRGB/Cinema/(3D)/User 1/User 2	
Accessories	Standard	Optional
	Remote Control w/ Battery	Spare Lamp Kit
	Power Cord (by region)	Ceiling Mount
	UM download instruction and Regulatory statement	3D Glasses
	Quick Start Guide	Carry bag
	Warranty Card (by region)	
	VGA(D-sub 15pin) Cable	

*Lamp life results will vary depending on environmental conditions and usage. Actual product's features and specifications are subject to change without notice.

TW523P Digital Projector

Distance Chart

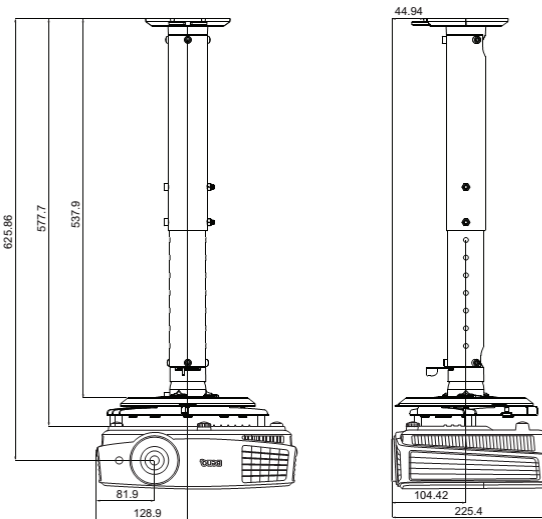
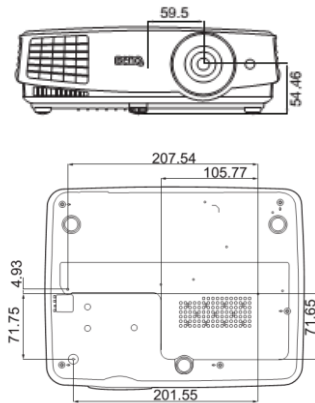
The screen aspect ratio is 16:10 and the projected picture is in a 16:10 aspect ratio



Screen size				Projection distance (mm)		
Diagonal		W	H	Min distance	Average	Max distance
Inch	mm	(mm)	(mm)	(max. zoom)		(min. zoom)
40	1016	862	538	1290	1355	1419
50	1270	1077	673	1613	1694	1774
60	1524	1292	808	1935	2032	2129
70	1778	1508	942	2258	2371	2484
80	2032	1723	1077	2581	2710	2839
90	2286	1939	1212	2903	3048	3194
100	2540	2154	1346	3226	3387	3548
110	2794	2369	1481	3548	3726	3903
120	3048	2585	1615	3871	4065	4258
130	3302	2800	1750	4194	4403	4613
140	3556	3015	1885	4516	4742	4968
150	3810	3231	2019	4839	5081	5323
160	4064	3446	2154	5161	5419	5677
170	4318	3662	2289	5484	5758	6032
180	4572	3877	2423	5806	6097	6387
190	4826	4092	2558	6129	6435	6742
200	5080	4308	2692	6452	6774	7097
250	6350	5385	3365	8065	8468	8871
300	7620	6462	4039	9677	10161	10645

Wall mount/Ceiling mount Chart

Ceiling Mount screw: M4
(Max L = 25 mm; Min L = 20 mm)



Unit: mm

Dimension

