



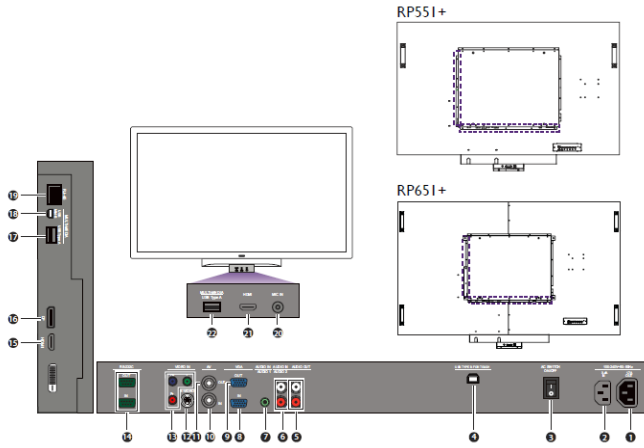
Model Name **RP551+ IFP**
Unique selling point

- * 50,000 hours light life for long use
- * Front IO for easy access
- * Ambient light sensor for eye care & energy saving
- * USB plug and play function
- * Anti-lare glass/low blue light for eye care
- * Multiple platform of touch driver free (plug and play)

Panel	Screen Diagonal	55"	
	Backlight	LED	
	Resolution	FHD 1920 x 1080 (pixels)	
	Aspect Ratio	16 : 9	
	Brightness	350nits	
	Contrast Ratio	1400:1	
	Viewing Angle	178 degree (H) / 178 degree (V)	
	Color gamut (x% NTSC)	68%	
	Frame Rate	60Hz	
	Response Time	8ms	
	Panel bit	8-bit	
	Light life	50000hrs (min.)	
	Orientation	Landscape	
Touch solution	Touch tech.	infrared	
	Number of touches	Multi-touch up to 6 touches	
	Resolution	32767 x 32767	
Cover glass	Thickness	Tempered, 5 mm	
	Hardness	7H	
	AG coating	80%	
Speaker	Built-in speaker	12W x 2	
Interface	Input	Power (AC) Inlet	x 1
		Audio line-in	x 1
		Composite video (BNC)	x 1
		Composite audio (RCA)	x 1
		Component video (RCA)	x 1
		D-sub	x 1
		Type A HDMI	x 2
		Type A USB	x 1
		Mini B USB	x 1
		RJ45	x 1
		RS232	x 1
		Microphone-in (1/4")	x 1
		S-video	x 1
	DisplayPort	x 1	
	Output	Power (AC) outlet	x 1
		Composite audio (RCA)	x 1
		RS232	x 1
		D-sub	x 1
	Others	AC power switch	x 1
IR receiver		x 1	
Mechanical	Dimensions(W x H x D)	1271.4 x 833.13 x 210mm	
	Weight	45kg	
Power	Power supply	AC100 to 240V, 50 to 60 Hz	
	Power consumption	<170W, 140W (Typ.)	
OSD	On-Screen Display Languages	EN/FR/ES/PT/SC/TC/DE/NL/PO/PY/CZ/DA/SW/IT/RO/FI/NO/GR/TU/AR/JA (21L)	
Accessories	Standard	Remote Control w/ Battery	x 1
		Power Cord (by region)	x 1
		Touch pen	x 2
		Quick Start Guide	x 1
		audio cable connection guide	x 1
		USB cable (male to male)	x 1
		VGA(D-sub 15pin) Cable	x 1
		DisplayNote card	x 1
	Audio cable (1 to 3)	x 1	
	Optional	Wallmount	
		Stand	
USB wi-fi dongle			

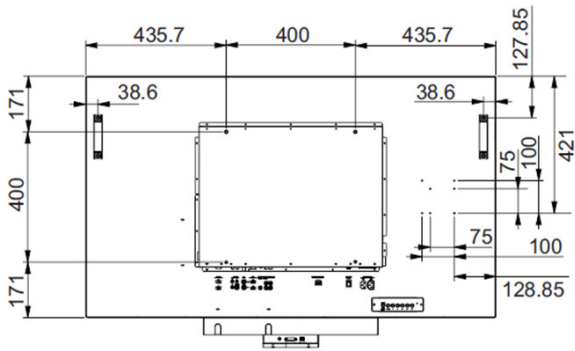
RP551 + IFP

Input/output terminals



No.	Name	Description
1	AC OUT (1.7A)	Relays the AC power from the AC IN jack to another display.
2	AC IN (3.4A)	Connects to a power outlet via the supplied power cord.
3	AC SWITCH ON/OFF	Turns on or off the main power.
4	USB TYPE B FOR TOUCH	Connects the USB cable from the display to a computer to use the touch module.
5	AUDIO OUT (R/L)	Outputs audio signals to an external device.
6	AUDIO IN (AUDIO2)	Receives audio signals from an external device (such as a VCR or DVD player).
7	AUDIO IN (AUDIO1)	Receives audio signals from an external device (such as a computer).
8	VGA IN	Receives analog RGB signals from an external device (such as a computer).
9	VGA OUT	Outputs analog RGB signals from the VGA IN input to another display.
10	AV IN	Receives composite video signals from an external device (such as a VCR or DVD player).
11	AV OUT	Outputs composite video signals from the AV IN input to another display.
12	VIDEO IN (S-VIDEO)	Receives S-Video signals from an external device (such as a VCR or DVD player).
13	VIDEO IN (YPbPr)	Receives component video (YPbPr) signals from an external device (such as a DVD player, HDTV device or Laser disc player).
14	RS232C IN/OUT	For external control and multi-display operation. • RS232C IN: receives control signals from a computer or another display. • RS232C OUT: outputs control signals from the RS232C IN input to another display.
15	HDMI	Receives HDMI signals from an external device (such as a Blu-ray disc player).
16	DP (DisplayPort)	Connects to a DisplayPort compatible device.
17	USB Type A	Connects to a USB flash drive or WiFi dongle.
18	USB Mini-B	Connects to a computer for USB display.
19	RJ-45	Connects to the RJ-45 port on your Ethernet router.
20	MIC IN	Connects to a microphone.

Wallmount



Unit: mm

Dimension

Dimensions

• RP551+

