



Model Name **MW853UST+ Digital Projector**

Unique selling point

- * Vertical 8% lens shift
- * Optional PointWrite interactive capability
- * SmartEco Power Saving technology
- * Up to 7000hours lamp life
- * Wall mount bundle

Trade Mark



Projection System	DLP	
Native Resolution	WXGA(1280*800)	
Brightness	3200AL	
Contrast Ratio	10,000:1	
Display Color	1.07 Billion Colors	
Lens	F2.5,f=5.1mm	
Aspect Ratio	Native 16:10 (5 aspect ratio selectable)	
Throw Ratio	0.36	
Clear Image Size/Max Image size	80"~100/300"	
Zoom Ratio	Fix	
Lamp Type	230W	
Lamp(Normal/Economic/SmartEco Mode)*	4000/5000/7000 hours	
Keystone Adjustment	1D, Vertical +/- 40 degrees	
lens shift range	Vertical 8%	
Projection Offset	136%~144% (±5%)	
Resolution Support	VGA(640 x 480) to UXGA(1600 x 1200)	
Horizontal Frequency	15~102KHz	
Vertical Scan Rate	23~120Hz	
Compatibility	HDTV Compatibility	480i, 480p, 576i, 576p, 720p, 1080i, 1080p
	Video Compatibility	NTSC, PAL, SECAM
Interface	Computer in (D-sub 15pin)	x 2(Shared with component)
	Monitor out (D-sub 15pin)	x 1
	Composite Video in (RCA)	x 1
	S-Video in (Mini DIN 4pin)	x 1
	HDMI	x 2
	Audio in (Mini Jack)	x 1
	Audio out (Mini Jack)	x 1
	Audio L/R	*1
	Speaker	10W x 2
	USB (Type mini B)	x 1 (PointWrite interactive module)
	USB (Type B)	x 1 (FW download)
	USB(Type A)	x 1 (IA Power for PT01 Touch module)
	RJ45	x 1 (LAN control)
	RS232 (DB-9pin)	x 1
	IR Receiver	x 1 (Front)
Dimensions	Dimensions(W x H x D)	373.3*287.5*130.2mm (w/o Mirror) 373.3*287.5*201mm(w Mirror)
	Weight	5KG(w/o wall mount)
Power	Power Supply	AC100 to 240 V, 50 to 60 Hz
	Power Consumption	typical 290W, stanby power <0.5W
Audible Noise	33/29 dBA (Normal/Economic mode)	
On-Screen Display Languages	Arabic/Bulgarian/ Croatian/ Czech/ Danish/ Dutch/ English/ Finnish/ French/ German/ Greek/ Hindi/ Hungarian/ Italian/ Indonesian/ Japanese/ Korean/ Norwegian/ Polish/ Portuguese/ Romanian/ Russian/ Simplified Chinese/Spanish/ Swedish/ Turkish/ Thai/ Traditional Chinese (28 Languages)	

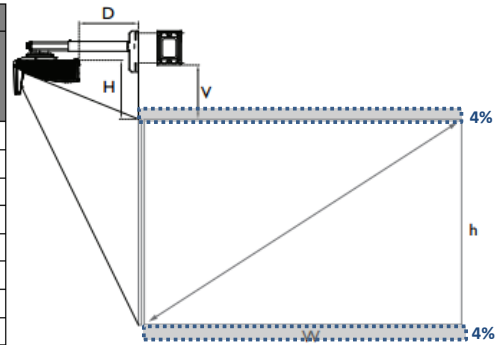
Accessories	Standard	Optional
	Remote Control w/ Battery RCE012	Spare Lamp Kit 5J.J8M05.011
	Power Cord (by region) 2.9M	Wall Mount WM04G4
	User Manual CD *1	3D Glasses DGD24
	Quick Start Guide *1	Document Camera S30
	Warranty Card (by region) *1	PointWrite kit PW01U
	VGA(D-sub 15pin) Cable *1	PointWrite Touch module PT01
	Wall mount kit (installation guide) *1	
	Lens shift hex key *1	

*Lamp life results will vary depending on environmental conditions and usage. Actual product's features and specifications are subject to change without notice.

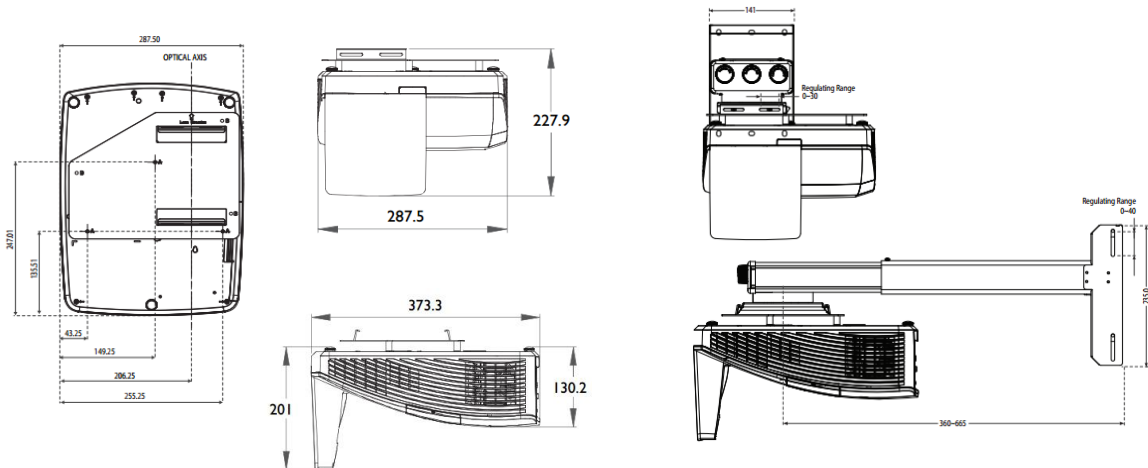
MW853UST+ Digital Projector

Distance Chart

WXGA											
Screen size (Diagonal)		Screen width (W)		Screen Height (h)		Projection distance (D)		Offset (H)		Scale parameter	Distance between Wall plate & projection screen (V)
inch	mm	inch	mm	inch	mm	inch	mm	inch	mm	mm	
80	2032	67	1723	42	1077	11.11	282.3	11.02	280	495	254.7
85	2159	71	1831	45	1144	12.73	323.3	11.59	294.3	535	269
87	2210	73	1874	46	1171	13.40	340.3	11.82	300.2	555	274.9
90	2286	76	1939	47	1212	14.38	365.3	12.16	308.9	580	283.6
92	2337	77	1982	48	1239	15.01	381.3	12.38	314.4	600	289.1
95	2413	80	2046	50	1279	15.98	405.8	12.72	323	625	297.7
97	2464	81	2089	51	1306	16.65	422.8	12.95	328.9	645	303.6
100	2540	85	2154	53	1346	17.55	445.8	13.26	336.9	665	311.6



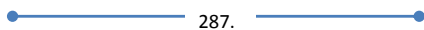
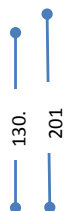
Wall mount/Ceiling mount Chart



Dimension



TBD



Unit: mm





BenQ Scalable Interactive System

BenQ PointWrite interactive projectors turn any surface into an interactive whiteboard by utilizing an innovative infrared technology to detect transmitter light emitted from the PointWrite Pen or touch module that enable the camera to detect the finger or object movements. This allows teachers to invite students up to the board to make notes, answer questions, or collaborate on digital paintings, sparking creativity, imagination and lots of fun. Easy to set up and flexible to use, these education projectors make a cost-efficient and affordable option for every classroom.

Key features

- Compatible with series BenQ short throw and ultra-short throw projector
 - Supports up to 4 pens/fingers
 - Dual screen touch for ultra wide working space.
 - Effortless setup with only 1 second auto calibration*
 - An ultra-fast 0.016-second response time for a smooth writing experience
- *Calibration speed may vary depending on computer system.



PW01U Kit

Scalable dual screen and finger touch



PT01 touch module

