



## Model Name **MW821ST Digital Projector**

### Unique selling point

- \* Designed for Education
- \* Easy Installation & Maintenance
- \* Short Throw
- \* Long Lamp Life with SmartECO
- \* High Contrast Ratio
- \* LAN Control and LAN Display
- \* PointDraw™ 3.0 Ready

### Trademark

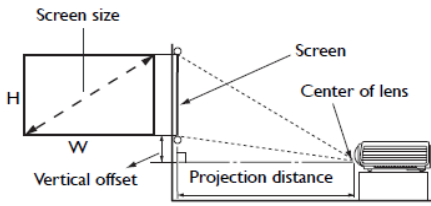


<b>Projection System</b>	DLP	
<b>Native Resolution</b>	WXGA (1280x800)	
<b>Brightness</b>	3000AL	
<b>Contrast Ratio</b>	13000:1	
<b>Display Color</b>	1.07 Billion Colors	
<b>Lens</b>	F=2.6, f=6.9mm	
<b>Aspect Ratio</b>	Native 16:10 (5 aspect ratio selectable)	
<b>Throw Ratio</b>	0.49 (87" @ 0.91m)	
<b>Image Size (Diagonal)</b>	50~300"	
<b>Zoom Ratio</b>	Fixed	
<b>Lamp Type</b>	210W	
<b>Lamp(Normal/Economic/SmartEco Mode)*</b>	4000/5000/6000 hours	
<b>Keystone Adjustment</b>	1D, Vertical +/- 30 degrees	
<b>Projection Offset</b>	110% ±5%	
<b>Resolution Support</b>	VGA(640 x 480) to UXGA(1600 x 1200)	
<b>Horizontal Frequency</b>	31K~102KHz	
<b>Vertical Scan Rate</b>	23~120Hz	
<b>Compatibility</b>	HDTV Compatibility Video Compatibility  3D Compatibility	480i, 480p, 576i, 576p, 720p, 1080i, 1080p NTSC, PAL, SECAM PC: 120Hz Frame Sequential 3D for resolutions up to WXGA, PC: 60Hz Top-bottom 3D for resolutions up to SXGA+ Video: 60Hz Frame Sequential 3D for resolutions up to 480i
<b>Interface</b>	Computer in (D-sub 15pin) Monitor out (D-sub 15pin) Composite Video in (RCA) S-Video in (Mini DIN 4pin) Audio in (Mini Jack)  Audio L/R in (RCA) Audio out (Mini Jack) Speaker LAN (RJ45) USB (Type B mini) RS232 (DB-9pin) IR Receiver	x 2 (Share with component) x 1 x 1 x 1 x 2  x 1 x 1 10W x 1 x 1 x1 (Download & page/down) x 1 x2 (Front+Top)
<b>Dimensions</b>	Dimensions(W x H x D) Weight	311.8 x 113.0 x 244.1 mm 2.9 kg (6.39 lbs)
<b>Power</b>	Power Supply Power Consumption	AC 100 to 240 V, 50/60 Hz 300W, Standby<1W
<b>Audible Noise</b>	33/26 dBA (Normal/Economic mode)	
<b>On-Screen Display Languages</b>	Arabic/Bulgarian/ Croatian/ Czech/ Danish/ Dutch/ English/ Finnish/ French/ German/ Greek/ Hindi/ Hungarian/ Italian/ Indonesian/ Japanese/ Korean/ Norwegian/ Polish/ Portuguese/ Romanian/ Russian/ Simplified Chinese/Spanish/ Swedish/ Turkish/ Thai/ Traditional Chinese (28 Languages)	
<b>Picture Modes</b>	Dynamic/Presentation/sRGB/Cinema/3D/User 1/User 2	
<b>Accessories</b>	<b>Standard</b> Remote Control w/ Battery Power Cord (by region) User Manual CD Quick Start Guide Warranty Card (by region) VGA(D-sub 15pin) Cable	<b>Optional</b> Presentation Plus P/N: 65J9306.002 Spare Lamp Kit P/N: 5JJ8E05.001 Ceiling Mount P/N: 5JJ4N10.001 Wall Mount P/N: 5JJ4R10.011 3D Glasses P/N: 5JJ0T14.011 Carry bag P/N: 5JJ3T09.001

\*Lamp life results will vary depending on environmental conditions and usage. Actual product's features and specifications are subject to change without notice.

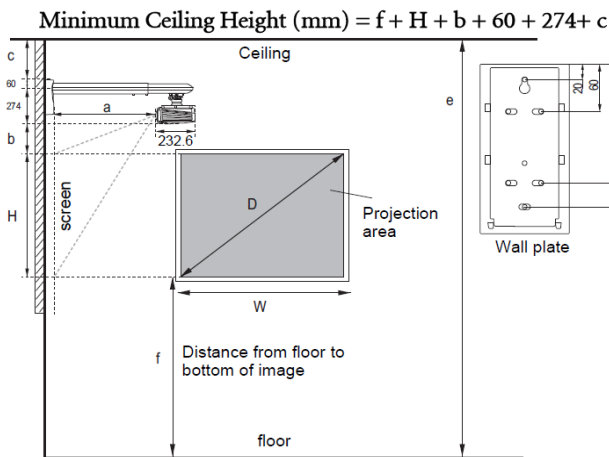
# MW821ST Digital Projector

## Distance Chart



Screen size				Distance from screen (mm)	Vertical offset (mm)
Diagonal		W (mm)	H (mm)		
Inch	mm				
80	2032	1723	1077	842	54
100	2540	2154	1346	1053	67
120	3048	2585	1615	1263	81
150	3810	3231	2019	1579	101
180	4572	3877	2423	1895	121
200	5080	4308	2692	2105	135
220	5588	4739	2962	2316	148
240	6096	5169	3231	2526	162
270	6858	5816	3635	2842	182
300	7620	6462	4039	3158	202

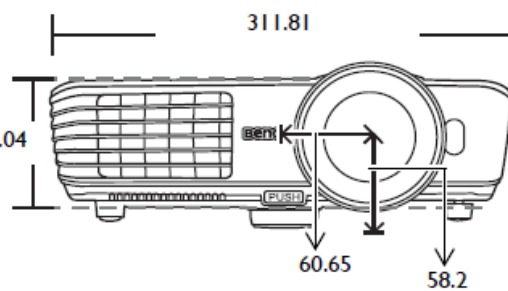
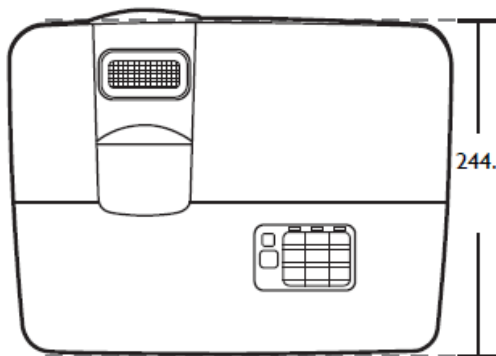
## Wall mount/Ceiling mount Chart



Computer Resolution: WXGA Image Resolution: WXGA	Diagram Reference	SMART Board 685	Promethean ActivBoard 387	Hitachi FX-TRIO-88W	Hitachi FX-DUO-88W
Image Diagonal (inches)	D	87	87	88	88
Image Height (mm)	H	1171	1171	1181	1181
Image Width (mm)	W	1874	1874	1887	1887
Distance from floor to bottom of image (mm)	f	900	900	900	900
Distance from screen surface to projector lens (mm)	a	916	916	926	926
Distance from top case to the top of image (mm)	b	6.8	6.8	7.5	7.5
Distance from top of wall mount to ceiling (mm)	c	50	50	50	50
Minimum Ceiling Height (mm)	e	2461.8	2461.8	2472.5	2472.5

## Dimension

311.81 mm (W) x 113.04 mm (H) x 244.12 mm (D)



Unit: mm

