

Highlights

- 3D Capable for HDMI 1.4a 3D Mandatory Formats
- Brightness at 2000 ANSI Lumens
- High Contrast Ratio at 50,000:1
- Wide Range Lens Shift
- Frame Interpolation
- ISFccc

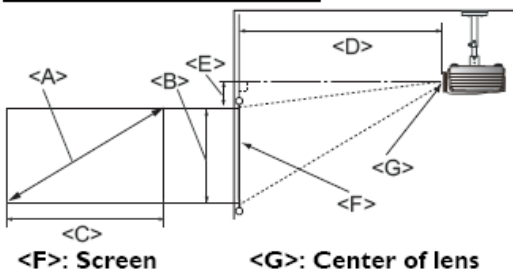


Projection System	DLP®	
Native Resolution	1080p (1920 x 1080)	
Brightness	2000 ANSI lumens	
Contrast Ratio	50000:1	
Display Color	1.07 Billion Colors	
Lens	F=2.48-2.81, f=24.1-36.15mm	
Aspect Ratio	Native 16:9 (5 aspect ratio selectable)	
Throw Ratio	1.62-2.43 (55.7"@2m)	
Image Size (Diagonal)	28"-300"	
Zoom Ratio	1.50:1	
Lamp Type	300W	
Lamp (Normal/Economic Mode)*	2000/2500/NA hours	
Keystone Adjustment	1D, Vertical ± 30 degrees	
Lens Shift	V: ±125% Max, H: ±40% Max	
Resolution Support	VGA (640 x 480) to WUXGA (1920 x 1200)	
Horizontal Frequency	31K-92KHz	
Vertical Scan Rate	23-120Hz	
Compatibility	HDTV Compatibility	720@50P/60P, 1080@50i/60i/24p/30p/50p/60p
	Video Compatibility	NTSC, PAL, SECAM, YPbPr (480i/480p/576i/576p)
	3D Compatibility	Frame packing and top bottom format up to 1080p/24Hz, side by side up to 1080/60i, frame sequential 720p 120Hz
Interface	Computer in (D-sub 15pin)	x 1
	HDMI v1.4	x 2
	Component Video	x 1
	S-Video (Mini Din 4 pin)	x 1
	DC 12V Trigger	x 1
	RS232 (9pin)	x 1
Dimensions	Dimensions(W x D x H)	428 x 317 x 145 mm
	Weight	6.7kg (14.8lbs)
Power	Power Supply	100 to 240 VAC
	Power Consumption	Max. 466W, Standby<1W
Audible Noise	33/28 dBA (Normal/Economic mode)	
On-Screen Display Languages	English/Français/Deutsch/Italiano/Español/Русский/繁體中文/简体中文/日本語/한국어/svenska/Nederlands/Türkçe / čeština/Português/ไทย/ไทย/ไทย/polski (17 Languages)	
Preset Modes	Cinema Mode/Dynamic Mode/Standard/User 1/User 2/User 3/3D	
Accessories	Standard	Optional
	Remote Control w/ Battery	3D Glasses P/N: 5JJ3925.001; 5J0T14.011
	Power Cord (by region)	Spare Lamp Kit P/N: 5JJ3905.001
	User Manual CD	Ceiling Mounting Kit P/N: 5JJ2K01.001
	Quick Start Guide	
	Warranty Card (by region)	
	VGA (D-sub 15pin) Cable	

* Lamp life results will vary depending on environmental conditions and usage. Actual product's features and specifications are subject to change without notice.

Distance Chart

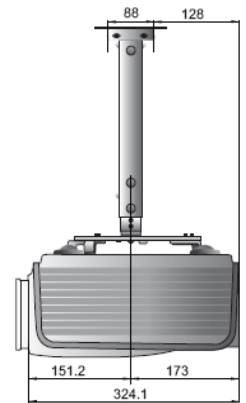
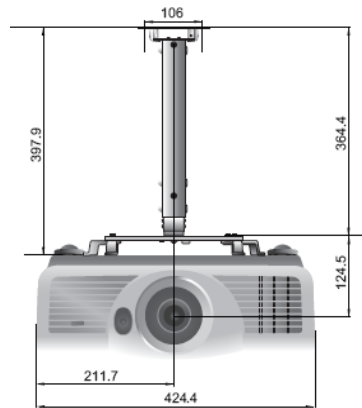
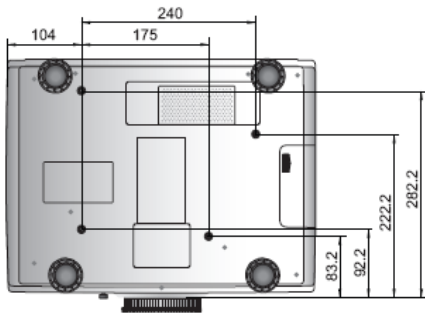
Ceiling Installation



Screen dimensions			Projection distance <D> [cm]			Lowest/Highest lens position <E> [cm]
Diagonal <A> [inch (cm)]	Height [cm]	Width <C> [cm]	Min distance (with max zoom)	Average	Max distance (with min zoom)	
30 (76)	37	66	109	136	164	4.7
40 (102)	50	89	145	182	218	6
50 (127)	62	111	182	227	273	8
60 (152)	75	133	218	273	327	9
70 (178)	87	155	255	318	382	11
80 (203)	100	177	291	364	436	12
90 (229)	112	199	327	409	491	14
100 (254)	125	221	364	455	545	16
110 (279)	137	243	400	500	600	17
120 (305)	149	266	436	545	655	19
130 (330)	162	288	473	591	709	20
140 (356)	174	310	509	636	764	22
150 (381)	187	332	545	682	818	23
160 (406)	199	354	582	727	873	25
170 (432)	212	376	618	773	927	26
180 (457)	224	398	655	818	982	28
190 (483)	237	421	691	864	1036	30
200 (508)	249	443	727	909	1091	31
250 (635)	311	553	909	1136	1364	39
300 (762)	374	664	1091	1364	1636	47

Wall mount/Ceiling mount Chart

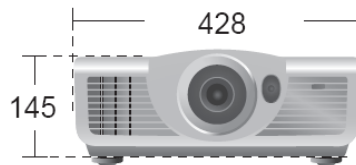
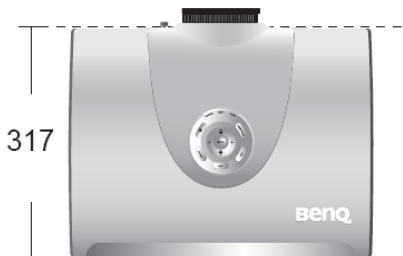
Ceiling mount screws: M6 x 8 (Max. L = 8 mm)



Unit: mm

Dimension

428 mm x 317 mm x 145 mm (W x D x H)



BenQ