



Model Name WI 1000 Digital Projector

Unique Selling Point

- * 4K UHD resolution
- * 8.3 million pixels
- * 4K Upscaling function
- * THX® HD Display Certification
- * Rec. 709 color fidelity
- * CinemaMaster Video Enhancer
- * 1.5X big zoom lens

Trade Mark



Projection System	DLP 4K UHD
Resolution	3840 x 2160 with XPR technology
Display Pixels	8.3 million pixels
Brightness	2200 ANSI lumens
FOFO Contrast Ratio	50,000:1 with Dynamic Iris
Display Color	1.07 Billion Colors
Aspect Ratio	16:9
Lens	F = 2.05 - 2.37 f = 20.54 - 30.31
Throw Ratio	1.36 - 2.03 (100" @ 3m)
Image Size (Clear Focus / Maximum)	95"~180" / 300"
Zoom Ratio	1.5:1
Lamp Type	PHILIPS 240W
Lamp Mode (Normal/Eco/SmartEco)*	3000 / 4000 / 6000 hours
Lens Shift	Vertical: ± 65% / Horizontal: ± 27%
HDMI Compatibility	PC Timing VGA (640 x 480) to 4K UHD (3840 x 2160) Video Timing 480i/p 60Hz, 576i/p 50Hz, 720p 50/60Hz, 1080i 50/60Hz, 1080p 24/25/30/50/60Hz, 2160p 24/25/30/50/60Hz
Horizontal Frequency	15 - 102KHz
Vertical Scan Rate	23 - 120Hz
Color Wheel Segment	6-Segment (RGBRGB)
Color Wheel Speed	1x (120 Hz)

Interface	PC (D-Sub)	x 1
	HDMI	x 2 (HDMI 1; HDMI 2.0 & HDCP 2.2; HDMI 2: HDMI 1.4a & HDCP 1.4)
	USB (Type mini B)	x 1 (Service)
	LAN	x 1
	RS232	x 1
	DC 12V Trigger	x 2
	IR Receiver	x 2 (Front & Back)
IR in	x 1	

Physical	Dimensions (W x L x H)	470.7 x 564.7 x 224.9 mm
	Weight	14.8 kg (32.6 lbs)

Power	Power Supply	AC100 to 240 V, 50 to 60 Hz
	Power Consumption	Normal 353W, Eco 290W, Network Standby <6W, Standby <0.5W

Audible Noise (Normal/Economic mode)	26 / 23 dBA (Silence mode)
--------------------------------------	----------------------------

On-Screen Display Languages	Arabic/Bulgarian/ Croatian/ Czech/ Danish/ Dutch/ English/ Finnish/ French/ German/ Greek/ Hindi/ Hungarian/ Italian/ Indonesian/ Japanese/ Korean/ Norwegian/ Polish/ Portuguese/ Romanian/ Russian/ Simplified Chinese/Spanish/ Swedish/ Turkish/ Thai/ Traditional Chinese (28 Languages)
-----------------------------	--

Picture Modes	** ISF Disabled: Bright / Vivid / Cinema / THX / Silence / User 1 / User 2
	*** ISF Enabled: Bright / Vivid / Cinema / THX / Silence / User 1 / User 2 / ISF Night / ISF Day

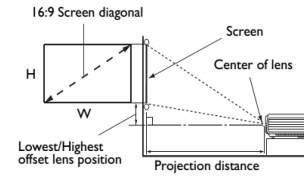
Accessories	Standard	Optional
	Lens Cover	Spare Lamp Kit
	Remote Control with Battery	CMGS Ceiling Mount
	Power Cord (by region)	Anamorphic lens
	User Manual CD	
	Quick Start Guide	
Warranty Card		

Environmental Notice	Lamp in this product contains mercury. To dispose of the product or used lamps, consult your local environment authorities for regulations or see www.lamprecycle.org .
----------------------	--

* Lamp life results will vary depending on environmental conditions and usage. Actual product's features and specifications are subject to change without notice.
 ** Default picture mode is THX.
 *** When ISF is enable, default picture mode is ISF Night.

WI 1000 Digital Projector

Distance Chart

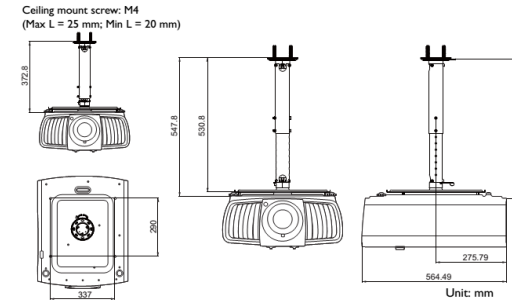


* The screen aspect ratio is 16:9 and the projected picture is in a 16:9 aspect ratio

Screen size		Distance from screen (mm)				Lowest/ Highest Lens position (mm)
Diagonal	H (mm)	W (mm)	Min length (max. zoom)	Average	Max length (min. zoom)	
80	2032	996	1771	2400	3600	149
90	2286	1121	1992	2700	3375	168
100	2540	1245	2214	3000	3750	187
110	2794	1370	2436	3300	4125	205
120	3048	1494	2657	3600	4500	224
130	3302	1619	2878	3900	4875	243
140	3556	1743	3099	4200	5250	262
150	3810	1868	3321	4500	5625	280
160	4064	1992	3542	4800	6000	299
170	4318	2117	3763	5100	6375	318
180	4572	2241	3985	5400	6750	336
190	4826	2366	4206	5700	7125	355
200	5080	2491	4428	6000	7500	374

For example, if you are using a 120-inch screen, the recommended projection distance is 4500 mm. If your measured projection distance is 520 cm, the closest match in the "Distance from screen (mm)" column is 5250 mm. Looking across this row shows that a 140" (about 3.6 m) screen is required.

Wall Mount / Ceiling Mount Chart



Dimension

