



Model Name **W1090 Home Projector**

- *Native 1080p Full-HD Image quality
- *Brilliant Color with 6X RGBRGB C/W
- *CinemaMaster Audio with 10W Speaker
- *Enjoy 100" big Screen in only 2.5m
- *Optional Wireless Accessory (WDP02)



Technology

Projection System	DLP
DMD type	DC3

Image

Native Resolution	1080p(1920x 1080)
Brightness	2000 ANSI lumens
Contrast ratio	10000:1
Keystone Correction	1D, Vertical +/- 40 degrees
Aspect Ratio	Native 16:9 (5 aspect ratio selectable)
Light Source	210W
Light Source life*	3000/4500/6500 (hours)

Optical

Throw Ratio	1.15~1.5
Projection Offset	Vertical: 115% +5%
Zoom Ratio	1.3x
Lens	F=2.59~2.87, f=16.88~21.88
Projection Size	30" ~ 300"

Compatibility

Resolution Support	VGA(640 x 480) to WUXGA(1920 x 1200)
Horizontal Frequency	15K~102KHz
Vertical Scan Rate	23-120Hz
HDTV Compatibility	480i, 480p, 576i, 576p, 720p, 1080i, 1080p
Video Compatibility	NTSC, PAL, SECAM, SDTV(480i/576i), EDTV (480p/576p, HDTV (720p, 1080i/p 60Hz)
3D Compatibility (Please refer to User Manual for detailed support timing.)	Frame Sequential: Up to 60Hz 720p Frame Packing: Up to 24 Hz 1080p Side by Side: Up to 24Hz 1080p Top Bottom: Up to 60Hz 1080p

Advanced Feature

Security	Security bar
----------	--------------

Interface

Computer in (D-sub 15pin)	x1 (integrate with component)
HDMI	x2 (HDMI with MHL2.0 x1, HDMI x 1)
MHL	x 1 (HDMI with MHL2.0)
Monitor out	No
Composite Video in (RCA)	x 1
S-Video in	No
Audio in (Mini Jack)	x 1
Audio in (L/R)	x1
Audio out (Mini Jack)	x 1
Speaker	10W x 1 with CinemaMaster Audio+
USB (Type A)	x 1
USB (Type mini B)	x 1 (service only)
RS232 (DB-9pin)	x 1
IR Receiver	x2 (Front and Rear)

General

Power Consumption	270 W(Normal), 220 W(Eco), Standby <0.5W
-------------------	--

Standby Power Consumption Automatic power off after 20 minutes without a display source.

Power Supply AC 100 to 240 V, 50/60 Hz

Product Dimensions 346.24 mm (W) x 101.70 mm (H) x 214.81 mm (D)

Product Weight 2.75kg

Environmental Notice Lamp in this product contains mercury.
To dispose of the product or used lamps, consult your local environment authorities for regulations or see www.lamprecycle.org.

Picture Modes Bright / Vivid/ Cinema / Game/ User

On Screen Display Language Arabic/Bulgarian/ Croatian/ Czech/ Danish/ Dutch/ English/ Finnish/ French/ German/ Greek/ Hindi/ Hungarian/ Italian/ Indonesian/ Japanese/ Korean/ Norwegian/ Polish/ Portuguese/ Romanian/ Russian/ Simplified Chinese/Spanish/ Swedish/ Turkish/ Thai/ Traditional Chinese (28 Languages)

Accessories	Standard	Optional
	Remote Control w Battery	Spare Lamp Kit
	User Manual CD	RS232 Cable
	QSG	Universal Ceiling Mount
	Warranty Card (by region)	Carry Bag
	Power Cord (by region)	Wireless FHD Kit(WDP02)

*Lamp life results will vary depending on environmental conditions and usage. Actual product's features and specifications are subject to change without notice.

** Default mode is Vivid. When 3D is on, Picture Modes only shows 3D. When 3D is off, it is not shown in Picture Modes.

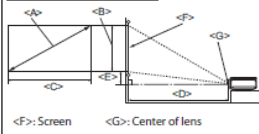
*** Storage: Temperature: -20~60°C; Humidity: 10~90%RH (without condensation)

WI090 Projector

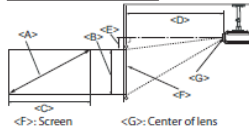
Distant chart

Screen dimensions			Projection distance <D> [mm]			Offset (full height definition) <E> [mm]	
Diagonal <A> [inch (mm)]	Height [mm]	Width <C> [mm]	Min distance (with max zoom)	Average	Max distance (with min zoom)		
50	(1270)	623	1107	1273	1461	1649	93
60	(1524)	747	1328	1528	1753	1979	112
70	(1778)	872	1550	1782	2046	2309	131
80	(2032)	996	1771	2037	2338	2639	149
90	(2286)	1121	1992	2291	2630	2969	168
100	(2540)	1245	2214	2546	2922	3299	187
110	(2794)	1370	2435	2800	3214	3628	205
120	(3048)	1494	2657	3055	3507	3957	224
130	(3302)	1619	2878	3310	3799	4288	243
140	(3556)	1743	3099	3564	4091	4618	262
150	(3810)	1868	3321	3819	4383	4948	280
160	(4064)	1992	3542	4073	4676	5278	299
170	(4318)	2117	3763	4328	4968	5608	318
180	(4572)	2241	3985	4583	5260	5937	336
190	(4826)	2366	4206	4837	5552	6267	355
200	5080	2491	4428	5092	5844	6597	374
250	(6350)	3113	5535	6365	7306	8245	467
300	(7620)	3736	6641	7638	8767	9896	560

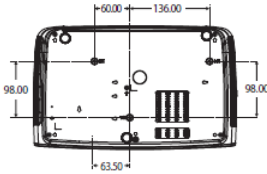
Floor Installation



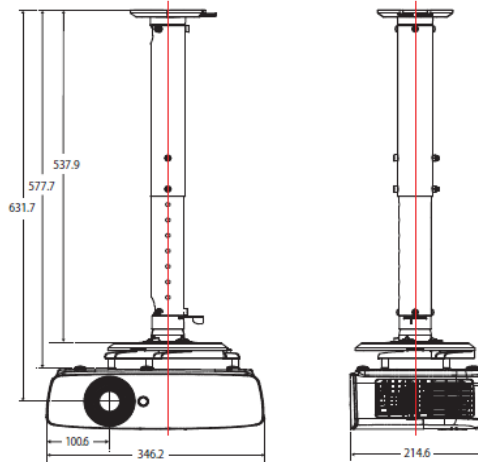
Ceiling Installation



Ceiling mount Chart



*Ceiling Mount Screws:
M4 (Max. L=25, Min. L=20)



Unit: mm

Dimension



346.24 mm (W) x 101.70 mm (H) x 214.81 mm (D)



Unit: mm

