



## Model Name **MX726 Projector**

### Unique selling point

- \* 4000ANSI Lumen High Brightness
- \* 11000:1 High Contrast Ratio
- \* Blu-ray Full HD 3D support
- \* MHL mirror the screen of smart device
- \* SmartEco

### Trade Mark



<b>Projection System</b>	DLP	
<b>Native Resolution</b>	XGA (1024x768)	
<b>Brightness</b>	4000 ANSI Lumen	
<b>Contrast Ratio</b>	11000:1	
<b>Display Color</b>	1.07 Billion Colors	
<b>Lens</b>	F=2.59~2.91, f=16.87~21.87mm	
<b>Aspect Ratio</b>	Native 4:3 (5 aspect ratio selectable)	
<b>Throw Ratio</b>	1.5-1.9(65.6"@2m)	
<b>Image Size (Diagonal)</b>	50" ~ 300"	
<b>Zoom Ratio</b>	1.3x	
<b>Lamp Type</b>	280W	
<b>Lamp(Normal/Economic/SmartEco Mode)*</b>	3000/4000/6000 hours	
<b>Keystone Adjustment</b>	2D, Vertical & Horizontal ± 30 degrees	
<b>Projection Offset</b>	Vertical: 125% ±5%	
<b>Resolution Support</b>	VGA(640 x 480) to WUXGA_RB(1920 x 1200)*RB = Reduced blanking	
<b>Horizontal Frequency</b>	15K-102KHz	
<b>Vertical Scan Rate</b>	23-120Hz	
<b>Compatibility</b>	HDTV Compatibility	480i, 480p, 576i, 576p, 720p, 1080i, 1080p
	Video Compatibility	NTSC, PAL, SECAM
	3D Compatibility	Frame Sequential: Up to 60Hz 720p
	(Please refer to User Manual for detailed support timing.)	Frame Packing: Up to 24 Hz 1080p Side by Side: Up to 24Hz 1080p Top Bottom: Up to 60Hz 1080p
<b>Interface</b>	Computer in (D-sub 15pin)	x 2
	HDMI	x2 (HDMI with MHL2.0 x1, HDMI x 1)
	MHL	x 1 (HDMI with MHL2.0)
	Monitor out	x 1
	Composite Video in (RCA)	x 1
	S-Video in	x 1
	Audio in (Mini Jack)	x 1
	Audio in (L/R)	x1
	Audio out (Mini Jack)	x 1
	Microphone in(Mini jack)	x 1
	Speaker	10W x 1
	LAN(RJ-45)	x 1 (LAN Control & LAN display)
	USB (Type A)	x 1
	USB (Type Mini B)	x 1
	DC 12V Trigger (3.5mm Jack)	x 1
	RS232 (DB-9pin)	x 1
	IR Receiver	x2 (Front+Rear)
<b>Dimensions</b>	Dimensions(W x H x D)	314.2x116x216.3mm (include feet) 314.2x102x216.3mm (exclude)
	Weight	7.28 lbs (3.3 Kg)
<b>Power</b>	Power Supply	AC100 to 240V, 3.9A, 50 to 60 Hz
	Power Consumption	370W(Normal), 310W(Eco), Network standby <6W, Standby
	Power Management Function	Automatic power off after 20 minutes without a display source
<b>Audible Noise</b>	37/34 dBA (Normal/Economic mode)	
<b>On-Screen Display Languages</b>	Arabic/Bulgarian/ Croatian/ Czech/ Danish/ Dutch/ English/ Finnish/ French/ German/ Greek/ Hindi/ Hungarian/ Italian/ Indonesian/ Japanese/ Korean/ Norwegian/ Polish/ Portuguese/ Romanian/ Russian/ Simplified Chinese/Spanish/ Swedish/ Turkish/ Thai/ Traditional Chinese (28 Languages)	
<b>Picture Modes**</b>	**Dynamic / <b>Presentation</b> / sRGB / Cinema / (3D) / User 1 / User 2	
<b>Accessories</b>	<b>Standard</b>	<b>Optional</b>
	Carry bag	Power Cord (by region)
	Remote Control w Battery	VGA cable
	User Manual CD	QSG
	Lens Cover	Warranty Card (by region)
		Spare Lamp Kit
		Ceiling mount kit
		Carry bag
		3D Glasses

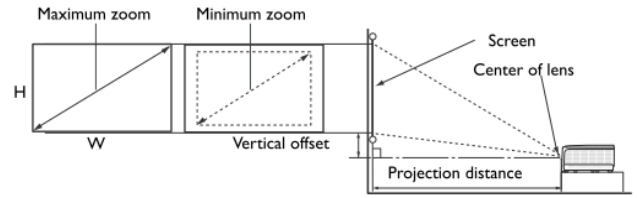
\*Lamp life results will vary depending on environmental conditions and usage. Actual product's features and specifications are subject to change without notice.

\*\* Default mode is Presentation. When 3D is on, Picture Modes only shows 3D. When 3D is off, it is not shown in Picture Modes.

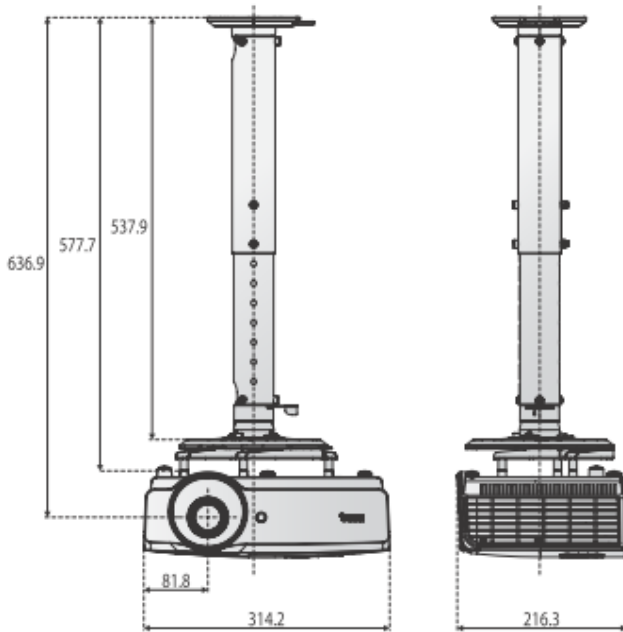
# MX726 Projector

## Distance Chart

Screen size				Distance from screen [mm]			Offset (mm)
Diagonal		Width	Height	Min Distance	Average	Max Distance	A (mm) @ Wide mode
inch	mm	mm	mm				
50	1270	1016	762	1524	1763	2002	106
60	1524	1219	914	1829	2115	2402	127
70	1778	1422	1067	2134	2468	2802	148
80	2032	1626	1219	2438	2820	3202	169
90	2286	1829	1372	2743	3173	3603	191
100	2540	2032	1524	3048	3526	4003	212
110	2794	2235	1676	3353	3878	4403	233
120	3048	2438	1829	3658	4231	4804	254
130	3302	2642	1981	3962	4583	5204	275
140	3556	2845	2134	4267	4936	5604	297
150	3810	3048	2286	4572	5288	6005	318
160	4064	3251	2438	4877	5641	6405	339
170	4318	3454	2591	5182	5993	6805	360
180	4572	3658	2743	5486	6346	7205	381
190	4826	3861	2896	5791	6698	7606	402
200	5080	4064	3048	6096	7051	8006	424
250	6350	5080	3810	7620	8814	10008	530
300	7620	6096	4572	9144	10577	12009	636



## Ceiling mount Chart



## Dimension

