



## Model Name **MU686 Projector**

\*WUXGA Native Resolution

\*3500ANSI Lumen High Brightness

\*20000:1 High Contrast Ratio

\*Whisper Quiet 31dB in Daily Meeting

\*Wireless Presentation via Your Smart Device by QCast<sup>(optional)</sup>



### Technology

**Projection System** DLP  
**DMD type** DC3

### Image

**Native Resolution** WUXGA (1920x1200)  
**Brightness** 3500 ANSI Lumen  
**Contrast ratio** 20000:1  
**Keystone Correction** 1D, Vertical +/- 40 degrees  
**Aspect Ratio** Native 16:10 (5 aspect ratio selectable)  
**Light Source** UHP 240W  
**Light Source life\*** 3000/4000/6000/7500 (80%~30%) hours

### Optical

**Throw Ratio** 1.15-1.49 (Wide 95" ±3% @ 2.42m)  
**Projection Offset** Vertical: 100% ±5%  
**Zoom Ratio** 1.3x  
**Lens** F=2.59~2.87, f=16.88~21.88  
**Projection Size** 30" ~ 300"

### Compatibility

**Resolution Support** VGA(640 x 480) to WUXGA\_RB(1920 x 1200)\*RB = Reduced blanking  
**Horizontal Frequency** 15K-102KHz  
**Vertical Scan Rate** 23-120Hz  
**HDTV Compatibility** 480i, 480p, 576i, 576p, 720p, 1080i, 1080p  
**Video Compatibility** NTSC, PAL, SECAM  
**3D Compatibility**  
(Please refer to User Manual for detailed support timing.)  
Frame Sequential: Up to 60Hz 720p  
Frame Packing: Up to 24 Hz 1080p  
Side by Side: Up to 24Hz 1080p  
Top Bottom: Up to 60Hz 1080p

### Advanced Feature

**Security(防盜為主)** Security bar / Kensington Security Slot  
**Feature** Optional Wifi Dongle Qcast (Video/ tapNshow for android quick connect)

### Interface

**Computer in (D-sub 15pin)** x1 (integrate with component)  
**HDMI** x2 (HDMI with MHL2.0 x1, HDMI x 1)  
**MHL** x1 (HDMI with MHL2.0)  
**Monitor out** x1  
**Composite Video in (RCA)** x1  
**S-Video in** x1  
**Audio in (Mini Jack)** x1  
**Audio in (L/R)** x1  
**Audio out (Mini Jack)** x1  
**Speaker** 2W x 1  
**USB (Type A)** x1 (1.5A power supply)  
**USB (Type mini B)** x1  
**RS232 (DB-9pin)** x1  
**IR Receiver** x2 (Front+Top)

### General

**Power Consumption** 350W(Normal), 261W(Eco), Standby <0.5W  
**Standby Power Consumption** Automatic power off after 20 minutes without a display source  
**Power Supply** AC100 to 240V, 3.5A, 50 to 60 Hz  
331x129.4x246.2mm (include feet)  
**Product Dimensions** 331x114.4x246.2mm (exclude feet)  
**Product Weight** 7.28 lbs (3.3 Kg)  
**Noise Level** 31/28 dBA (Normal/Economic mode)

### Environmental Notice

Lamp in this product contains mercury.  
To dispose of the product or used lamps, consult your local environment authorities for regulations or see [www.lamprecycle.org](http://www.lamprecycle.org).

### On Screen Display Language

Arabic/Bulgarian/ Croatian/ Czech/ Danish/ Dutch/ English/ Finnish/ French/ German/ Greek/ Hindi/ Hungarian/ Italian/ Indonesian/ Japanese/ Korean/ Norwegian/ Polish/ Portuguese/ Romanian/ Russian/ Simplified Chinese/Spanish/ Swedish/ Turkish/ Thai/ Traditional Chinese (28 Languages)

### Accessories

Standard	Optional
Remote Control w Battery (5JJJE306.001)	Spare Lamp Kit (5JJFM05.001)
User Manual CD (5BJFM01.001)	Wireless USB Dongle - QCast
Lens Cover	Carry bag (5JJ4N09.001)
Warranty Card (by region)	3D Glasses
Power Cord (by region)	Ceiling mount
VGA cable	
QSG (4JJFM01.001)	

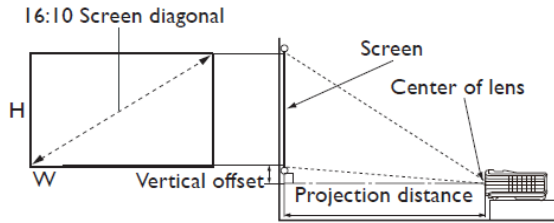
\*Lamp life results will vary depending on environmental conditions and usage. Actual product's features and specifications are subject to change without notice.

\*\* Default mode is Presentation. When 3D is on, Picture Modes only shows 3D. When 3D is off, it is not shown in Picture Modes.

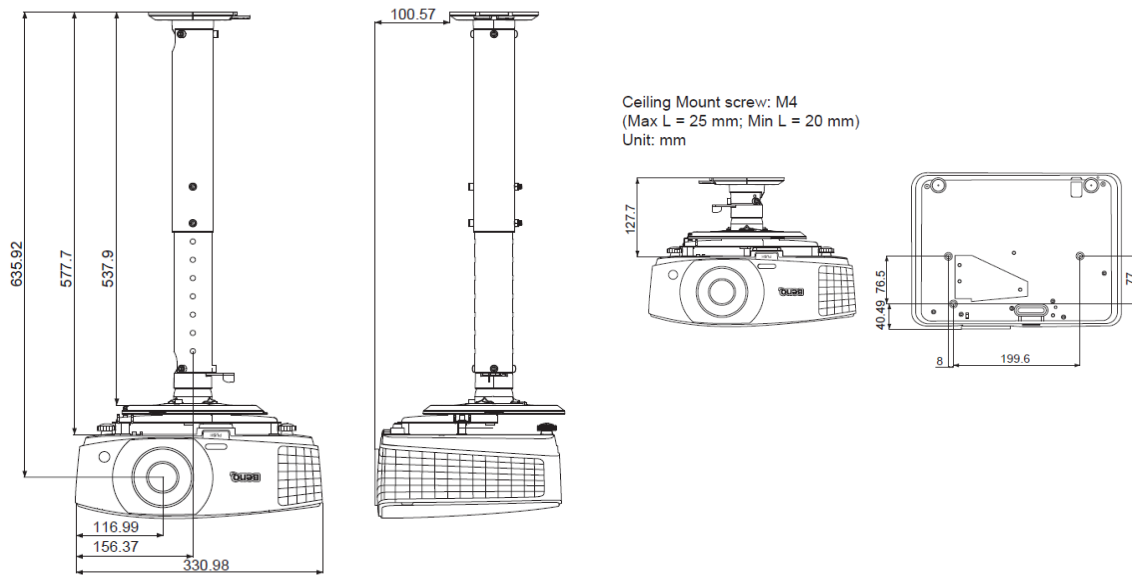
# MU686 Projector

## Distant chart

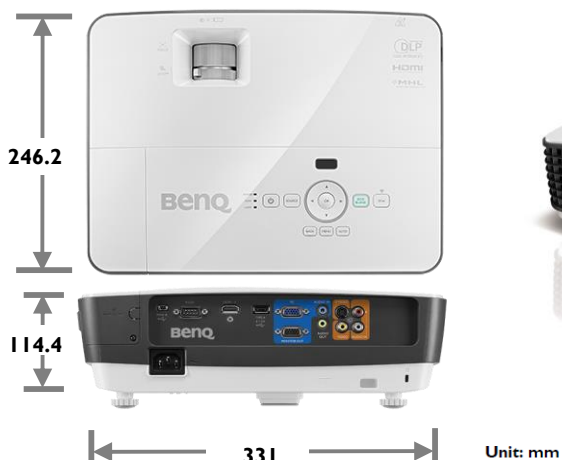
Screen size				Distance from screen (mm)			Vertical offset (mm)
Diagonal	H	W	Min length	Average	Max length		
Inch	mm	(mm)	(max. zoom)		(min. zoom)		
40	1016	538	862	991	1142	1292	0
50	1270	673	1077	1239	1427	1615	0
60	1524	808	1292	1486	1712	1939	0
70	1778	942	1508	1734	1998	2262	0
80	2032	1077	1723	1982	2283	2585	0
90	2286	1212	1939	2229	2569	2908	0
100	2540	1346	2154	2477	2854	3231	0
110	2794	1481	2369	2725	3139	3554	0
120	3048	1615	2585	2972	3425	3877	0
130	3302	1750	2800	3220	3710	4200	0
140	3556	1885	3015	3468	3996	4523	0
150	3810	2019	3231	3716	4281	4846	0
160	4064	2154	3446	3963	4566	5169	0
170	4318	2289	3662	4211	4852	5492	0
180	4572	2423	3877	4459	5137	5816	0
190	4826	2558	4092	4706	5422	6139	0
200	5080	2692	4308	4954	5708	6462	0
250	6350	3365	5385	6193	7135	8077	0
300	7620	4039	6462	7431	8562	9693	0



## Ceiling mount Chart



## Dimension



1

2

3

4

