



# MP780ST (type: MP780ST+) Digital Projector

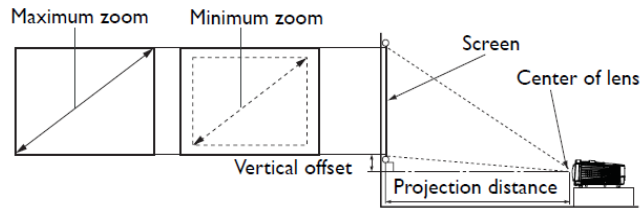
- PointDraw™ Interactive Projector with PD pen 2.0 (supports duo pen simultaneously)
- Short Throw
- Microphone in with 2x 10 Watt speakers
- LAN display
- BrilliantColor™



<b>Projection System</b>	DLP®	
<b>Native Resolution</b>	WXGA (1280x800)	
<b>Brightness</b>	2500 ANSI lumens	
<b>Contrast Ratio</b>	3000:1 (Full on/Full off)	
<b>Display Color</b>	1.07 Billion Colors	
<b>Lens</b>	F=2.6, f=6.9mm	
<b>Aspect Ratio</b>	Native 16:10 (5 aspect ratio selectable)	
<b>Throw Ratio</b>	0.49 (87" @0.91m)	
<b>Image Size (Diagonal)</b>	47~300"	
<b>Zoom Ratio</b>	Fixed	
<b>Lamp Type</b>	185W	
<b>Lamp (Normal/Economic Mode)*</b>	3000/4000 hrs (Normal/Economic mode)	
<b>Keystone Adjustment</b>	1D, Vertical ±40 degrees	
<b>Projection Offset</b>	130% ±5%	
<b>Resolution Support</b>	VGA(640 x 480) to UXGA(1600 x 1200)	
<b>Horizontal Frequency</b>	31K~102KHz	
<b>Vertical Scan Rate</b>	23~120Hz	
<b>Compatibility</b>	HDTV Compatibility	480i, 480p, 576i, 576p, 720p, 1080i, 1080p
	Video Compatibility	NTSC, PAL, SECAM
	3D Compatibility	PC: 120Hz Frame Sequential 3D for resolutions up to WXGA, PC: 60Hz Top-bottom 3D for resolutions up to SXGA+ Video: 60Hz Frame Sequential 3D for resolutions up to 480i
<b>Interface</b>	Computer in (D-sub 15pin)	x 2 (Share with Component video in)
	Monitor out (D-sub 15pin)	x 1
	HDMI (V1.3)	x 1
	Composite Video in (RCA)	x 1
	S-Video in (Mini DIN 4pin)	x 1
	Audio in (Mini Jack)	x 1
	Audio L/R in (RCA)	x 1
	Audio out (Mini Jack)	x 1
	Microphone in (Mini jack)	x 1
	Speaker	10W x 2
	LAN (RJ45)	x 1
	USB TypeA/TypeB/mini TypeB	x2/x1/x1(download)
	RS232 (DB-9pin)	x 1
	IR Receiver	x 2
<b>Dimensions</b>	Dimensions(W x H x D)	329.5mm x248.5 mm x 130mm (with foot)
	Weight	3.69 kg (8.14lbs)
<b>Power</b>	Power Supply	AC 100 to 240 V, 50/60 Hz
	Power Consumption	260W, Standby<1W
<b>Audible Noise</b>	27/25 dBA (Normal/Economic mode)	
<b>On-Screen Display Languages</b>	Bulgarian/ Croatian/ Czech/ Danish/ Dutch/ English/ Finnish/ French/ German/ Hungarian/ Italian/ Japanese/ Korean/ Norwegian/ Polish/ Portuguese/ Romanian/ Russian/ Simplified Chinese/Spanish/ Swedish/ Turkish/ Thai/ Traditional Chinese (24 Languages)	
<b>Picture Modes</b>	Dynamic/Presentation/sRGB/Cinema/User 1/User 2	
<b>Accessories</b>	<b>Standard</b>	<b>Optional</b>
	Remote Control w/ Battery	Wireless Dongle
	Power Cord (by region)	Spare Lamp Kit
	User Manual CD/Quick Start Guide	PD pen 2.0
	Warranty Card (by region)	Carry Bag
	VGA(D-sub 15pin) Cable	Presentation Plus
	PD pen 2.0	

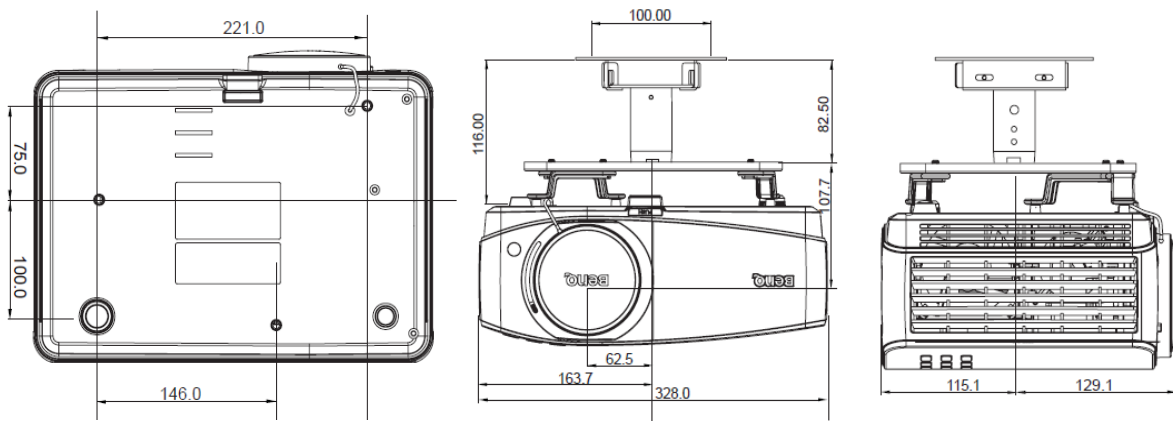
\*Lamp life results will vary depending on environmental conditions and usage. Actual product's features and specifications are subject to change without notice.

## Distance Chart



Screen size				Distance from screen (mm)	Vertical offset (mm)
Diagonal	W	H			
Inch	mm	(mm)	(mm)		
40	1016	862	538	431	88
50	1270	1077	673	539	110
60	1524	1292	808	646	132
80	2032	1723	1077	862	176
100	2540	2154	1346	1077	220
120	3048	2585	1615	1293	264
150	3810	3231	2019	1616	330
200	5080	4308	2692	2154	440
220	5588	4739	2962	2370	484
250	6350	5385	3365	2693	550
300	7620	6462	4039	3231	660

## Ceiling mount Chart



## Dimension

