

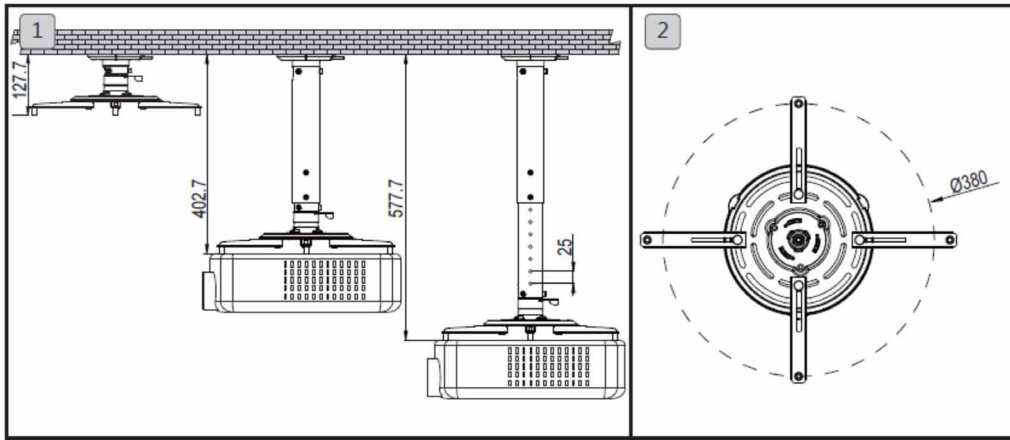
# Universal Ceiling Mount

Specifications	
Model Name	CM00G3
Part Number	5J.JAM10.001
UPC	8400460-3013-1
Material	Steel/ Aluminum Alloy
Weight	4.56lbs (2.07kg)
Length	5.02 ~ 22.7 (each spaced .98" apart)
Rotation Angle	360°
Tilt Angle	+/- 25°
Load	33lbs (15kg)
Screw Type	M3, M4, M5, M6



Extension Column Length (Includes all BenQ projectors except CP220 & GP Series)

1. Adjustable Height: column connector extends 5" - 22.7" (increments of .98")
2. Fits projectors with a mounting hole less than 15" diameter.



Angled Ceiling Adjustments

1. Angled ceiling compensation adjustable by +/- 25 degrees.
2. Tighten nut to secure angle adjustments before aligning the hinge module.

