

HOME ENTERTAINMENT PROJECTOR | W7500

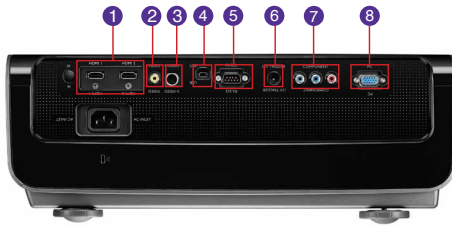


Features

- Native Full HD 1080P (1920x1080) Resolution
- 2,000 ANSI Lumens
- Enhanced Contrast Ratio 60,000:1 (Darkchip3)
- 3D PC & Blu-Ray Ready
- 2D / 3D Content Conversion
- REC 709 Color Performance
- Frame Interpolation (MEMC)
- Professional Picture Adjustment (ISFccc)



Input and Output Terminals



- 1 Dual HDMI
- 2 Composite Video in (RCA)
- 3 S-Video In (Mini DIN 4pin)
- 4 USB (Type Mini B)
- 5 RS232 (DB-9pin)
- 6 12V Trigger
- 7 Audio Out (Mini Jack)
- 8 Computer in (D-sub 15pin)

Specifications

Projection System	Single 0.65" DC3 DLP DMD	
Native Resolution	1080p (1920 x 1080)	
Brightness	2,000 ANSI lumens	
Contrast Ratio	60,000:1	
Display Color	1.07 Billion Colors	
Lens	F=2.48-2.81, f=24, 1-36.1mm	
Aspect Ratio	Native 16:9 (5 aspect ratio selectable)	
Throw Ratio	1.62 to 2.43 (55.7"@2m)	
Image Size (Diagonal)	28"-300"	
Zoom Ratio	1.5:1	
Lamp Type	300W	
Lamp (Normal/Economic Mode)*	2000/3000	
Keystone Adjustment	1D, Vertical ± 10 degrees	
Projection Offset	Vertical: ±125% Max/ Horizontal: ±40% Max	
Resolution Support	up to WUXGA	
Horizontal Frequency	15K-102KHz	
Vertical Scan Rate	23-120Hz	
Color Wheel Segment	6-Segment (RGBRGB)	
Color Wheel Speed	4X & 6X	
Compatibility	HDTV Compatibility: 720@50P/60P, 1080@50i/60i/24p/30p/50p/60p Video Compatibility: NTSC, PAL, SECAM, SDTV(480i/576i), EDTV (480p/576p), HDTV (720p, 1080i/p 60Hz) 3D Compatibility: Frame packing and top bottom format up to 1080/24p, side by side up to 1080/60i, frame sequential 720p 120Hz	
Interface	Computer in (D-sub 15pin)	x 1
	HDMI (v1.4a)	x 2
	Composite Video in (RCA)	x 1
	S-Video in (Mini DIN 4pin)	x 1
	Component Video in	x 1
	USB (Type Mini B)	x 1
	DC 12V Trigger (3.5mm Jack)	x 1
	RS232 (DB-9pin)	x 1
Dimensions (WxHxD)	428 x 145 x 317 mm	
Weight	6.7kg (14.8lbs)	
Power Supply	90-264VAC, 47-63Hz	
Power Consumption	416W, Standby<0.5W	
Audible Noise	35/31 dBA (Normal/Economic mode)	
Languages	Arabic/Bulgarian/ Croatian/ Czech/ Danish/ Dutch/ English/ Finnish/ French/ German/ Greek/ Hindi/ Hungarian/ Italian/ Indonesian/ Japanese/ Korean/ Norwegian/ Polish/ Portuguese/ Romanian/ Russian/ Simplified Chinese/Spanish/ Swedish/ Turkish/ Thai/ Traditional Chinese (28 Languages)	
Picture Mode	Cinema Mode/Dynamic Mode/Standard/User 1/User 2/User 3/3D	
Accessories (Standard)	Remote Control w/ Battery, Power Cord, User Manual CD (24L), Quick Start Guide, Warranty Card, VGA (D-sub 15pin) Cable	
Accessories (Optional)	Spare Lamp Kit	P/N: 5J.J8W05.001
	Ceiling Mount Kit	P/N: 5J.J4N10.001
	3D Glasses	P/N: 5J.J7K25.001
UPC / Part #	8400460-2733-9 / 9H.J8W77.18A	
Limited Warranty	3 years / 1 year or 2000 hours lamp life	

*Lamp life results will vary depending on environmental conditions and usage. Actual product's features and specifications are subject to change without notice.



BenQ Canada Corp.
 Tel: (416) 363-2367 | www.BenQ.ca

BenQ is a registered trademark of BenQ Corp. DLP is a registered trademark of Texas Instruments. All rights reserved. Corporate and trademarks are the property of their respective companies. Specifications subject to change without notice.



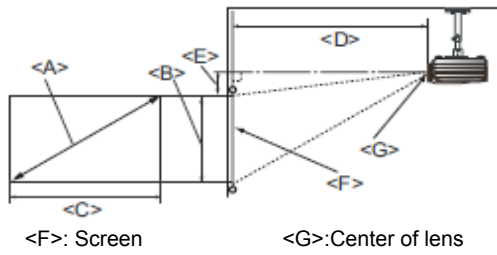
Enjoyment Matters

W7500 12-03-13-BQca

W7500 Home Entertainment Projector

Distance Chart

Ceiling Installation

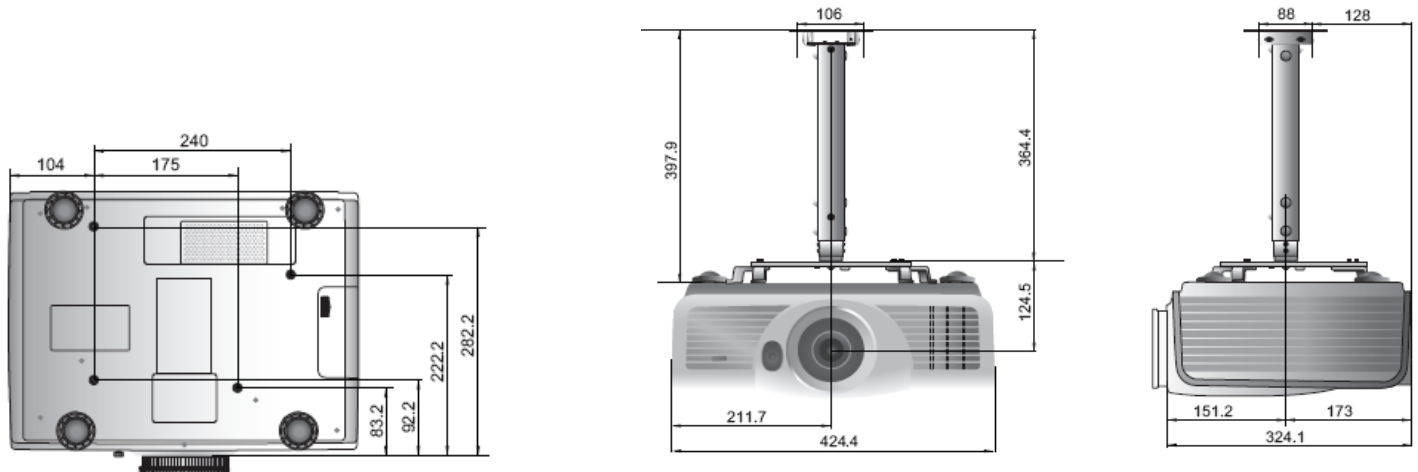


Screen Dimensions				Projection distance <D> (mm)			Lowest/Highest lens position <E> (mm)
Diagonal <A>		H (mm)	W <C> (mm)	Min distance	Average	Max distance	
Inch	mm			max zoom		min zoom	
30	762	374	664	1077	1346	1616	47
40	1016	498	885	1436	1795	2154	62
50	1270	623	1107	1795	2244	2693	78
60	1524	747	1328	2154	2693	3232	93
70	1778	872	1549	2513	3142	3770	109
80	2032	996	1771	2873	3591	4309	125
90	2286	1121	1992	3232	4039	4847	140
100	2540	1245	2214	3591	4488	5386	156
110	2794	1370	2435	3950	4937	5925	171
120	3048	1494	2656	4309	5386	6463	187
130	3302	1619	2878	4668	5835	7002	202
140	3556	1743	3099	5027	6284	7540	218
150	3810	1868	3320	5386	6732	8079	233
160	4064	1992	3542	5745	7181	8618	249
170	4318	2117	3763	6104	7630	9156	265
180	4572	2241	3984	6463	8079	9695	280
190	4826	2366	4206	6822	8528	10233	296
200	5080	2490	4427	7181	8977	10772	311
250	6350	3113	5534	8977	11221	13465	389
300	7620	3735	6641	10772	13465	16158	467

Ceiling Mount Chart

Ceiling mount screws: M6 x 8 (Max. L = 8 mm)

Units: mm



Dimensions

Units: mm

