

DIGITAL
PROJECTOR

TW523P

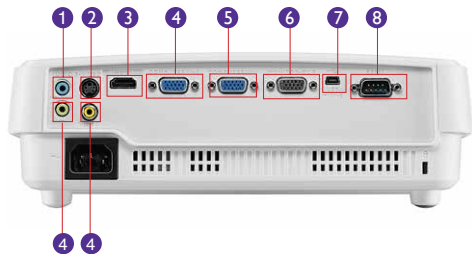


Features

- Native WXGA Resolution (1280 x 800)
- 3,000 ANSI Lumens; 13,000:1 Contrast Ratio
- SmartEco™ Power Saving Technology
- Up to 10,000 Hours Long Lamp Life
- Various 3D Format for Entertainment



Input and Output Terminals



- | | |
|----------------------------|-----------------------------|
| 1 Audio In (Mini Jack) | 6 Monitor Out (D-sub 15pin) |
| 2 S-Video (Mini DIN 4-pin) | 7 USB (Mini-B) |
| 3 HDMI | 8 RS232 (DB-9pin) |
| 4 Computer-1 (D-sub 15pin) | 9 Audio Out (Mini Jack) |
| 5 Computer-2 (D-sub 15pin) | 10 Composite Video in (RCA) |

Specifications

Projection System	DLP
Native Resolution	WXGA (1280 x 800)
Brightness	3,000AL
Contrast Ratio	13,000:1
Display Color	1.07 Billion Colors
Lens	F=2.56-2.8, f=21-23.1 mm
Aspect Ratio	Native 16:10 (5 aspect ratio selectable)
Throw Ratio	1.5-1.65 (62" @2m)
Image Size Diagonal	42" - 300"
Zoom Ratio	1.1:1
Lamp Type	190W
Normal/ Eco/ SmartEco/ SmartEco Lamp Care	4500/6000/6500/10000 hours
Keystone Adjustment	1D, Vertical +/- 40 degrees
Projection Offset	100% ±5%
Resolution Support	VGA(640 x 480) to UXGA(1600 x 1200)
Horizontal Frequency	15~102KHz
Vertical Scan Rate	23~120Hz
Compatibility	HDTV Compatibility: 480i, 480p, 576i, 576p, 720p, 1080i, 1080p Video Compatibility: NTSC, PAL, SECAM 3D Compatibility: Frame Sequential: Up to 720p Frame Packing: Up to 1080p Side by Side: Up to 1080i/p Top Bottom: Up to 1080p
Interface	Computer in (D-sub 15pin) x 2 (Share with component) Monitor out (D-sub 15pin) x 1 Composite Video in (RCA) x 1 S-Video in (Mini DIN 4pin) x 1 HDMI x 1 Audio in (Mini Jack) x 1 Audio out (Mini Jack) x 1 Speaker 2W x 1 USB (Type mini B) x 1 RS232 (DB-9pin) x 1 IR Receiver x 1 (Front)
Dimensions (WxHxD)	283 x 95 x 222 mm
Weight	1.9 kg
Power Supply	AC100 to 240 V, 50 to 60 Hz
Power Consumption	Normal 270W, Eco 220W, Standby<0.5W
Audible Noise	33/28 dBA (Normal/Economic mode)
On-Screen Display Languages	Arabic/Bulgarian/ Croatian/ Czech/ Danish/ Dutch/ English/ Finnish/ French/ German/ Greek/ Hindi/ Hungarian/ Italian/ Indonesian/ Japanese/ Korean/ Norwegian/ Polish/ Portuguese/ Romanian/ Russian/ Simplified Chinese/Spanish/ Swedish/ Turkish/ Thai/ Traditional Chinese (28 Languages)
Picture Mode	Dynamic/Presentation/sRGB/Cinema/(3D)/User 1/User 2
Accessories (Standard)	Remote Control w/ Battery , Power Cord, UM download instruction and Regulatory statement, Quick Start Guide, Warranty Card, VGA(D-sub 15pin) Cable
Accessories (Optional)	Spare Lamp Kit 5J.JA105.001 Ceiling Mount 5J.J4N10.001 3D Glasses 5J.J7K25.001 Carry bag 5J.J4R09.001
UPC Code / Part #	8400460-3018-6 / 9H.JC277.14A
Limited Warranty	1 year parts & labor; 180 days or 500 hours of lamp life

*Lamp life results will vary depending on environmental conditions and usage. Actual product's features and specifications are subject to change without notice.

TW523P 03-26-14-BQca



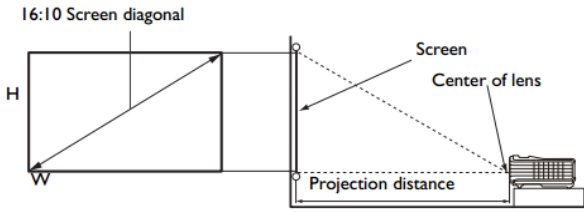
BenQ Canada Corp.

Tel: (416) 363-2367 www.BenQ.ca

BenQ is a registered trademark of BenQ Corp. DLP is a registered trademark of Texas Instruments. All rights reserved. Product names, logos, brands, and other trademarks featured or referred to in this materials are the property of their respective trademark holders. Specifications subject to change without notice.

TW523P Digital Projector

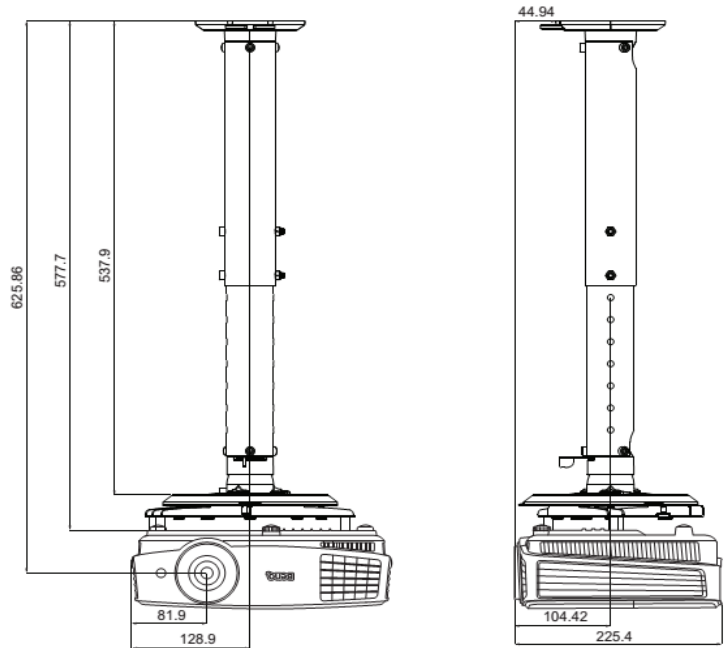
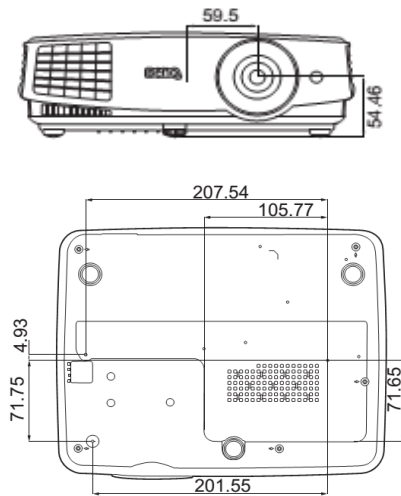
Distance Chart



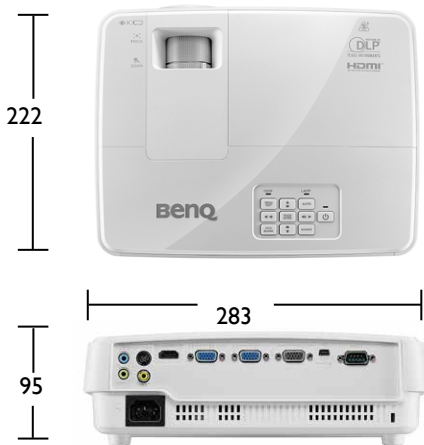
Screen Size				Projection Distance (mm)		
Diagonal		Width (mm)	Height (mm)	Min Length (max. zoom)	Average	Max Length (min. zoom)
Inch	mm					
40	1016	862	538	1290	1355	1419
50	1270	1077	673	1613	1694	1774
60	1524	1292	808	1935	2032	2129
70	1778	1508	942	2258	2371	2484
80	2032	1723	1077	2581	2710	2839
90	2286	1939	1212	2903	3048	3194
100	2540	2154	1346	3226	3387	3548
110	2794	2369	1481	3548	3726	3903
120	3048	2585	1615	3871	4065	4258
130	3302	2800	1750	4194	4403	4613
140	3556	3015	1885	4516	4742	4968
150	3810	3231	2019	4839	5081	5323
160	4064	3446	2154	5161	5419	5677
170	4318	3662	2289	5484	5758	6032
180	4572	3877	2423	5806	6097	6387
190	4826	4092	2558	6129	6435	6742
200	5080	4308	2692	6452	6774	7097
250	6350	5385	3365	8065	8468	8871
300	7620	6462	4039	9677	10161	10645

Ceiling Mount Chart

Ceiling Mount screw: M4
(Max L = 25 min; Min L = 20 min)



Dimensions



Units: mm

