

DIGITAL PROJECTOR

# SX914

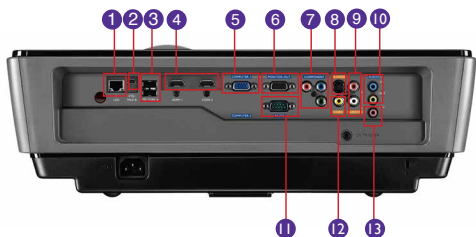


## Features

- Native XGA (1024 x 768) Resolution
- 6,000 ANSI Lumens, 6,500:1 High Contrast Ratio
- Big Zoom Ratio: 1.6
- Vertical Len Shift Support
- DLP® 3D via PC & Blu-Ray/DVD Player
- SRSWOW HD™ Audio Compatible
- Full LAN Function Support (Control, Display & Audio)



## Input and Output Terminals



- |                             |                              |
|-----------------------------|------------------------------|
| 1 LAN                       | 7 Component Video in         |
| 2 USB (Type Mini B)         | 8 S-Video In (Mini DIN 4pin) |
| 3 USB (Type A)              | 9 Audio In L & R (RCA)       |
| 4 HDMI x 2                  | 10 Audio in/Out (Mini Jack)  |
| 5 Computer in (D-sub 15pin) | 11 RS232 (DB-9pin)           |
| 6 Monitor Out (D-sub 15pin) | 12 Composite Video in (RCA)  |
|                             | 13 Mic                       |



## Specifications

Projection System	DLP®
Native Resolution	XGA(1024x768)
Brightness	6,000AL
Contrast Ratio	6,500:1
Display Color	1.07 Billion Colors
Lens	F=2.1-2.63, f=21.70-34.94mm
Aspect Ratio	Native 4:3 (5 aspect ratio selectable)
Throw Ratio	1.5-2.4 (65.6"±3% @ 2m)
Image Size (Diagonal)	30"-300"
Zoom Ratio	1.6±2%
Lamp Type	350W
Lamp (Normal/Economic Mode)*	1500/2000 hours
Keystone Adjustment	1D, Vertical +/- 40 degrees
Projection Offset	Vertical: 115%-125%±5%
Resolution Support	VGA(640 x 480) to WUXGA_RB(1920 x 1200) *RB = Reduced blanking
Horizontal Frequency	15K-102KHz
Vertical Scan Rate	23-120Hz
Compatibility	HDTV Compatibility: 480i, 480p, 576i, 576p, 720p, 1080i, 1080p Video Compatibility: NTSC, PAL, SECAM, 3D Compatibility: Frame Sequential: Up to 480i Frame Packing: Up to 24 Hz 1080p Side by Side: Up to 60Hz 1080i Top Bottom: Up to 24Hz 1080p
Interface	Computer in (D-sub 15pin) x 2(Share with component) Monitor out (D-sub 15pin) x 1 Composite Video in (RCA) x 1 S-Video in (Mini DIN 4pin) x 1 Component video in x 1 HDMI x 2 Audio in (Mini Jack) x 1 Audio in (L/R) x 1 Audio out (Mini Jack) x 1 Microphone in (Mini Jack) x 1 Speaker 10W x 2 USB (Type A) x 2 (USB Reader & Wireless Display & Remote Desktop) USB (Type mini B) x 1 (Download & page/down) RJ45 x 1 (LAN Control & LAN Display & Audio) RS232 (DB-9pin) x 1 DC 12V Trigger (3.5mm Jack) x 1 IR Receiver x 2 (Front+rear)
Dimensions (WxHxD)	17.6" x 6.0" x 13.2" / 446 x 152 x 336 mm
Weight	13.7 lbs / 6.2 kgs
Power Supply	AC 100 to 240 V, 50/60 Hz
Power Consumption	525 W (max), Standby<0.5W
Audible Noise	35/30 dBA (Normal/Economic mode)
Languages	Arabic/Bulgarian/ Croatian/ Czech/ Danish/ Dutch/ English/ Finnish/ French/ German/ Greek/ Hindi/ Hungarian/ Italian/ Indonesian/ Japanese/ Korean/ Norwegian/ Polish/ Portuguese/ Romanian/ Russian/ Simplified Chinese/Spanish/ Swedish/ Turkish/ Thai/ Traditional Chinese (28 Languages)
Picture Mode	Dynamic/Presentation/sRGB/Cinema/(3D)/User 1/User 2
Accessories (Standard)	Remote Control w/ Battery, Power Cord, User Manual CD QSG, Warranty Card, VGA (D-sub 15pin) Cable, Lens Cover
Accessories (Optional)	Spare Lamp Kit P/N: 5J.J8K05.001 Ceiling Mount Kit P/N: 5J.JAM10.001 3D Glasses P/N: 5J.J7L25.002
UPC / Part #	8400460-2646-1 / 9H.J8K77.15A
Limited Warranty	3 Years Parts/Labor; 1 Year or 2000 hours of lamp life.

\*Lamp life results will vary depending on environmental conditions and usage. Actual product's features and specifications are subject to change without notice.



BenQ.us • BenQ.ca

BenQ is a registered trademark of BenQ Corp. All rights reserved. Product names, logos, brands, and other trademarks featured or referred to in this material are the property of their respective trademark holders. Specifications subject to change without notice.

SX914 | 12415

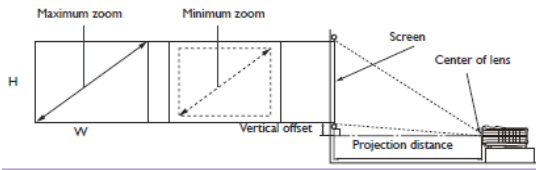


Because it matters

# SX914 Digital Projector

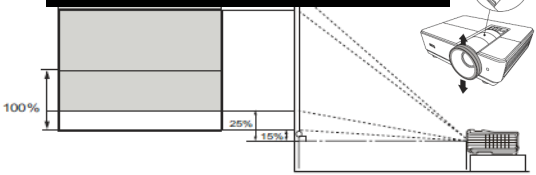
## Distance Chart

The screen aspect ratio is 16:9 and the projected picture is 16:9



Inch	mm	Screen Size		Distance from screen (inch / mm)						Vertical offset (inch / mm)									
		Diagonal		H		W		Min distance		Average		Max distance		Max offset		Min offset		Mid offset	
		inch / mm	inch / mm	inch / mm	inch / mm	Min zoom	Max zoom	Min zoom	Max zoom	125%	115%	120%							
50	1270	30	762	40	1016	60.7	1544	79.2	2012	97.6	2479	3.7	95	2.2	57	2.9	76		
60	1524	36	914	48	1219	72.9	1853	95.0	2414	117.1	2975	4.5	114	2.7	69	3.5	91		
70	1778	42	1067	56	1422	85.1	2162	110.9	2816	136.6	3471	5.2	133	3.1	80	4.2	107		
80	2032	48	1219	64	1626	97.2	2471	126.7	3219	156.1	3966	5.9	152	3.5	91	4.8	122		
90	2286	54	1372	72	1829	109.4	2780	142.5	3621	175.6	4462	6.7	171	4.1	103	5.4	137		
100	2540	60	1524	80	2032	121.6	3089	158.4	4023	195.2	4958	7.5	191	4.5	114	5.9	152		
110	2794	66	1676	88	2235	133.8	3398	174.2	4426	214.7	5454	8.3	210	4.9	126	6.6	168		
120	3048	72	1829	96	2438	145.9	3706	190.0	4828	234.2	5950	9.0	229	5.4	137	7.2	183		
130	3302	78	1981	104	2642	158.1	4015	205.9	5230	253.7	6446	9.7	248	5.8	149	7.7	198		
140	3556	84	2134	112	2845	170.2	4324	221.7	5633	273.2	6941	10.5	267	6.2	160	8.4	213		
150	3810	90	2286	120	3048	182.4	4633	237.6	6035	292.8	7437	11.2	286	6.7	171	9.0	229		
160	4064	96	2438	128	3251	194.6	4942	253.4	6437	312.3	7933	12.0	305	7.2	183	9.6	244		
170	4318	102	2591	136	3454	206.7	5251	269.2	6840	331.8	8429	12.7	324	7.6	194	10.1	259		
180	4572	108	2743	144	3658	218.8	5560	285.1	7242	351.3	8925	13.5	343	8.1	206	10.7	274		
190	4826	114	2896	152	3861	231.0	5868	300.9	7644	370.8	9420	14.2	362	8.5	217	11.4	290		
200	5080	120	3048	160	4064	243.1	6177	316.8	8047	390.3	9916	15.0	381	9.0	229	12.0	305		
250	6350	150	3810	200	5080	304.0	7722	395.9	10058	487.9	12395	18.7	476	11.2	286	15.0	381		
300	7620	180	4572	240	6096	364.8	9266	475.2	12070	585.6	14874	22.5	572	13.5	343	17.9	457		

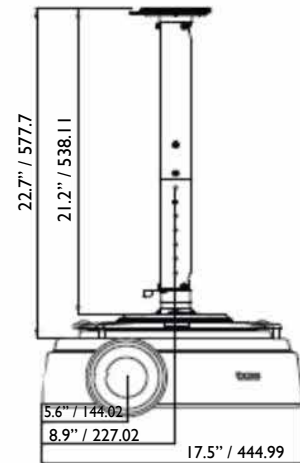
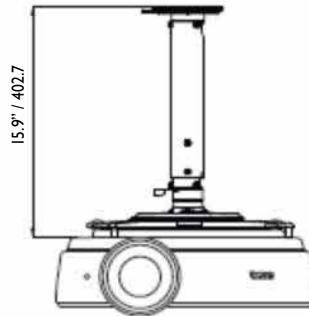
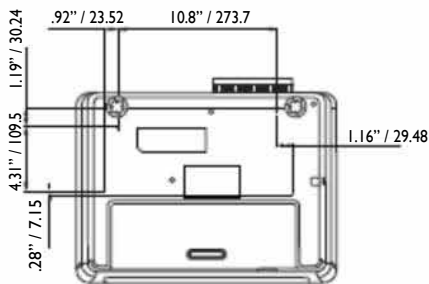
### Shifting the Projection Lens



## Ceiling Mount Chart

Ceiling Mount screw: M4 (Max L=25 mm; Min L = 20mm)

Units: inch / mm



## Dimensions

Units: inch / mm

