

# DIGITAL PROJECTOR | SU964

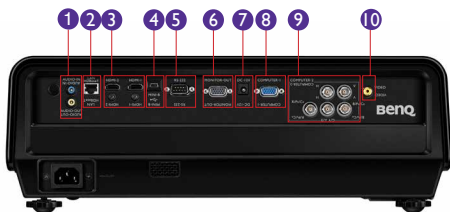


## Features

- Native WUXGA (1920X1200) Resolution
- 6,500 ANSI Lumens
- 8,300:1 High Contrast Ratio
- Horizontal & Vertical Lens Shift
- HDBaseT & Dual HDMI
- LAN Control



## Input and Output Terminals - Left Side View



- |                            |                               |
|----------------------------|-------------------------------|
| 1 Audio in/out (Mini Jack) | 6 Monitor out (D-sub 15pin)   |
| 2 LAN (RJ45)               | 7 12V Trigger                 |
| 3 LAN & HDBaseT            | 8 Computer 1 in (D-sub 15pin) |
| 4 USB (Type Mini B)        | 9 Component Video in (5BNC)   |
| 5 RS232 (DB-9pin)          | 10 Composite Video in (RCA)   |

## Specifications

Projection System	DLP®																										
Native Resolution	WUXGA (1920X1200)																										
Brightness	6,500 AL																										
Contrast Ratio	8300:1																										
Display Color	1.07 Billion Colors																										
Lens	F=2.48~2.81, f=24.1~36.15 mm																										
Aspect Ratio	Native 16:10 (5 aspect ratio selectable)																										
Throw Ratio	1.62~2.43 (87" @ 3.04m)																										
Image Size (Diagonal)	70"~300"																										
Zoom Ratio	1.5:1																										
Lamp Type	350W x 2																										
Lamp (Normal/Economic Mode)*	2000/2500 hours																										
Keystone Adjustment	2D, Vertical & Horizontal ± 30 degrees																										
Lens Shift	Vertical: -90~+90%; Horizontal: -30~+30%																										
Resolution Support	VGA(640 x 480) to WUXGA_RB(1920 x 1200)																										
Horizontal Frequency	15K~102KHz																										
Vertical Scan Rate	23~120Hz																										
Compatibility	HDTV Compatibility: 480i, 480p, 576i, 576p, 720p, 1080i, 1080p Video Compatibility: NTSC, PAL, SECAM																										
Interface	<table border="0"> <tr> <td>Computer 1 in (D-sub 15pin)</td> <td>x 1 (Share with component)</td> </tr> <tr> <td>Monitor out (D-sub 15pin)</td> <td>x 1</td> </tr> <tr> <td>HDMI</td> <td>x 2</td> </tr> <tr> <td>Component Video in (5BNC)</td> <td>x 1</td> </tr> <tr> <td>Composite Video in (RCA)</td> <td>x 1</td> </tr> <tr> <td>Audio in (Mini Jack)</td> <td>x 1</td> </tr> <tr> <td>Audio out (Mini Jack)</td> <td>x 1</td> </tr> <tr> <td>Speaker</td> <td>10W x 1</td> </tr> <tr> <td>LAN (RJ45)</td> <td>x 1 (LAN Control &amp; HDBaseT)</td> </tr> <tr> <td>USB (Type Mini B)</td> <td>x 1 (Download)</td> </tr> <tr> <td>12V Trigger</td> <td>x 1</td> </tr> <tr> <td>RS232 (DB-9pin)</td> <td>x 1</td> </tr> <tr> <td>IR Receiver</td> <td>x 2 (Front &amp; Rear)</td> </tr> </table>	Computer 1 in (D-sub 15pin)	x 1 (Share with component)	Monitor out (D-sub 15pin)	x 1	HDMI	x 2	Component Video in (5BNC)	x 1	Composite Video in (RCA)	x 1	Audio in (Mini Jack)	x 1	Audio out (Mini Jack)	x 1	Speaker	10W x 1	LAN (RJ45)	x 1 (LAN Control & HDBaseT)	USB (Type Mini B)	x 1 (Download)	12V Trigger	x 1	RS232 (DB-9pin)	x 1	IR Receiver	x 2 (Front & Rear)
Computer 1 in (D-sub 15pin)	x 1 (Share with component)																										
Monitor out (D-sub 15pin)	x 1																										
HDMI	x 2																										
Component Video in (5BNC)	x 1																										
Composite Video in (RCA)	x 1																										
Audio in (Mini Jack)	x 1																										
Audio out (Mini Jack)	x 1																										
Speaker	10W x 1																										
LAN (RJ45)	x 1 (LAN Control & HDBaseT)																										
USB (Type Mini B)	x 1 (Download)																										
12V Trigger	x 1																										
RS232 (DB-9pin)	x 1																										
IR Receiver	x 2 (Front & Rear)																										
Dimensions (WxHxD)	17.4" x 6.5" x 13.9" / 443 x 167 x 354.7 mm																										
Weight	28.6 lbs / 13kgs																										
Power Supply	AC100 to 240 V, 50 to 60 Hz																										
Power Consumption	940W (typical), Network standby <6.0W, Standby<0.5W																										
Power Management Function	Automatic power off after 20 minutes without a display source.																										
Audible Noise	44/40/41/38 db (Normal Dual / Eco Dual/ Normal Single Alternative / Economic Single Alternativ)																										
Languages	(28 Languages)																										
Picture Mode	Expert mode Disabled : Dynamic / Presentation / sRGB / Cinema / (3D) / User 1 / User 2 Expert mode Enabled : Expert Mode 1 / Expert Mode 2 / Dynamic / Presentation / sRGB / Cinema / User 1 / User 2																										
Accessories (Standard)	Remote Control w/ Battery, Power Cord, User Manual CD, Quick Start Guide, Warranty Card, VGA(D-sub 15pin) Cable																										
Accessories (Optional)	<table border="0"> <tr> <td>Spare Lamp Kit #1</td> <td>P/N: 5J.J8C05.001; #2 P/N: 5J.J8C05.002</td> </tr> <tr> <td>Ceiling Mount</td> <td>P/N: 5J.JAM10.001</td> </tr> <tr> <td>Remote Control</td> <td>P/N: 5J.JA606.001</td> </tr> <tr> <td>3D Glasses</td> <td>P/N: 5J.J9H25.001</td> </tr> </table>	Spare Lamp Kit #1	P/N: 5J.J8C05.001; #2 P/N: 5J.J8C05.002	Ceiling Mount	P/N: 5J.JAM10.001	Remote Control	P/N: 5J.JA606.001	3D Glasses	P/N: 5J.J9H25.001																		
Spare Lamp Kit #1	P/N: 5J.J8C05.001; #2 P/N: 5J.J8C05.002																										
Ceiling Mount	P/N: 5J.JAM10.001																										
Remote Control	P/N: 5J.JA606.001																										
3D Glasses	P/N: 5J.J9H25.001																										
UPC / Part #	8400460-3139-8 / 9H.JD577.16A																										
Limited Warranty	3 Years Parts/Labor; 1 Year or 2,000 hours of lamp life																										

\*Lamp life results will vary depending on environmental conditions and usage. Actual product's features and specifications are subject to change without notice.



BenQ.us • BenQ.ca

BenQ is a registered trademark of BenQ Corp. All rights reserved. Product names, logos, brands, and other trademarks featured or referred to in this material are the property of their respective trademark holders. Specifications subject to change without notice.

SU964 112415

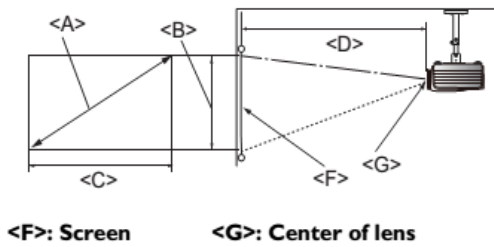


Because it matters

# SU964 Digital Projector

## Distance Chart

### Ceiling Installation

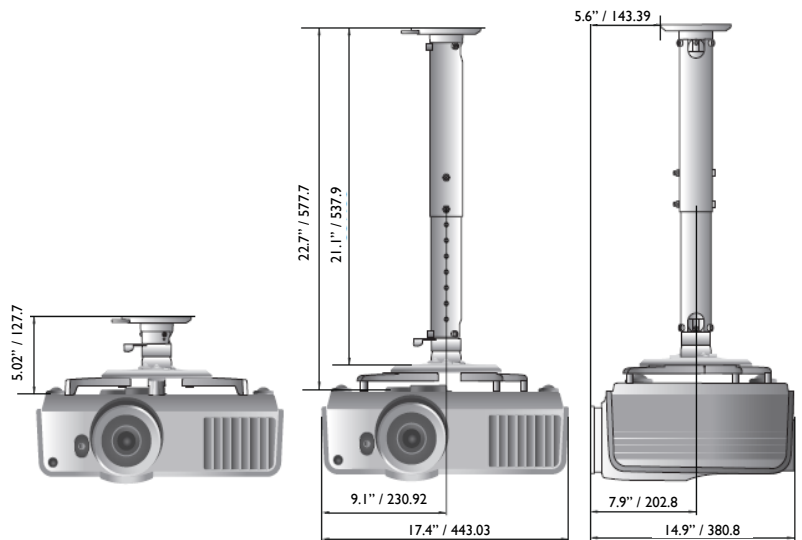
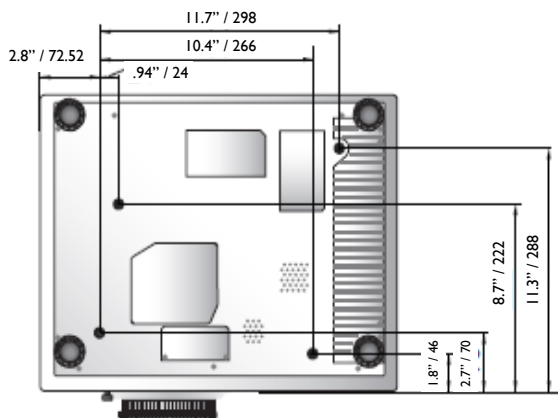


Diagonal		Screen Size		Projection Distance <D> (inch/mm)		
		Height <B> (inch/mm)	Height <C> (inch/mm)	Min distance (with max. zoom)	Average	Max distance (min. zoom)
70	1778	37" / 940	59" / 1510	96.4" / 2450	120.4" / 3060	144.4" / 3670
80	2032	42" / 1080	68" / 1720	110.2" / 2800	137.4" / 3490	164.9" / 4190
90	2286	47" / 1210	76" / 1940	123.6" / 3140	154.7" / 3930	185.8" / 4720
100	2540	53" / 1350	85" / 2150	137.4" / 3490	172.0" / 4370	206.2" / 5240
110	2794	58" / 1480	93" / 2370	151.1" / 3840	188.9" / 4800	226.7" / 5760
120	3048	64" / 1620	102" / 2580	164.9" / 4190	206.2" / 5240	247.6" / 6290
130	3302	69" / 1750	110" / 2800	178.7" / 4540	223.2" / 5670	268.1" / 6810
140	3556	74" / 1880	119" / 3020	192.5" / 4890	240.5" / 6110	288.5" / 7330
150	3810	80" / 2020	127" / 3230	206.2" / 5240	257.8" / 6550	309.4" / 7860
160	4064	85" / 2150	136" / 3450	220.0" / 5590	274.8" / 6980	329.9" / 8380
170	4318	90" / 2290	144" / 3660	233.8" / 5940	292.1" / 7420	350.3" / 8900
180	4572	95" / 2420	153" / 3880	247.6" / 6290	309.4" / 7860	371.2" / 9430
190	4826	101" / 2560	161" / 4090	261.0" / 6630	326.3" / 8290	391.7" / 9950
200	5080	106" / 2690	170" / 4310	274.8" / 6980	343.7" / 8730	412.2" / 10470
250	6350	133" / 3370	212" / 5380	343.7" / 8730	429.5" / 10910	515.3" / 13090
300	7620	159" / 4040	254" / 6460	412.2" / 10470	515.3" / 13090	618.5" / 15710

## Ceiling Mount Chart

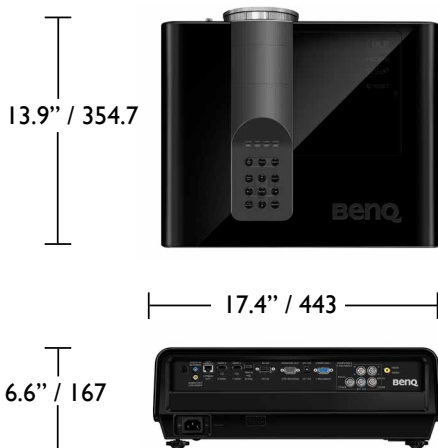
Ceiling Mount Screws: M6 x 8 (Max. L=8 mm)

Units: inch/mm



## Ceiling Mount Chart

Units: inch/mm



Because it matters