

DIGITAL PROJECTOR

MX813ST

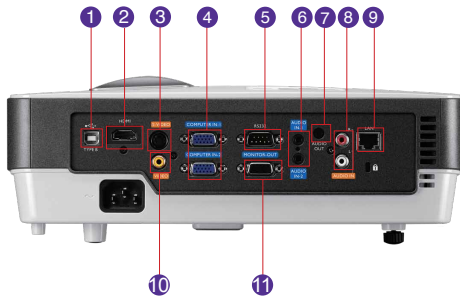


Features

- Native XGA (1024 x 768) Resolution
- 2700 ANSI Lumens, 10000:1 Contrast Ratio
- 0.6 Short Throw Ratio
- LAN Control; HDMI x 1
- Smart Eco Mode; 10W Speaker



Input and Output Terminals



- | | |
|-----------------------------------|-----------------------------|
| 1 USB (Type Mini B) | 7 Audio Out (Mini Jack) |
| 2 HDMI (v1.3) | 8 Audio In R&L (RCA) |
| 3 S-Video In (Mini DIN 4pin) | 9 LAN (RJ45) |
| 4 Computer In 1 & 2 (D-sub 15pin) | 10 Composite Video In (RCA) |
| 5 RS232 (D-Sub 9pin) | 11 Monitor Out (D-Sub 9pin) |
| 6 Audio In (Mini Jack) x2 | |

Specifications

Projection System	DLP
Native Resolution	XGA(1024 x 768)
Brightness	2700 ANSI lumens
Contrast Ratio	10000 : 1
Display Color	1.07 Billion Colors
Lens	F=2.6, f=6.9mm
Aspect Ratio	Native 4:3 (5 aspect ratio selectable)
Throw Ratio	0.61 (78" @ 0.96M)
Image Size (Diagonal)	80~300"
Zoom Ratio	Fixed
Lamp Type	UHP230W with Image Care
Lamp Life (Norm/Eco/Smart Eco)	3500/5000hrs (up to 6500hrs under SmartEco mode)
Keystone Adjustment	Manual Vertical +/- 40 degrees
Projection Offset	120%
Resolution Support	VGA(640 x 480) to UXGA(1600 x 1200)
Horizontal Frequency	31K~102KHz
Vertical Scan Rate	23~120Hz
Compatibility	HDTV Compatibility: 480i, 480p, 576i, 576p, 720p, 1080i, 1080p Video Compatibility: NTSC, PAL, SECAM 3D Compatibility: PC:120Hz Frame Sequential 3D for resolutions up to WXGA PC: 60Hz Top-bottom 3D for resolutions up to SXGA+ Video: 60Hz Frame Sequential 3D for resolutions up to 480i
Interface	Computer in (D-sub 15pin) x 2 (shared with Component) Monitor out (D-sub 15pin) x 1 HDMI (V1.3) x 1 Composite Video in (RCA) x 1 S-Video in (Mini DIN 4pin) x 1 Audio in (Mini Jack) x 2 Audio L/R in (RCA) x 2 Audio out (Mini Jack) x 1 Speaker 10W x 1 LAN (RJ45) x 1 USB (Type B) x 1 (for service) RS232 (DB-9pin) x 1
Dimensions (WxHxD)	302 x 124 x 232mm (11.89 x 4.88 x 9.13 inches)
Weight	2.85kgs (6.27 lbs)
Power Supply	AC 100 to 240 V, 50 / 60 Hz
Power Consumption	Typical 285W, Standby < 1 W
Audible Noise	3/129 dBA (Normal/Economic mode)
On-Screen Display Languages	English/ France/ Germany/ Italian/ Spanish/ Russian/ Traditional Chinese/ Simplified Chinese/ Japanese/ Korean/ Swedish/ Dutch/ Turkish/ Czech/ Portuguese/ Thai/ Polish/ Hungarian/ Croatian/ Romanian/ Norwegian/ Danish/ Bulgaria/ Finnish/ Indonesian/ Greek/ Hindi/ Arabic (28 Languages)
Picture Modes	Dynamic/Presentation/s, RGB/Cinema/User 1/User 2
Accessories (Standard)	Power Cord, Remote Control w/ Battery User Manual CD/Quick Start Guide Warranty Card VGA (D-sub 15pin) Cable Anti Dust Filter
Accessories (Optional)	Spare Lamp Kit P/N: 5J.J4R05.001 0.6 Wall Mount P/N: 5J.J4R10.001 3D Glasses P/N: 5J.J0T14.011 Universal Ceiling Mount P/N: 5J.J2K01.001
Limited Warranty	3-Year Parts/Labor; 1-Year or 2000 hours of lamp life

*Lamp life results will vary depending on environmental conditions and usage. Actual product's features and specifications are subject to change without notice.

MX813ST 01-04-12-BQca



BenQ Canada Corp.

Tel: (416) 363-2367 www.BenQ.ca

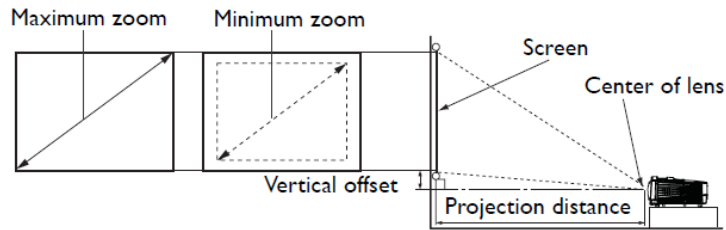
BenQ is a registered trademark of BenQ Corp. DLP is a registered trademark of Texas Instruments. All rights reserved. Corporate and trademarks are the property of their respective companies. Specifications subject to change without notice.



Enjoyment Matters

MX813ST Digital Projector

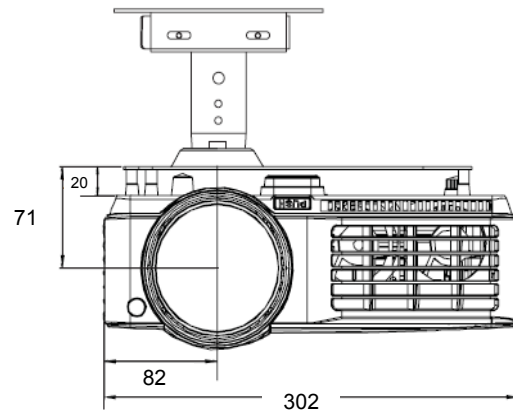
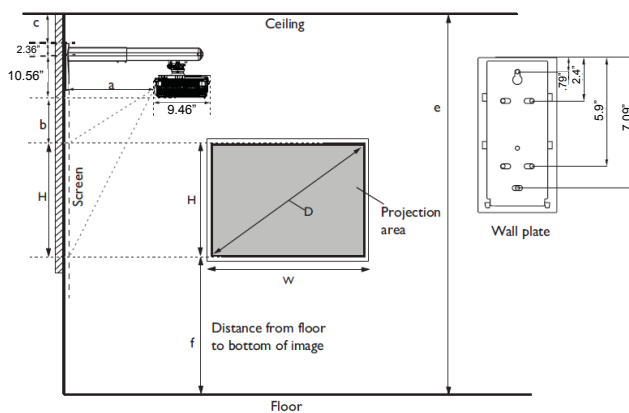
Distance Chart



Screen Size				Distance from screen (mm)	Vertical Offset (mm)
Diagonal		W	H		
Inch	mm	mm	mm		
40	1020	810	610	500	39
60	1520	1220	910	740	85
80	2030	1630	1220	990	131
100	2540	2030	1520	1240	177
150	3810	3050	2290	1860	291
200	5080	4060	3050	2480	405
250	6350	5080	3810	3090	520
300	7620	6100	4570	3710	634

Wall Mount Chart

Minimum Ceiling Height (Inches) = $f + H + b + 60\text{mm} = 268\text{mm} + c$



Dimensions

