

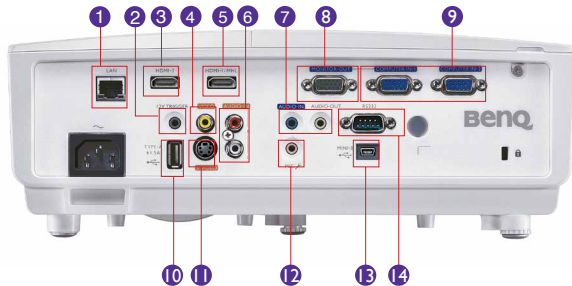


## Features

- Native XGA Resolution (1024x768)
- 4,000 ANSI Lumens
- 11,000:1 Contrast Ratio
- SmartEco™ Power Saving Technology
- Dual HDMI with MHL
- 2D Keystone with Corner Fit
- LAN Control and Display
- Optional Wireless Display



## Input and Output Terminals



- |                              |                                    |
|------------------------------|------------------------------------|
| 1 LAN                        | 8 Monitor Out (D-sub 15pin)        |
| 2 12V Trigger                | 9 Computer In -1 / 2 (D-sub 15pin) |
| 3 HDMI-2                     | 10 USB (Type A)                    |
| 4 Composite Video in (RCA)   | 11 S-Video (Mini DIN 4-pin)        |
| 5 HDMI-1/MHL                 | 12 Mic                             |
| 6 Audio in (L/R)             | 13 USB (Type mini-B)               |
| 7 Audio In & Out (Mini Jack) | 14 RS232 (DB-9pin)                 |



## Specifications

Projection System	DLP
Native Resolution	XGA (1024x768)
Brightness	4000 ANSI Lumen
Contrast Ratio	11000:1
Display Color	1.07 Billion Colors
Lens	F=2.59~2.91, f=16.87~21.87mm
Aspect Ratio	Native 4:3 (5 aspect ratio selectable)
Throw Ratio	1.5-1.97(65" @2m)
Image Size Diagonal	50" ~ 300"
Zoom Ratio	1.3x
Lamp Type	280W
Lamp(Normal/Economic/SmartEco Mode)*	3000/4000/6000 hours
Keystone Adjustment	2D, Vertical & Horizontal ± 30 degrees
Projection Offset	Vertical: 128% ±5%
Resolution Support	UXGA(1600x1200)
Horizontal Frequency	15K-102KHz
Vertical Scan Rate	23-120Hz
Compatibility	HDTV Compatibility: 480i, 480p, 576i, 576p, 720p, 1080i, 1080p Video Compatibility: NTSC, PAL, SECAM 3D Compatibility: Frame Sequential: Up to 60Hz 720p Frame Packing: Up to 24 Hz 1080p Side by Side: Up to 24Hz 1080p Top Bottom: Up to 60Hz 1080p
Interface	Computer in (D-sub 15pin) x 2 HDMI x 2 (HDMI with MHL2.0 x1, HDMI x 1) MHL x 1 (HDMI with MHL2.0) Monitor out x 1 Composite Video In (RCA) x 1 S-Video in x 1 Audio in (Mini Jack) x 1 Audio in (L/R) x 1 Audio out (Mini Jack) x 1 Microphone in (Mini jack) x 1 10W Speaker x 1 LAN(RJ-45) x 1 (LAN Control & LAN Display) USB (Type A) x 1 USB (Type Mini B) x 1 DC 12V Trigger (3.5mm Jack) x 1 RS232 (DB-9pin) x 1 IR Receiver x 2 (Front+Rear)
Dimensions (WxHxD)	314.2x116x216.3mm (with feet)
Weight	7.28 lbs (3.3 Kg)
Power Supply	AC100 to 240V, 3.9A, 50 to 60 Hz
Power Consumption	370W(Normal), 310W(Eco), Standby<0.5W
Audible Noise	37/34 dBA (Normal/Economic mode)
On-Screen Display Languages	Arabic/Bulgarian/ Croatian/ Czech/ Danish/ Dutch/ English/ Finnish/ French/ German/ Greek/ Hindi/ Hungarian/ Italian/ Indonesian/ Japanese/ Korean/ Norwegian/ Polish/ Portuguese/ Romanian/ Russian/ Simplified Chinese/Spanish/ Swedish/ Turkish/ Thai/ Traditional Chinese (28 Languages)
Picture Mode	Dynamic/Presentation/sRGB/Cinema/User 1/User 2
Accessories (Standard)	Carry bag, Power Cord, Remote Control w Battery, VGA cable, User Manual CD, QSG, Lens Cover, Warranty Card
Accessories (Optional)	Spare Lamp Kit P/N: 5J.JCM05.001 Ceiling Mount P/N: 5J.J4N10.001 Carry bag P/N: 5J.J4R09.001 3D Glasses P/N: 5J.J9H25.001
UPC Code / Part #	8400460-3089-6 / 9H.JCM77.23A
Limited Warranty	3 Years Parts & Labor / 1 Year or 2,000 hours of lamp life

\*Lamp life results will vary depending on environmental conditions and usage. Actual product's features and specifications are subject to change without notice.

MX726 11-24-14-BQC



BenQ Canada Corp.

Tel: (416) 363-2367 www.BenQ.ca

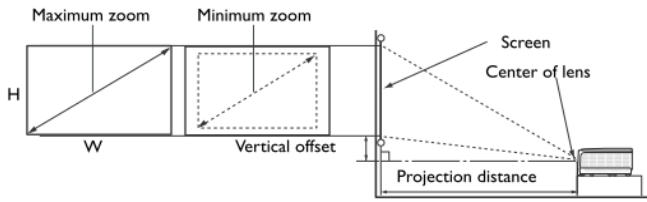
BenQ is a registered trademark of BenQ Corp. DLP is a registered trademark of Texas Instruments. All rights reserved. Product names, logos, brands, and other trademarks featured or referred to in this material are the property of their respective trademark holders. Specifications subject to change without notice.



Because it matters

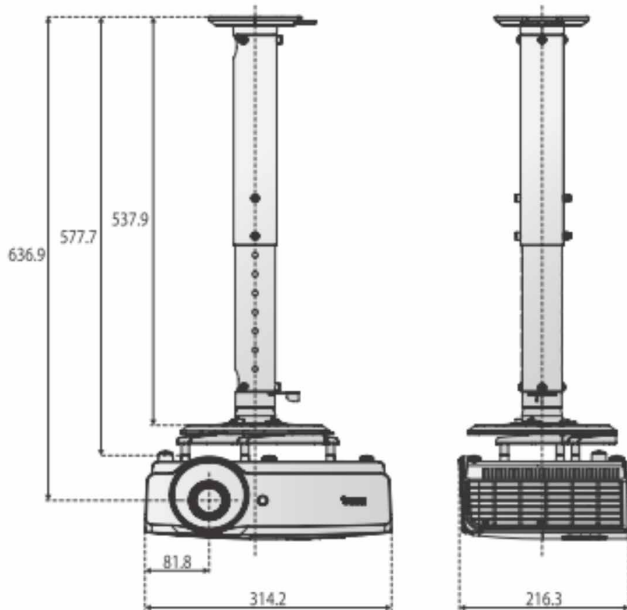
# MX726 Digital Projector

## Distance Chart



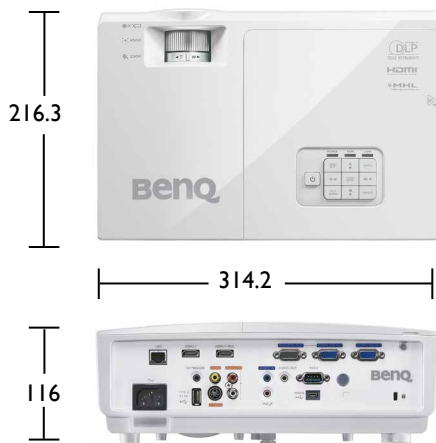
Screen Size				Distance from screen (mm)			offset (mm)
Inch	mm	W (mm)	H (mm)	Min length	Average	Min length	A (mm) @
							Wide mode
50	1270	1016	762	1524	1763	2002	106
60	1524	1219	914	1829	2115	2402	127
70	1778	1422	1067	2134	2468	2802	148
80	2032	1626	1219	2438	2820	3202	169
90	2286	1829	1372	2743	3173	3603	191
100	2540	2032	1524	3048	3526	4003	212
110	2794	2235	1676	3353	3878	4403	233
120	3048	2438	1829	3658	4231	4804	254
130	3302	2642	1981	3926	4583	5204	275
140	3556	2845	2134	4267	4936	5604	297
150	3810	3048	2286	4572	5288	6005	318
160	4064	3251	2438	4877	5641	6405	339
170	4318	3454	2591	5182	5993	6805	360
180	4572	3658	2743	5486	6346	7205	381
190	4826	3861	2896	5791	6698	7606	402
200	5080	4064	3048	6096	7051	8006	424
250	6350	5080	3810	7620	8814	10008	530
300	7620	6096	4572	9144	10577	12009	636

## Ceiling Mount Chart



## Dimensions

Units: mm



Because it matters