

DIGITAL PROJECTOR | MX661

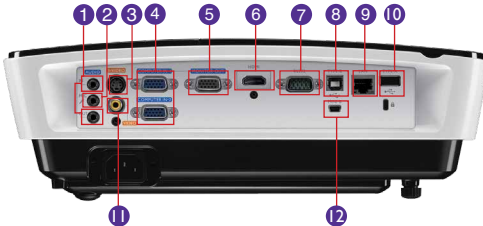


Features

- Native XGA (1024 x 768) Resolution
- 3,000 ANSI Lumens, 13,000:1 Contrast Ratio
- Wireless Display by MX661 QPresenter App
- LAN Control; HDMI, Speaker 2W x 1
- USB Display & Reader
- PC-less Presentation through Office Viewer



Input and Output Terminals



- | | |
|-----------------------------------|-----------------------------|
| 1 Audio In 1 & 2 (Mini Jack) | 7 RS232 (DB-9pin) |
| 2 Microphone | 8 USB (Type B) |
| 3 S-Video In (Mini DIN 4pin) | 9 LAN (RJ45) |
| 4 Computer In 1 & 2 (D-sub 15pin) | 10 USB (Type A) |
| 5 Monitor Out (D-sub 15pin) | 11 Composite Video In (RCA) |
| 6 HDMI | 12 USB (Type Mini B) |



Specifications

Projection System	DLP®	
Native Resolution	XGA(1024X768)	
Brightness	3,000 AL	
Contrast Ratio	13,000:1	
Display Color	1.07 Billion Colors	
Lens	F=2.51-2.69, f=21.95-24.18mm	
Aspect Ratio	Native 4:3 (5 aspect ratio selectable)	
Throw Ratio	1.97-2.17 (50" @2m)	
Image Size (Diagonal)	37"-300"	
Zoom Ratio	1.1:1	
Lamp Type	210W	
Lamp Life	3,500/5,000/6,500 hours (Normal/Eco/SmartEco)	
Keystone Adjustment	1D, Vertical +/- 40 degrees	
Projection Offset	130% ±5%	
Resolution Support	VGA(640 x 480) to UXGA(1600 x 1200)	
Horizontal Frequency	15-102 kHz	
Vertical Scan Rate	23-120 Hz	
Compatibility	HDTV Compatibility: 480i, 480p, 576i, 576p, 720p, 1080i, 1080p Video Compatibility: NTSC, PAL, SECAM	
Interface	Computer in (D-sub 15pin)	x 2 (Share with component)
	Monitor out (D-sub 15pin)	x 1
	HDMI	x 1
	Composite Video in (RCA)	x 1
	S-Video in (Mini DIN 4pin)	x 1
	Audio in (Mini Jack)	x 1
	Audio out (Mini Jack)	x 1
	Microphone in (Mini Jack)	x 1
	Speaker	2W x 1
	LAN (RJ45)	x 1 (LAN Control & LAN Display)
	USB (Type A)	x 1 (USB Reader & Wireless Display)
	USB (Type B)	x 1 (Download & Page up/down)
	USB (Type mini B)	x 1 (USB Display & Download)
	RS232 (DB-9pin)	x 1
	IR Receiver	x 1 (Front)
Dimensions (WxHxD)	327 x 126 x 231 mm	
Weight	2.6 kg	
Power Supply	AC100 to 240 V, 50 to 60 Hz	
Power Consumption	285W(typical), Standby<0.5W	
Audible Noise	34/32 dBA (Normal/Economic mode)	
On-Screen Display Languages	Arabic/Bulgarian/ Croatian/ Czech/ Danish/ Dutch/ English/ Finnish/ French/ German/ Greek/ Hindi/ Hungarian/ Italian/ Indonesian/ Japanese/ Korean/ Norwegian/ Polish/ Portuguese/ Romanian/ Russian/ Simplified Chinese/Spanish/ Swedish/ Turkish/ Thai/ Traditional Chinese (28 Languages)	
Picture Modes	Dynamic/Presentation/sRGB/Cinema/User 1/User 2	
Accessories (Standard)	Remote Control w/ Battery, Power Cord, User Manual CD, Quick Start Guide, Warranty Card, VGA(D-sub 15pin) Cable, Carrying Bag	
Accessories (Optional)	Spare Lamp Kit	P/N: 5J.J8F05.001
	Ceiling Mount	P/N: 5J.J4N10.001
	3D Glasses	P/N: 5J.J7L25.002
	Wireless Dongle_WDRT8192	P/N: 5J.J3F28.A01
UPC Code	8400460-2700-1 / 9H.J8F77.33A	
Limited Warranty	3-Year Parts & Labor / 1-Year or 2000 hours of lamp life	

*Lamp life results will vary depending on environmental conditions and usage. Actual product's features and specifications are subject to change without notice.

MX661 10-15-14-BQca



BenQ Canada Corp.

Tel: (416) 363-2367 www.BenQ.ca

BenQ is a registered trademark of BenQ Corp. DLP is a registered trademark of Texas Instruments. All rights reserved. Product names, logos, brands, and other trademarks featured or referred to in this material are the property of their respective trademark holders. Specifications subject to change without notice.

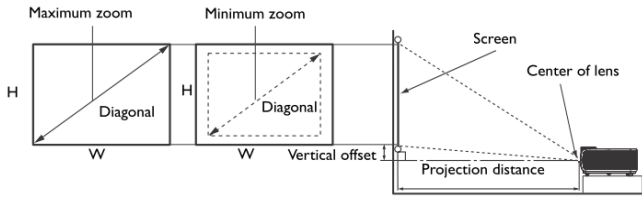


Because it matters

MX66I Digital Projector

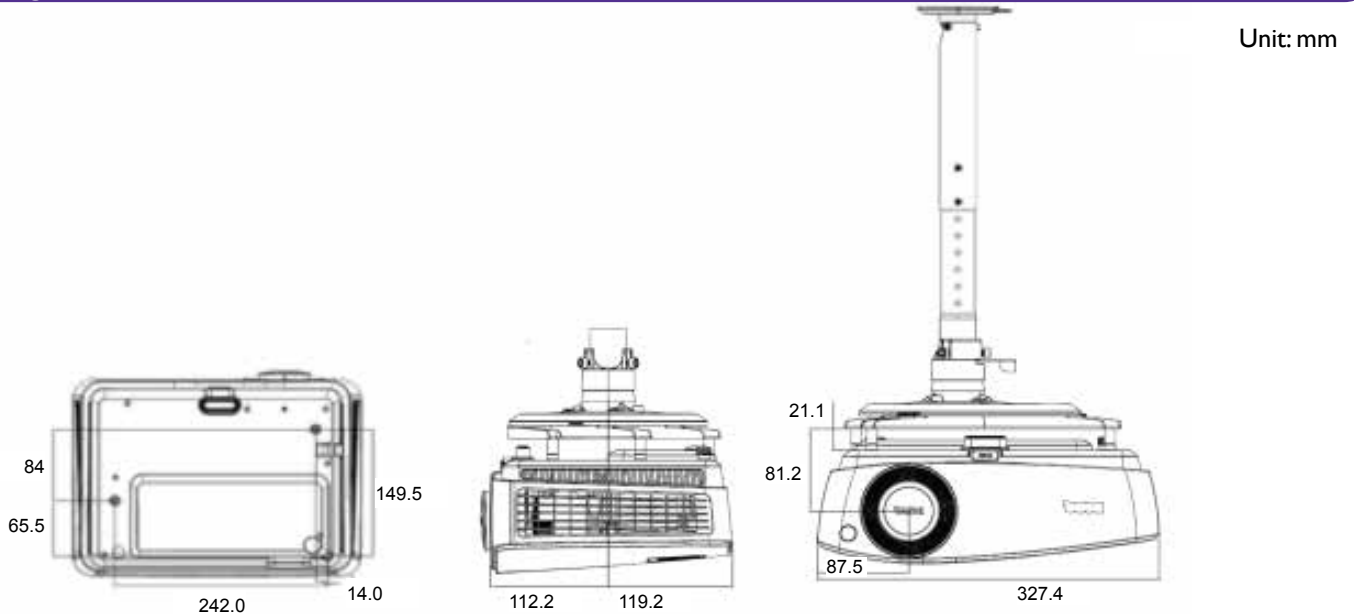
Distance Chart

The screen aspect ratio is 4:3 and the projected picture is 4:3



Screen Size				Distance from screen (mm)			Vertical offset (mm)
Diagonal		W (mm)	H (mm)	Min distance (Max zoom)	Average	Max distance Min zoom	
Inch	mm						
30	762	610	457	1200	1260	1320	69
40	1016	813	610	1600	1680	1760	91
50	1270	1016	762	2000	2100	2200	114
60	1524	1219	914	2400	2520	2640	137
80	2032	1626	1219	3200	3360	3520	183
100	2540	2032	1524	4000	4200	4400	229
120	3048	2438	1829	4800	5040	5280	274
150	3810	3048	2286	6000	6300	6600	343
200	5080	4064	3048	8000	8400	8800	457
220	5588	4470	3353	8800	9240	9680	503
250	6350	5080	3810	10000	10500	11000	572
300	7320	6096	4572	12000	12600	13200	686

Ceiling Mount Chart



Dimensions

